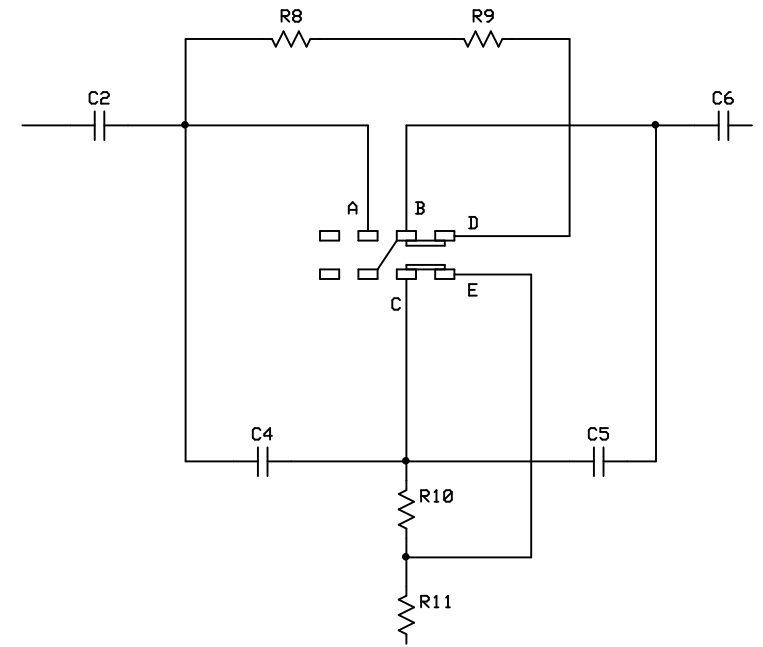
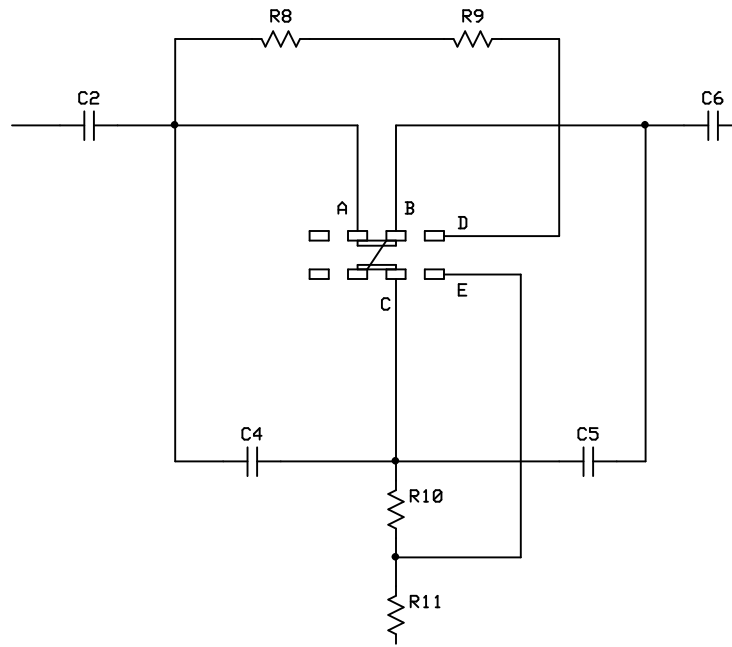
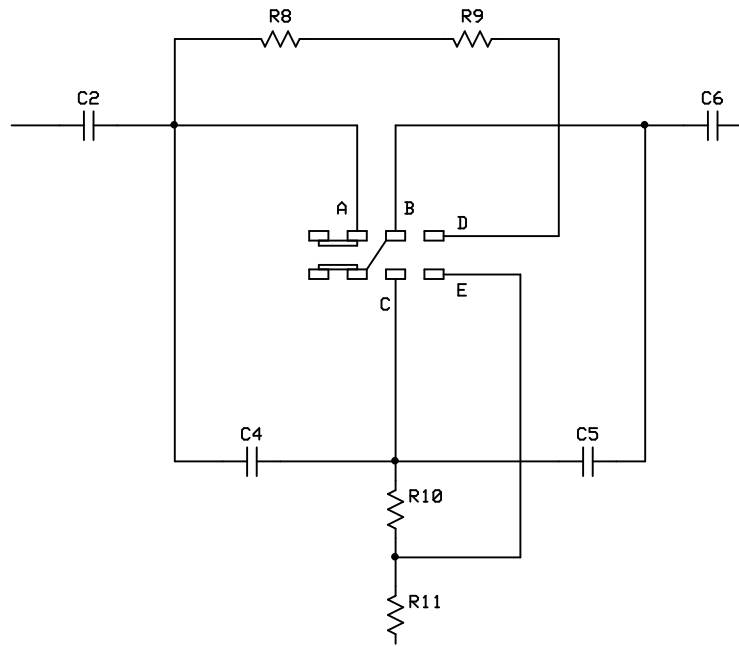


DN	CTR	UP
2-3	2-3	2-1
5-6	5-4	5-4
8-9	8-9	8-7
11-12	10-11	11-10
CUT	OFF	U LOW
	A*B*C	B*D C*E



Company Name		
Schematic Name		
Designer's name	Rev 1.0 7/2/2025	Page # or name