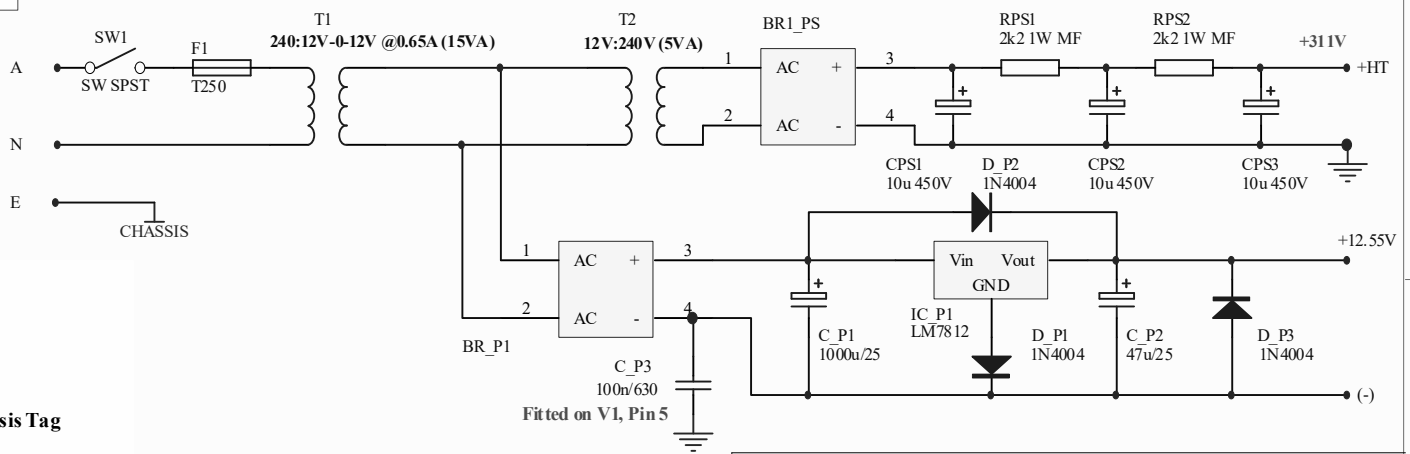


Calibration: 400Hz @ -20dBu (77mV); Bass, Mid and Treb @ 12 o'clock
Minimum Sensitivity: TP1 236mV (9.6dB gain) TP2 1.04V
Maximum Sensitivity: TP1 1.78V (26.4dB gain) TP2 7.72V

- NOTES:**
- 1) Heater supply 12.6VDC to pins 4 and 5 (Pin 9 not terminated)
 - 2) C1 is optional, Ces at JK1 is optional
 - 3) R10 (dual) in case of failure, Hi Volts @ C5, to protect LV caps at TC
 - 4) V1 ECC83, V2 ECC83 or ECC82
 - 5) All signal resistors Metal Film as indicated
 - 6) Floating Heater Supply (BEST FOR SRPP) fit C_P3 @ V1 Pin 5 and V1 Chassis Tag
 - 7) For extra gain in front end, adj VR1 up to 470k
 - 8) *** Fit R2 @ V1A Pin 2 and R16, C8, C9 and C10 @ TC Assembly
 - 9) Fit EARTH link beside CPS2 HV 0V to chassis



(c) GLASS AUDIO 2005

Title		
BASS_PREAMPLIFIER_GLASS_DESIGN		
Size	Number	Revision
A4		
Date:	20/07/2025	Sheet of
File:	F:\RFB Bass\BASSPRE_FINAL_060302.SCH	By: MMC