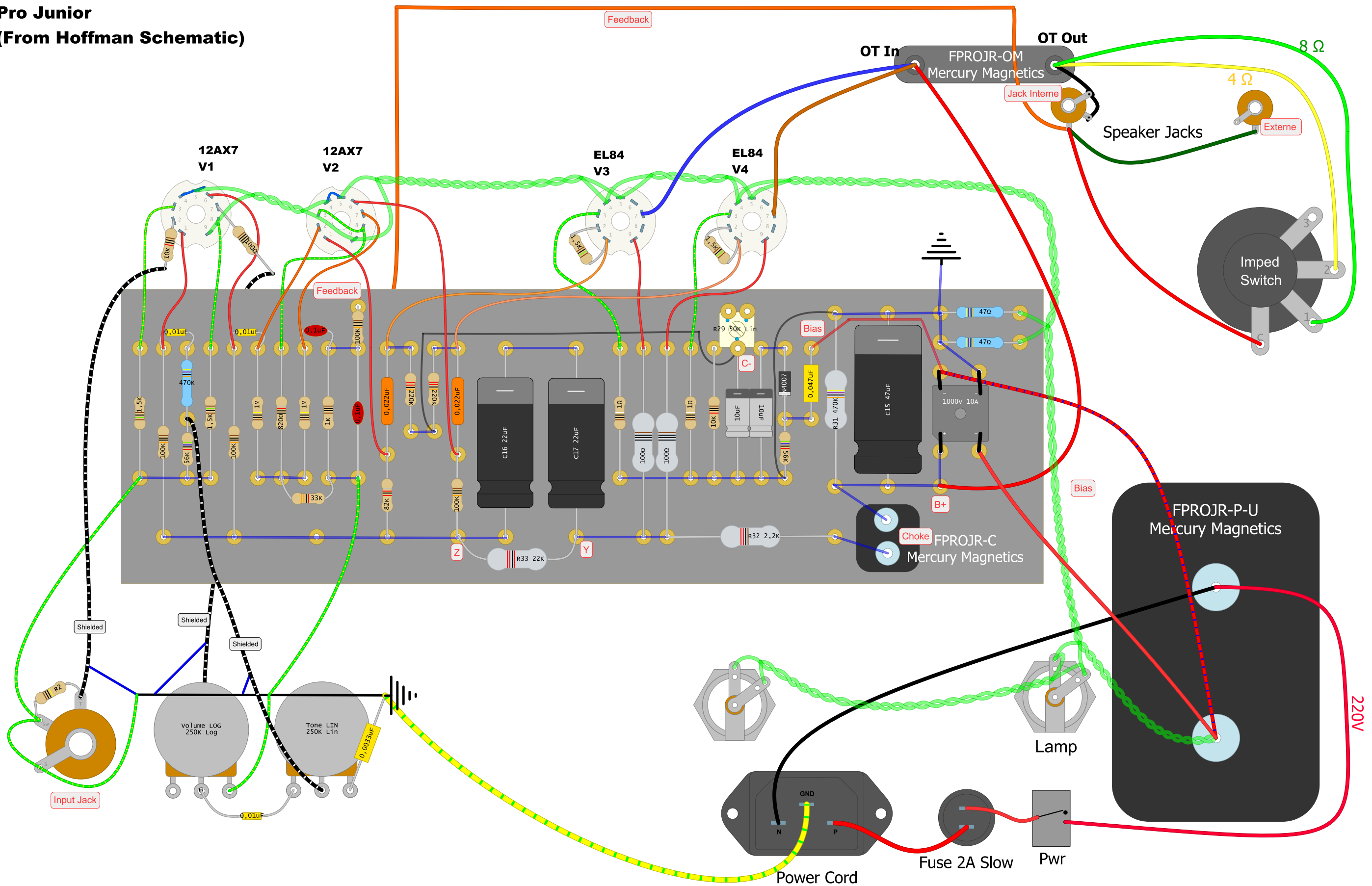


**Pro Junior**  
**(From Hoffman Schematic)**



Power Cord  
 Red = Phase  
 Black = Neutre  
 G/Y = Ground

