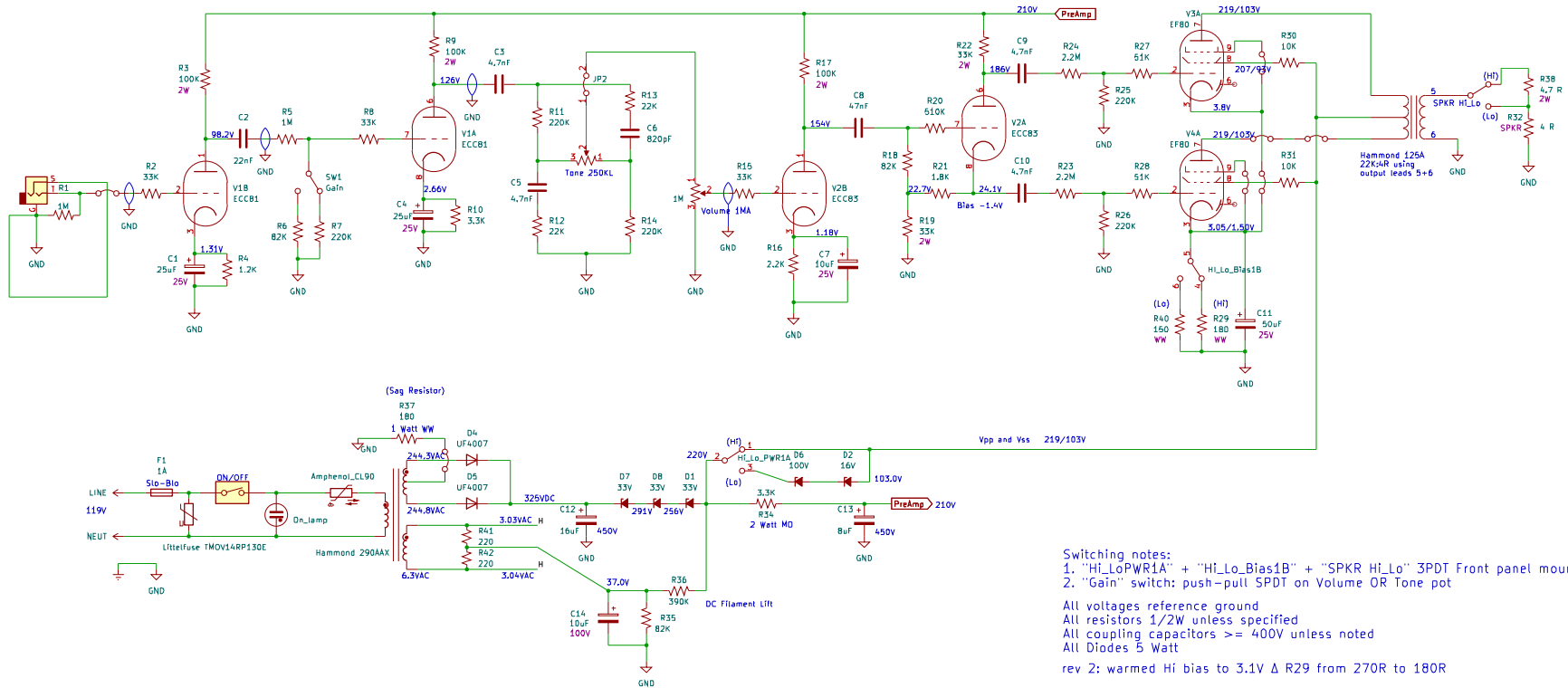


EF80 Micro/Nano P-P Class AB1 Guitar Amplifier rev3
c. GrayDigger 2025



Switching notes:
 1. "HiLoPWR1A" + "HiLoBias1B" + "SPKR HiLo" 3PDT Front panel mount
 2. "Gain" switch: push-pull SPDT on Volume OR Tone pot

All voltages reference ground
 All resistors 1/2W unless specified
 All coupling capacitors >= 400V unless noted
 All Diodes 5 Watt

rev 2: warmed Hi bias to 3.1V Δ R29 from 270R to 180R

as built with voltages	
includes proportional low power switching	
c GrayDigger 2025	
Sheet: /	
Files: EF80 Mini Practice Amp V2 rev 4 080825.kicad_sch	
Title: EF-80 Micro/Nano Practice Amp	
Size: USLedger	Date: 2025-08-21
KiCad E.D.A. 9.0.3	Rev: 3.1 10: 1/1