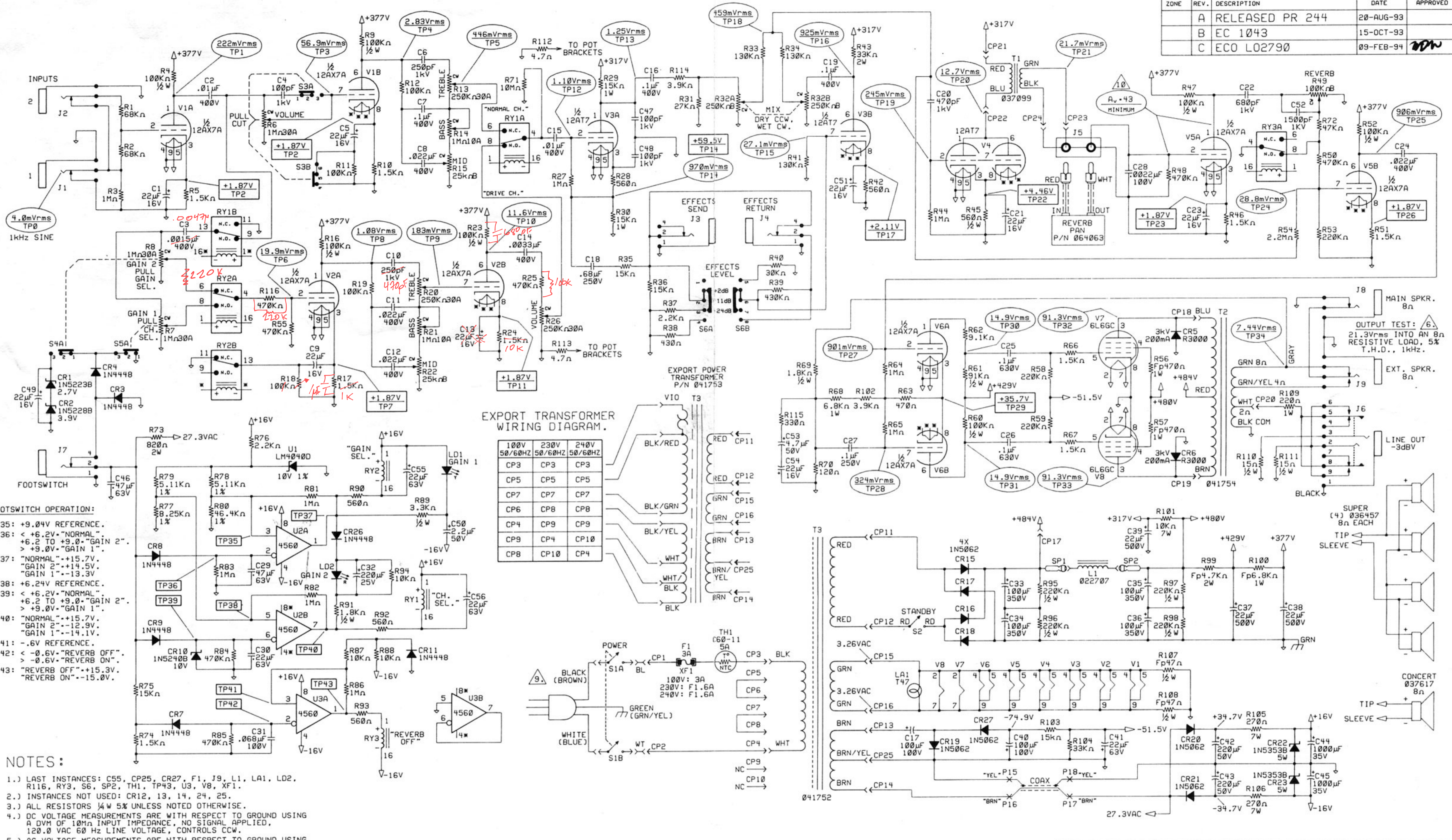


ZONE	REV.	DESCRIPTION	DATE	APPROVED
A	RELEASED PR 244		20-AUG-93	
B	EC 1043		15-OCT-93	
C	ECO L02790		09-FEB-94	<i>WV</i>



FOOTSWITCH OPERATION:

TP35: +9.04V REFERENCE.
 TP36: < +6.2V - "NORMAL" >
 > +6.2 TO +9.0 - "GAIN 2" >
 > +9.0V - "GAIN 1" >

TP37: "NORMAL" - +15.7V.
 "GAIN 2" - +14.5V.
 "GAIN 1" - +13.3V

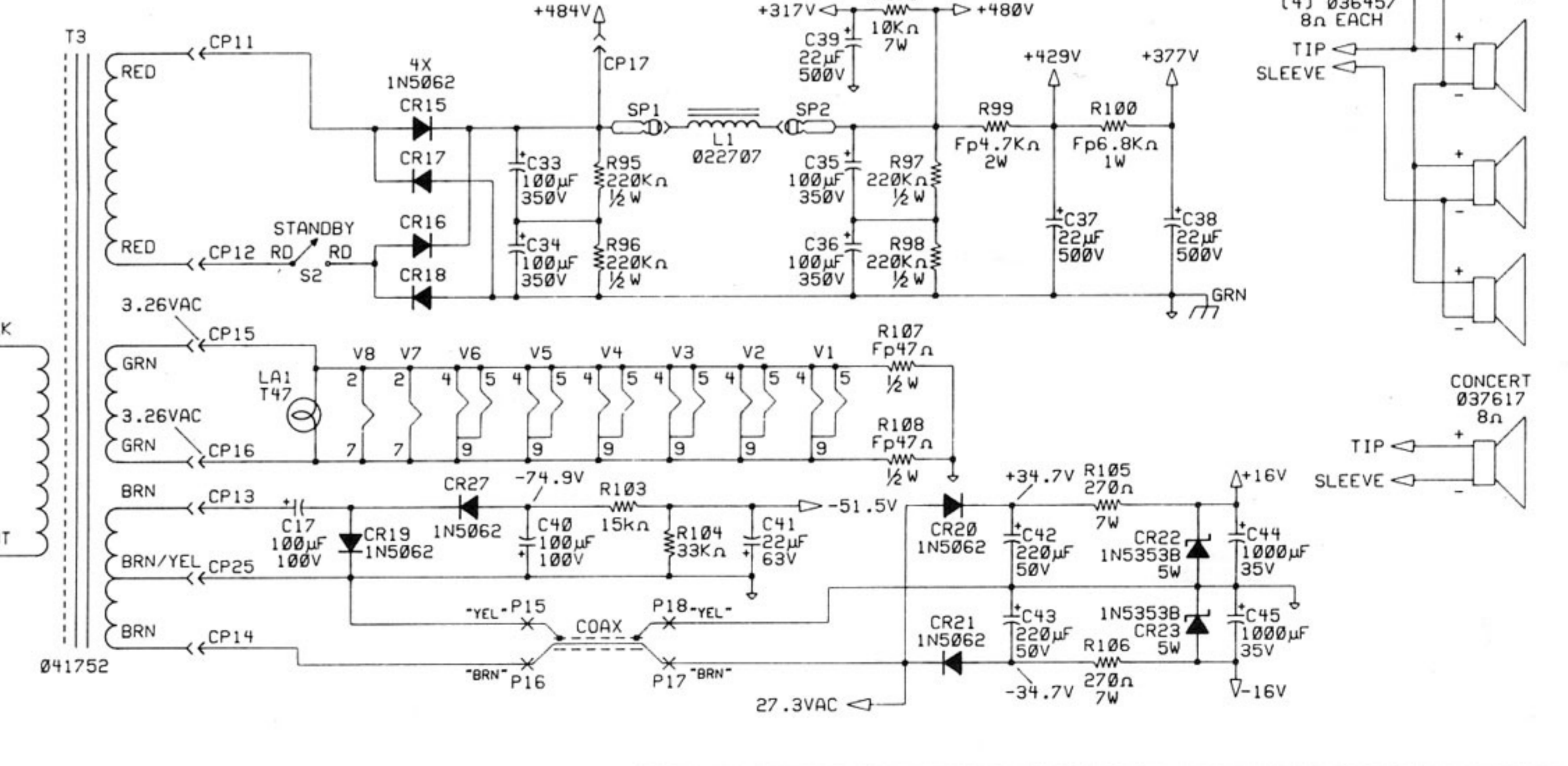
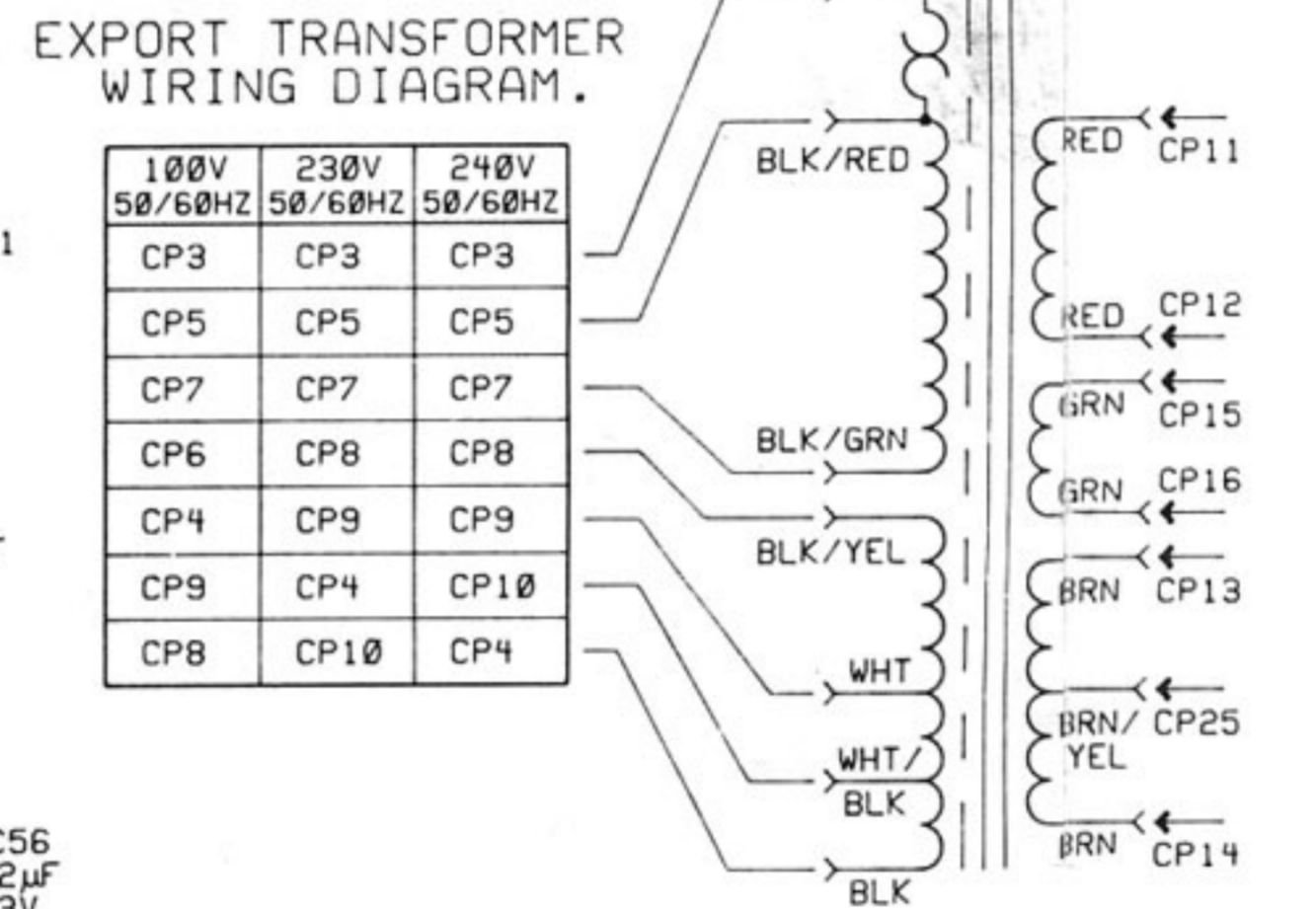
TP38: +6.24V REFERENCE.
 TP39: < +6.2V - "NORMAL" >
 > +6.2 TO +9.0 - "GAIN 2" >
 > +9.0V - "GAIN 1" >

TP40: "NORMAL" - +15.7V.
 "GAIN 2" - +12.9V.
 "GAIN 1" - +14.1V

TP41: -.6V REFERENCE.
 TP42: < -.6V - "REVERB OFF" >
 > -.6V - "REVERB ON" >

TP43: "REVERB OFF" - +15.3V.
 "REVERB ON" - +15.0V.

- NOTES:**
- 1.) LAST INSTANCES: C55, CP25, CR27, F1, J9, L1, LA1, LD2, R116, RY3, S6, SP2, TH1, TP43, U3, V8, XF1.
 - 2.) INSTANCES NOT USED: CR12, 13, 14, 24, 25.
 - 3.) ALL RESISTORS 1/4W 5% UNLESS NOTED OTHERWISE.
 - 4.) DC VOLTAGE MEASUREMENTS ARE WITH RESPECT TO GROUND USING A DVM OF 10MΩ INPUT IMPEDANCE, NO SIGNAL APPLIED, 120.0 VAC 60 Hz LINE VOLTAGE, CONTROLS CCW.
 - 5.) AC VOLTAGE MEASUREMENTS ARE WITH RESPECT TO GROUND USING A DVM OF 1MΩ INPUT IMPEDANCE, EFFECTS LEVEL SELECTOR SWITCH AT -11 dB, ALL CONTROLS AT 50% ROTATION (BETWEEN "5" AND "6"), "GAIN 2" SELECTED, REVERB OFF, SIGNAL APPLIED AT J1.
 - 6.) FOR OUTPUT TEST: 86 mVrms SINE AT EFFECTS RETURN JACK, EFFECTS LEVEL SELECTOR SWITCH AT -24 dB, MIX CONTROL FULL CW ("WET").
 - 7.) VOLTAGES MAY VARY ±20%.
 - 8.) SIX-DIGIT NUMBERS ARE FENDER PART NUMBERS.
 - 9.) COLORS IN PARENTHESES ARE FOR 230V AND 240V UNITS.
 - 10.) GAIN BETWEEN V5A PINS 1 AND 2 SHOULD BE 43 MINIMUM.



DATABASE FILE: 22445.DBF CHECKED BY: <i>WV</i> DATE: 2-14-94 APPROVED: <i>WV</i> DATE: 2-14-94 TOLERANCES: UNLESS OTHERWISE NOTED X.XX ±0.050" X.XXX ±0.010" X.XXX ±0.005" ANGLES ±0.500°	PROPRIETARY THIS DRAWING DOCUMENT CONTAINS INFORMATION WHICH IS PROPRIETARY TO AND IS THE PROPERTY OF THE FENDER MUSICAL INSTRUMENTS CO. AND MAY NOT BE USED, REPRODUCED OR DISCLOSED IN ANY MANNER WITHOUT THE EXPRESSED WRITTEN CONSENT FROM: FENDER MUSICAL INSTRUMENTS CO. 1138 COLUMBIA ST. BREA, CALIFORNIA 92621 NO OUTS. NO CLONING. NEXT HIGHER ASSEMBLY: SUPER AND CONCERT GUITAR AMPS.	Fender MUSICAL INSTRUMENTS 1138 Columbia Street Brea, CA 92621 TITLE: SCHEMATIC DIAGRAM '93 SUPER/CONCERT. SIZE: DRAWN: WILKENS DRAWING NUMBER: 041743 REV. C ENGR: WILKENS CREATED: 10-FEB-93 PLOTTED: 07-FEB-94 SHEET 1 OF 1
---	--	---