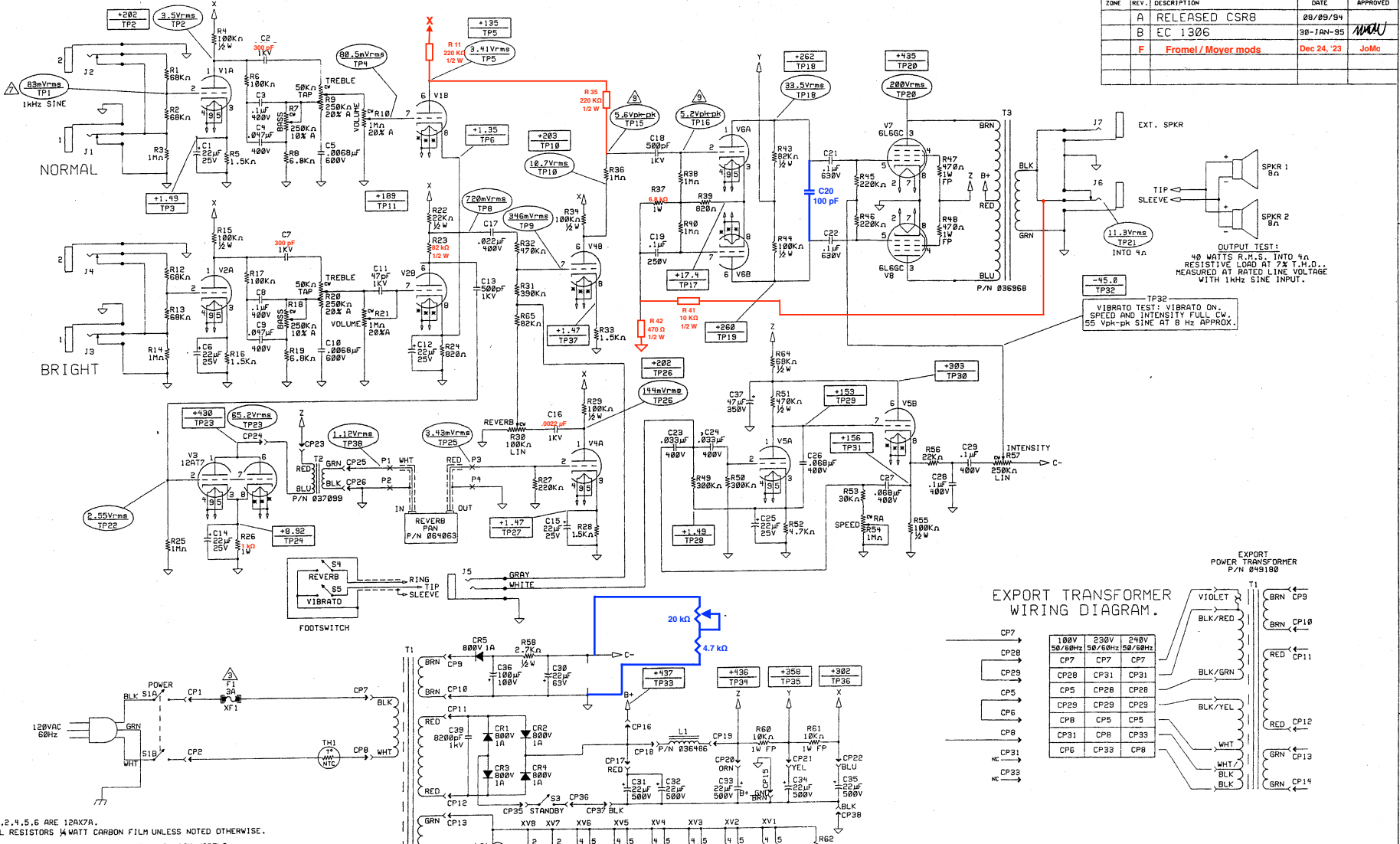


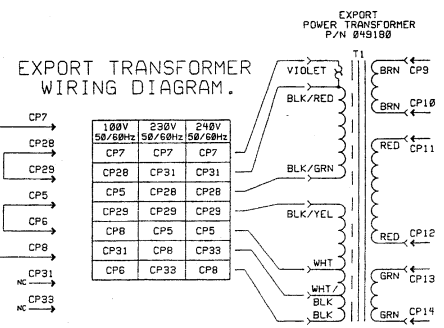
8 7 6 5 4 3 2 1

REVISIONS				
ZONE	REV.	DESCRIPTION	DATE	APPROVED
	A	RELEASED CSR8	08/09/94	
	B	EC 1306	30-JAN-95	MMU
	F	Fromel / Moyer mods	Dec 24, '23	JoMo



OUTPUT TEST:
40 WATTS R.M.S. INTO 4Ω
RESISTIVE LOAD AT 7X T.H.D.,
MEASURED AT RATED LINE VOLTAGE
WITH 1KHz SINE INPUT.

VIBRATO TEST: VIBRATO ON,
SPEED AND INTENSITY FULL CW,
55 Vpk-pk SINE AT 0 Hz APPROX.



NOTES: 1.) V1,2,4,5,6 ARE 12AX7A.
2.) ALL RESISTORS 1/4 WATT CARBON FILM UNLESS NOTED OTHERWISE.
3.) EXTERNAL LINE FUSE 3 AMP IN 100V AND 120V MODELS.
F1.6A IN 230V AND 240V MODELS.
(NONE)
4.) TP5 DELETED.
5.) ALL VOLTAGES MEASURED WITH RESPECT TO GROUND USING A DVM OF AT LEAST 1MΩ AC INPUT IMPEDANCE AND OF 10 MΩ DC INPUT IMPEDANCE. VOLTAGES MAY VARY ± 20%.
TEST CONDITIONS:
LINE VOLTAGE AT 120.0 VAC AT 60 HZ.
REVERB AND VIBRATO OFF.
REVERB AND VIBRATO CONTROLS FULL CW.
ALL VOLUME AND TONE CONTROLS AT 50% ROTATION.
DC VOLTAGES MEASURED WITH NO AC SIGNAL PRESENT.

AC TEST POINTS TP1,2,4 MEASURED WITH NO SIGNAL PRESENT AT THE BRIGHT CHANNEL INPUT. VOLTAGE AT TP1 ADJUSTED TO OBTAIN 11.3 Vrms OUTPUT VOLTAGE (ONSET OF CLIPPING).
(NONE)
AC VOLTAGES AT TP15, TP16 MEASURED WITH AN OSCILLOSCOPE
AC VOLTAGES AT TP15, TP16 MEASURED WITH AN OSCILLOSCOPE
SIX-DIGIT NUMBERS ARE FENDER PART NUMBERS.

1.) INSTANCES DELETED: CP3, CP4, CP5, CP6, R11, R35, R11, R12, C20, C38, CP32

DATABASE FILE: CSR8S.DBF
CHECKED BY: JMH
DATE: 2-20-95
APPROVED: [Signature]
DATE: 2/20/95

TOLERANCES: UNLESS OTHERWISE SPECIFIED:
X.X .50%
X.XX .25%
X.XXX .10%
ANGLES .50°

PROPRIETARY
THIS DRAWING DOCUMENT CONTAINS INFORMATION WHICH IS PROPRIETARY TO FENDER MUSICAL INSTRUMENTS CO. AND MAY NOT BE REPRODUCED OR DISCLOSED TO ANY OTHER PERSON WITHOUT THE EXPRESS WRITTEN CONSENT FROM FENDER MUSICAL INSTRUMENTS CO.
FENDER MUSICAL INSTRUMENTS CO.
2821 RESEARCH DRIVE
CORONA, CA 91708 USA

MUSICAL INSTRUMENTS
2821 Research Drive
Corona, CA 91708 USA

TITLE: SCHEMATIC
CUSTOM VIBROLUX REVERB AMPLIFIER

SIZE: DRAWN: WH/HMW
D 210045
ENGR: ZINKEY
DRAWING NUMBER: 047554 B
REV. 1

SCALE: NONE
PLOTTED: 31-JAN-95
SHEET 1 OF 1

0047557000