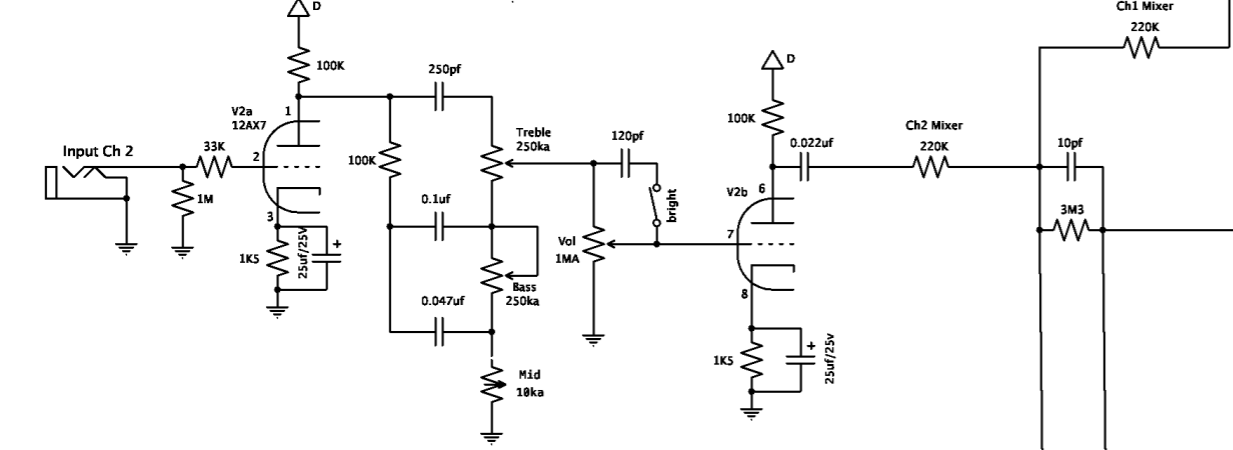
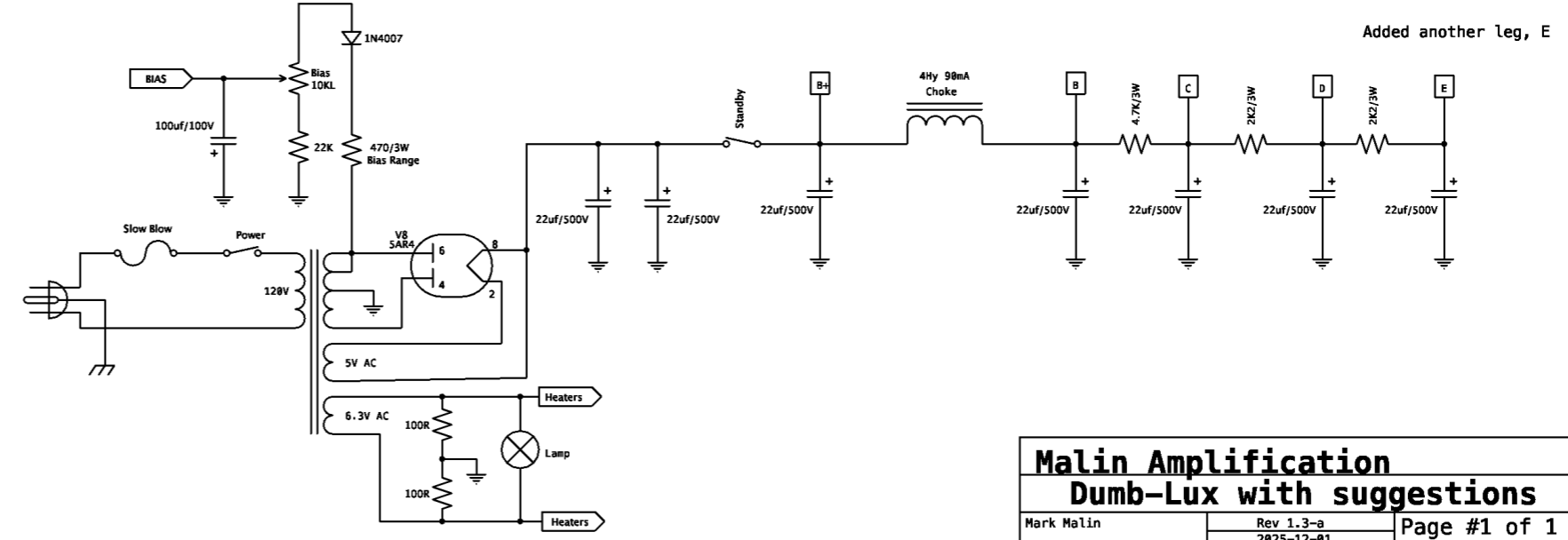
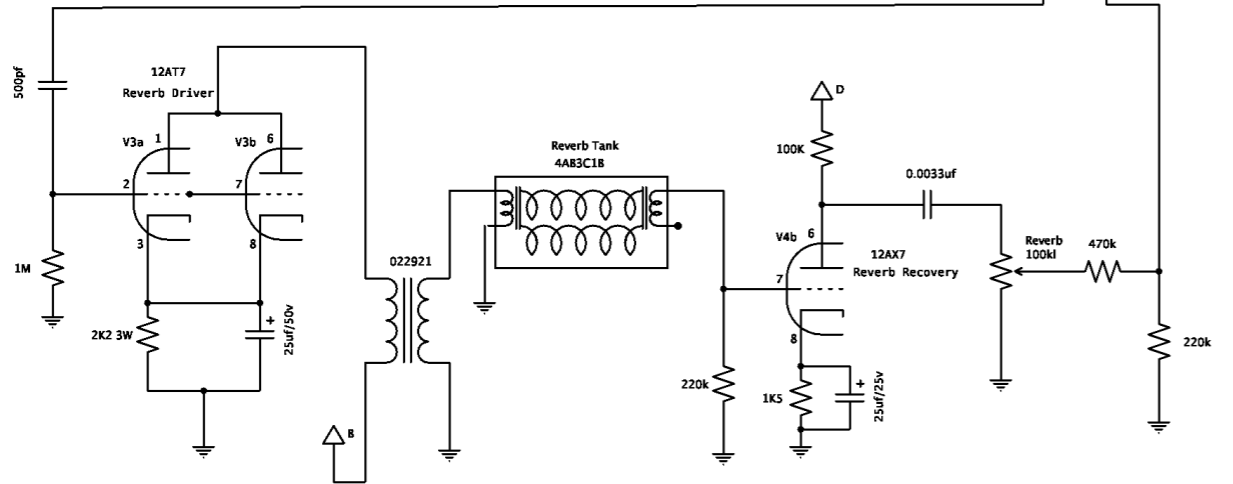
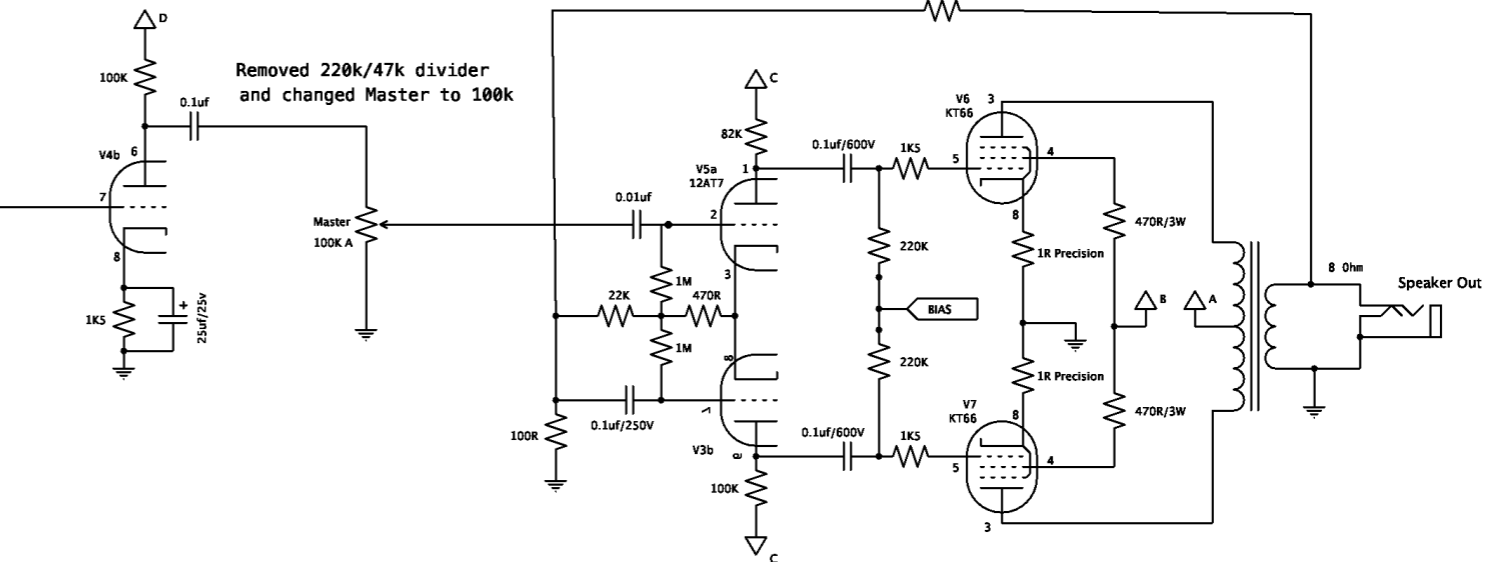


I read Robinette's mods. He suggested keeping the 220K resistors to keep the 2 channels from interacting



Removed 220k/47k divider and changed Master to 100k



Added another leg, E