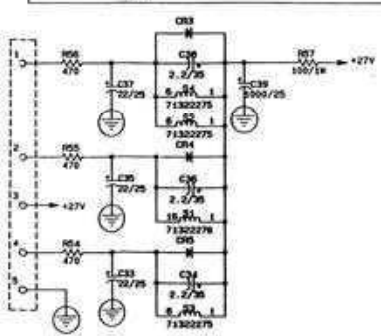
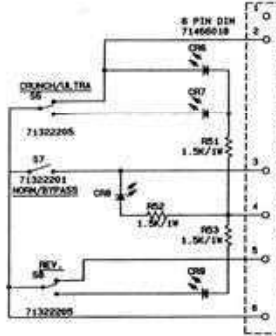


NOTES:
 ALL RESISTORS 1/4W UNLESS NOTED
 ALL RESISTORS IN OHMS UNLESS NOTED
 ALL POTS ARE LINEAR UNLESS NOTED
 ALL CAPACITORS IN MFD UNLESS NOTED
 ALL OHMS SHOWN UNLESS NOTED
 VOLTAGES MAY VARY FROM UNIT TO UNIT
 LAST REFERENCE DESIGNATOR USED
 R-# DENOTES 120W AMP ONLY
 H-# DENOTES 120W AMP ONLY
 T-# DENOTES 120W AMP ONLY



TRIUMPH® 60/120
 SINGLE UNIT & TOP BOX VERSIONS
 POWER SUPPLY NO. #9850581 (3-22-88)
 60W TUBE NO. #9850550 (3-4-87)
 120W TUBE NO. #9850560 (3-4-87)
 PREAMP NO. #9850580 (3-19-87)
 CONTROL NO. #9850522 (4-13-88)
 FOOTSWITCH NO. #9850560 (5-25-87)

PEAVEY ELECTRONICS CORP.
 711 A ST.
 MERIDIAN, MS
 DRAWN BY DRH DATE 8-15-88
 C.B. DR DRH
 CK. BY [Signature]
 APPR. BY [Signature]