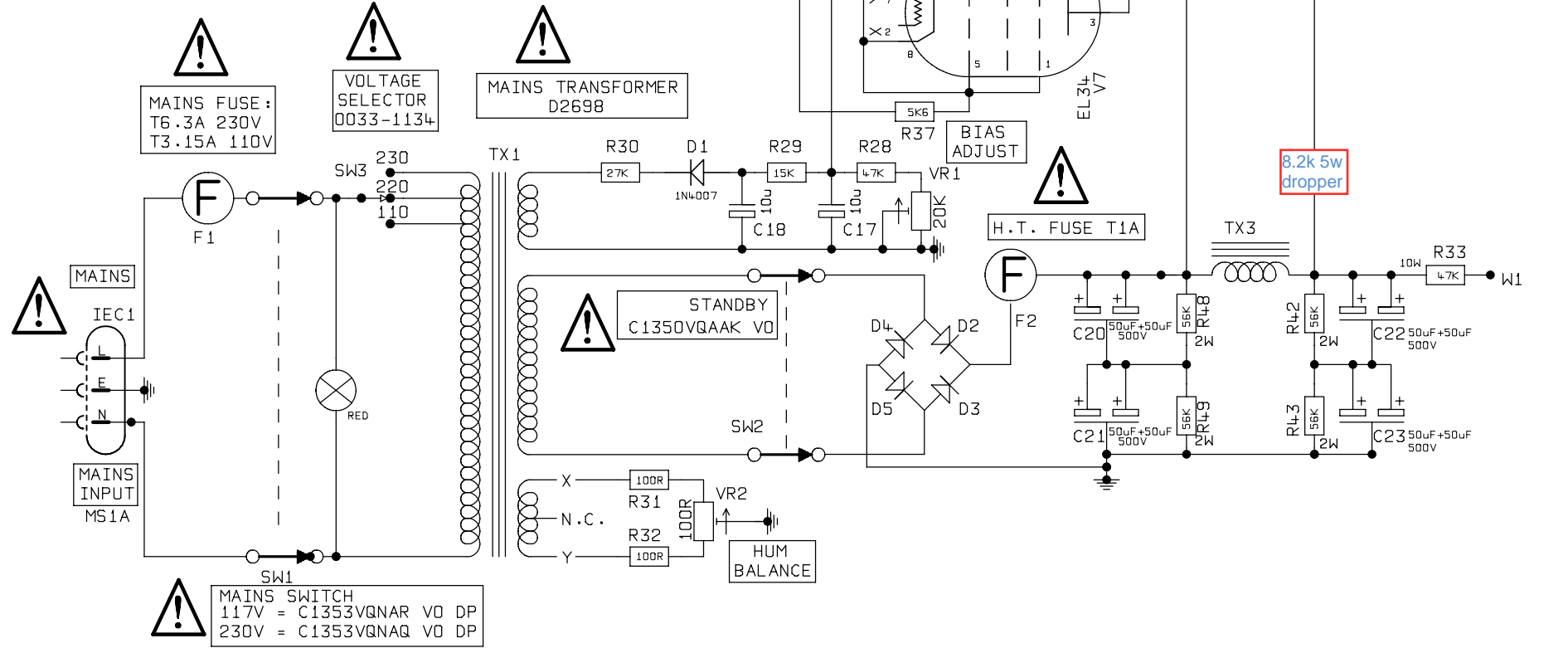
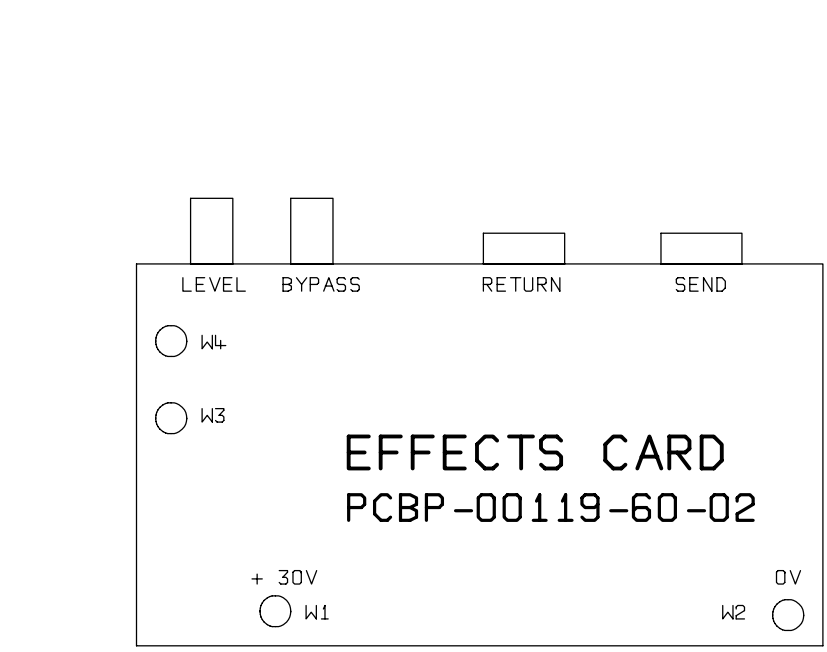
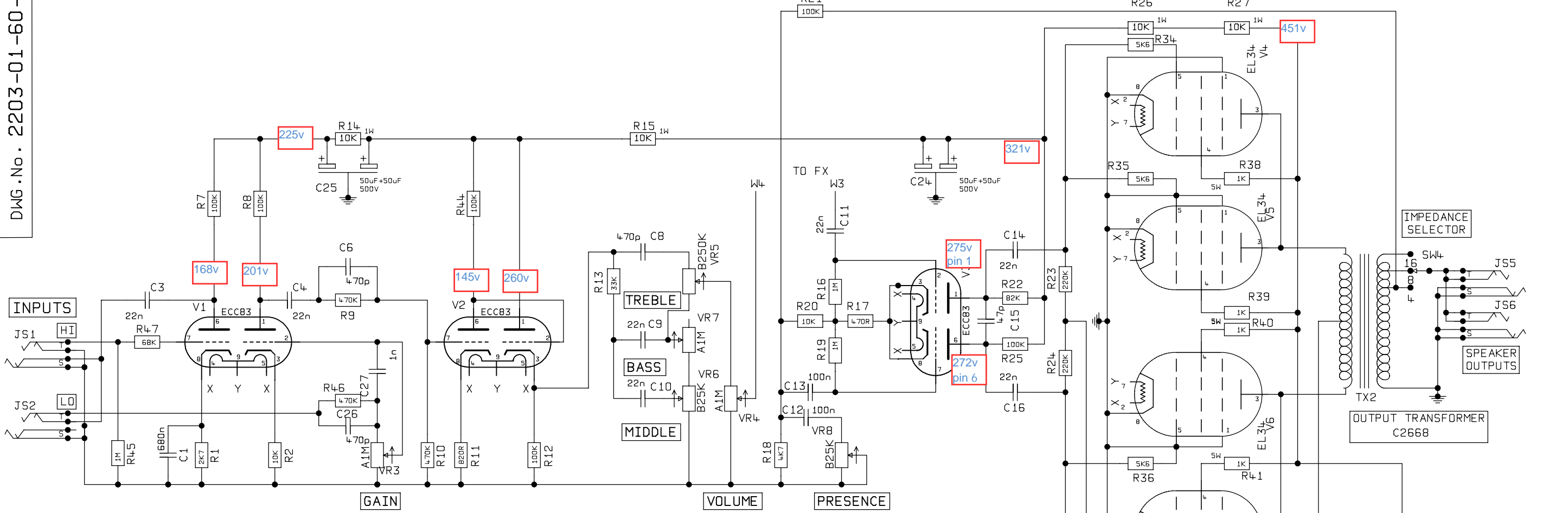
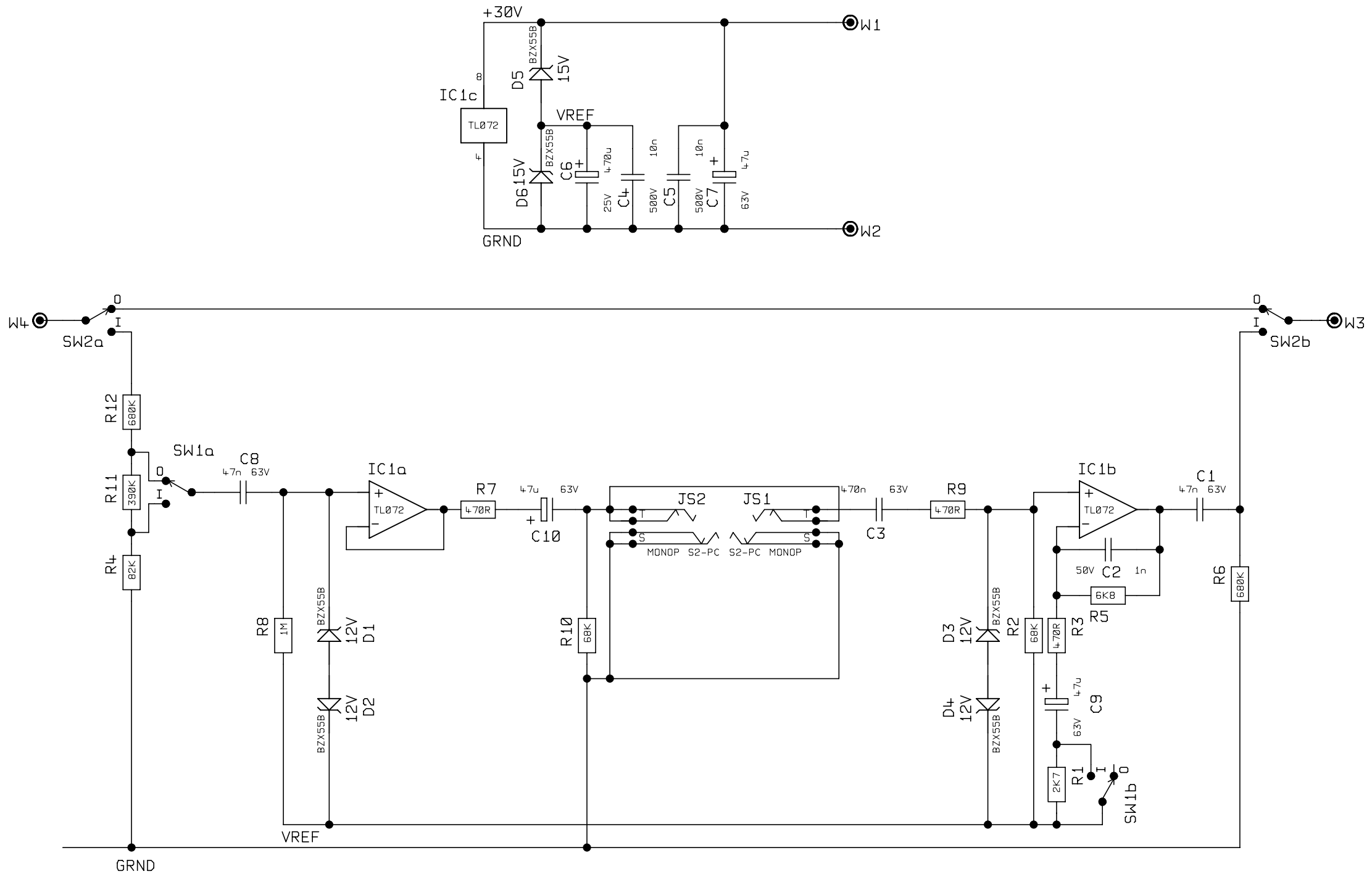


DWG.No. 2203-01-60-02



DRAWN M BALLINGER	DATE 5-3-02	5 2382	29-4-03	<p>MARSHALL AMPLIFICATION PLC DENBIGH ROAD, BLETCHLEY, MILTON KEYNES, MK1 1DQ. TEL (01908) 375411 FAX (01908) 376118</p>	TITLE CIRCUIT DIAG.
MODEL 2203-01	ISS ECO NUMBER	4 2292	27-1-03		DWG.No 2203-01-60-02
		3 2139	24-6-02		ISS 5
		2 2100	28-3-02		

DWG.No. PCBP-00119-60-02



DRAWN	DATE		
MODEL	1959-01/1987-01	2	24-11
	2203-01/2203ZW	ISS	ECO NUMBER
			DATE



TITLE	EFFECTS LOOP CIRCUIT
DWG.No	PCBP-00119-60-02
ISS	2