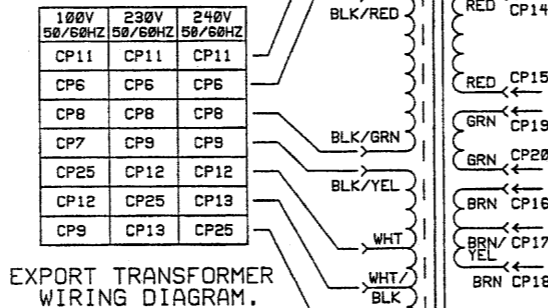
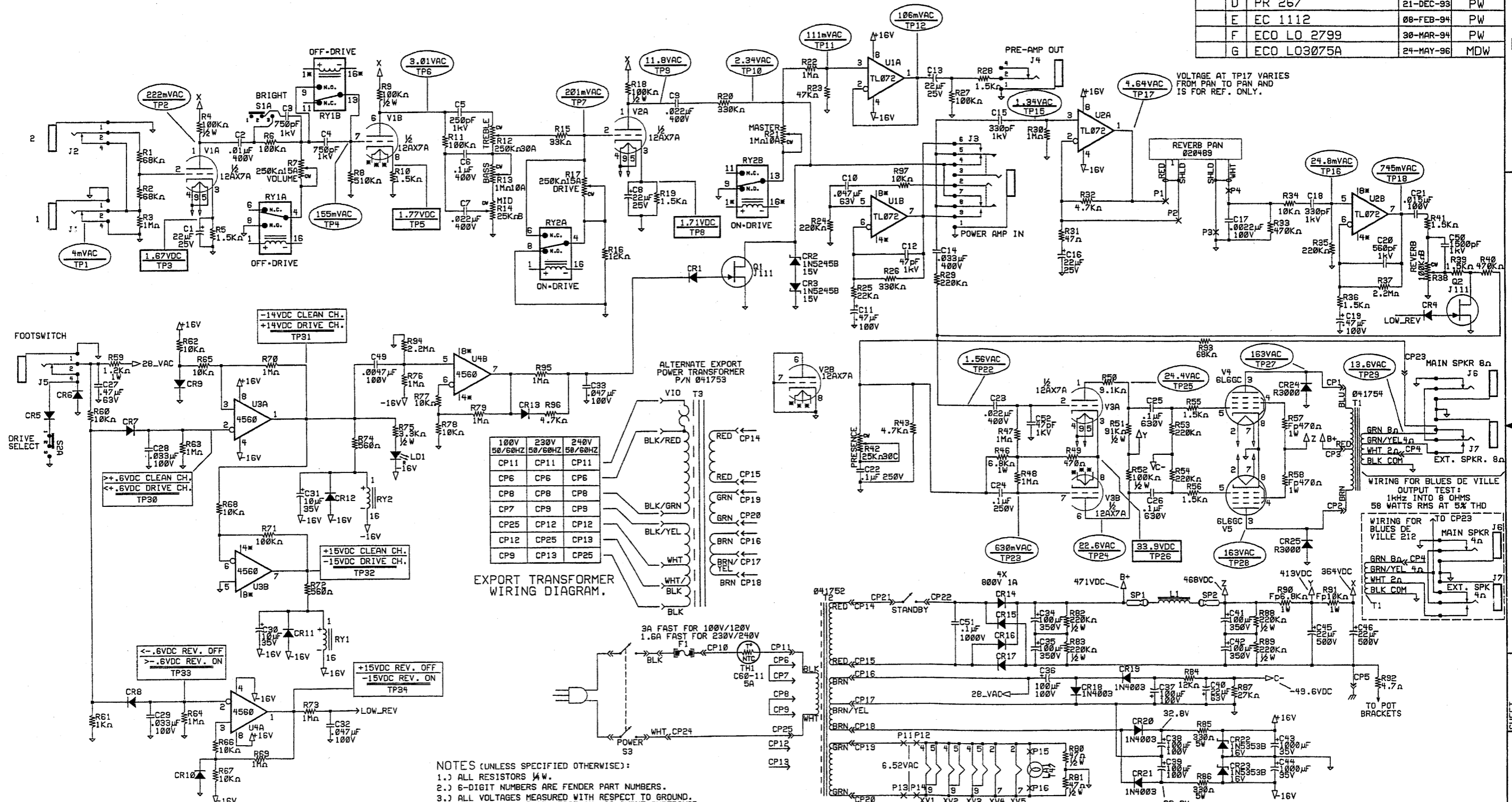


REVISIONS				
ZONE	REV.	DESCRIPTION	DATE	APPROVED
	A	RELEASED PR #247	17-SEP-93	PW
	B	EC 1067	11-NOV-93	PW
	C	EC 1084	09-DEC-93	PW
	D	PR 267	21-DEC-93	PW
	E	EC 1112	08-FEB-94	PW
	F	ECO LO 2799	30-MAR-94	PW
	G	ECO LO3075A	24-MAY-96	MDW

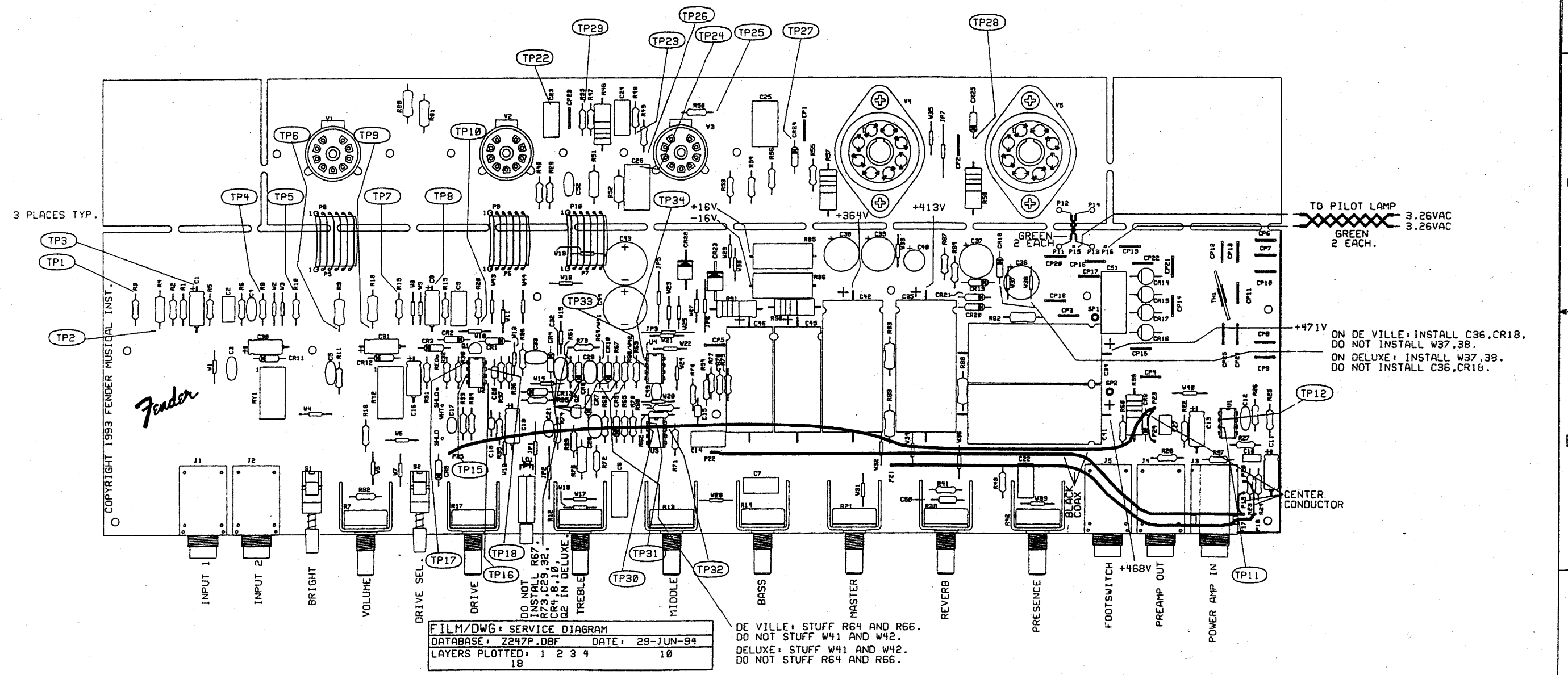


- NOTES (UNLESS SPECIFIED OTHERWISE):**
- 1.) ALL RESISTORS 1/4W.
 - 2.) 6-DIGIT NUMBERS ARE FENDER PART NUMBERS.
 - 3.) ALL VOLTAGES MEASURED WITH RESPECT TO GROUND, USING A DVM OF AT LEAST 1MΩ AC INPUT IMPEDANCE AND 10MΩ DC INPUT IMPEDANCE. TEST CONDITIONS: LINE VOLTAGE 120VAC 60HZ. FTSW CONNECTED. DRIVE CH. SEL., REV. OFF, BRIGHT SW. OFF. ALL CONTROLS 50% ROT. EXCEPT REVERB 0%. SUPPLY AND BIAS VOLTAGES MAY VARY +5%, -10%. SIGNAL VOLTAGES MAY VARY ±20%.
 - 4.) X WITH INSTANCE NAME = FLYWIRE CONNECTION.
 - 5.) INSTANCES NOT USED: R44,45,C47,48,TP13,14.
 - 6.) LAST INSTANCES: RY2,U4,Q2,TH1,R97,C52,CR25,T2,S3,SP25,V5,LA1,P16,J7,F1.
 - 7.) ALL DIODES 1N4448.

DATABASE FILE: 2247S.DBF CHECKED BY: <i>[Signature]</i> DATE: 29-DEC-97 APPROVED: <i>[Signature]</i> DATE: 29-DEC-97 TOLERANCES: UNLESS OTHERWISE NOTED X.X ±0.050" X.XX ±0.010" X.XXX ±0.005" ANGLES ±0.500°	PROPRIETARY THIS DRAWING DOCUMENT CONTAINS INFORMATION WHICH IS PROPRIETARY TO AND IS THE PROPERTY OF THE FENDER MUSICAL INSTRUMENTS CO. AND MAY NOT BE USED, REPRODUCED OR DISCLOSED IN ANY MANNER WITHOUT THE EXPRESSED WRITTEN CONSENT FROM: FENDER MUSICAL INSTRUMENTS CO. 1195 CALLEJA ST. BREA, CALIFORNIA 92621 ROCK, CA.	MUSICAL INSTRUMENTS 1130 Columbia Street Brea, CA 92621 TITLE: SCHEMATIC DIAGRAM BLUES DE VILLE AND BLUES DE VILLE 212 SIZE: D DRAWN BY: P.WIERS ENG. BY: P.WIERS DRAWING NUMBER: 047003 REV.: G NEXT HIGHER ASSEMBLY: BLUES DE VILLE/ BLUES DE VILLE 212 SCALE:
--	--	--

SHEET 1 OF 1
PART NO. 0047004000

REVISIONS				
ZONE	REV.	DESCRIPTION	DATE	APPROVED
	A	RELEASED PR247	17-SEP-93	PW
	B	ECO L02799	09-MAR-94	PW
	C	EC 1226	27-JUN-94	<i>[Signature]</i>



FILM/DWG: SERVICE DIAGRAM
 DATABASE: Z247P.DBF DATE: 29-JUN-94
 LAYERS PLOTTED: 1 2 3 4 10
 18

DE VILLE: STUFF R64 AND R66.
 DO NOT STUFF W41 AND W42.
 DELUXE: STUFF W41 AND W42.
 DO NOT STUFF R64 AND R66.

NOTE:
 1) TEST POINTS TP33,34 NOT APPLICABLE ON-DELUXE.
 2) PCB SHOWN AS FABRICATED.

DATABASE FILE: Z247P.DBF CHECKED BY: <i>[Signature]</i> DATE: 6/30/94 APPROVED: <i>[Signature]</i> DATE: 6/30/94	PROPRIETARY <small>THIS DRAWING OR EQUIPMENT CONTAINS INFORMATION WHICH IS PROPRIETARY TO AND IS THE PROPERTY OF THE FENDER MUSICAL INSTRUMENTS CO. AND MAY NOT BE REPRODUCED OR DISCLOSED IN ANY MANNER WITHOUT THE EXPRESS WRITTEN CONSENT FROM:</small> FENDER MUSICAL INSTRUMENTS CO. 1130 COLUMBIA STREET BREA, CALIFORNIA 92621	Fender MUSICAL INSTRUMENTS 1130 Columbia Street Brea, CA 92621 TITLE: SERVICE DIAGRAM BLUES DE VILLE/DELUXE SIZE: D DRAWN: WIERS ENGR: WIERS DRAWING NUMBER: 047005 REV. C CREATED: 03-NOV-93 PLOTTED: 29-JUN-94 SHEET 1 OF 1
---	--	---