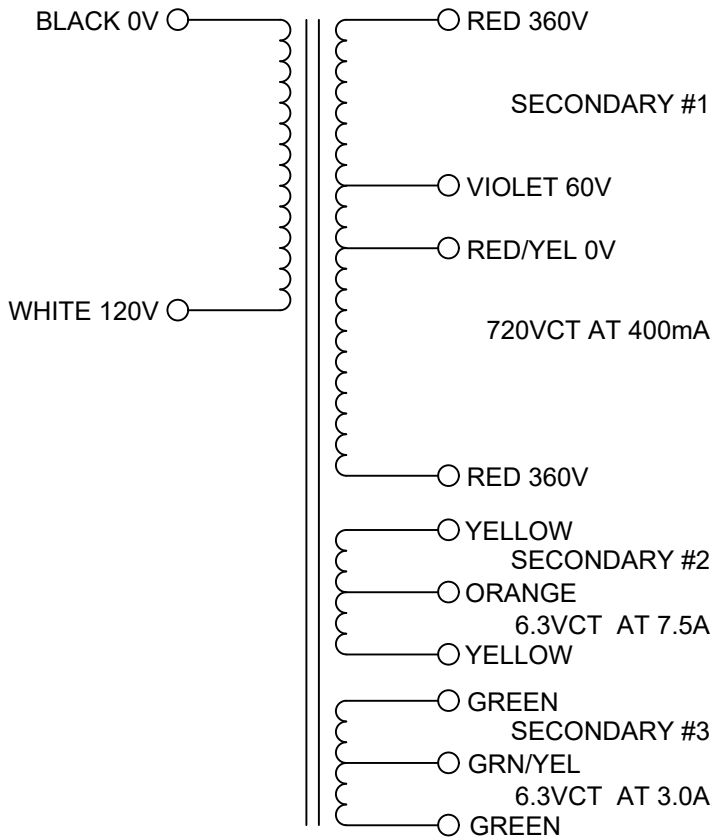
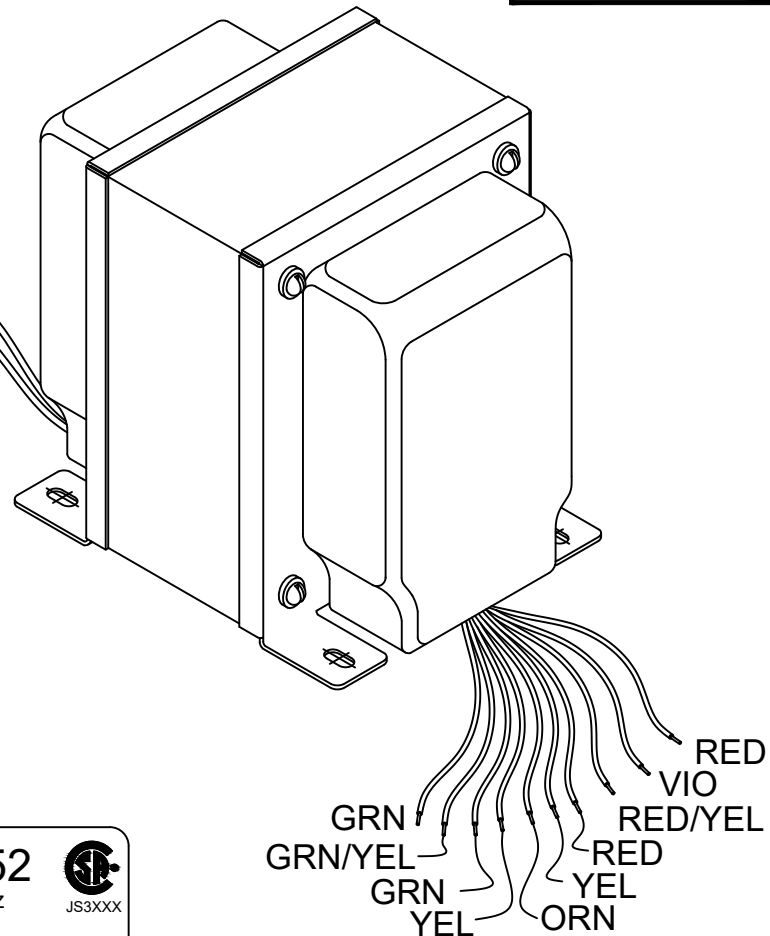


INPUTS:

OUTPUTS:



WHITE
BLACK



HAMMOND MANUFACTURING **H302552** **JS3XXX**
355VA 60Hz

INPUT BLK - WHT = 120V
OUTPUT RED - RED/YEL - RED = 720VCT AT 400mA
VIO = 60V BIAS
OUTPUT YEL - ORN - YEL = 6.3VCT AT 7.5A
OUTPUT GRN - GRN/YEL - GRN = 6.3VCT AT 3.0A

MADE IN CANADA DATE

PROPERTY AND COPYRIGHT NOTICE
THIS DRAWING AND THE INFORMATION IT CONVEYS ARE THE PROPERTY OF HAMMOND MANUFACTURING. IT MAY NOT BE REPRODUCED, TRANSMITTED OR USED IN ANY MANNER WHATSOEVER WITHOUT THE WRITTEN PERMISSION OF HAMMOND MANUFACTURING.

REV.#	REVISION	BY	DATE
0	RELEASED FOR PROTOTYPE	GG	06/16/2025
1	CHANGED CT LEAD FROM BLK/YEL TO ORN	GG	02/23/2026



ELECTRONIC DIVISION
52 RANKIN PLACE,
WATERLOO, ONTARIO, N2J 3Z5

PH # (519) 886-6181
FAX # (519) 886-9540

DWG. BY: G. GRAY
DATE: 06/16/2025

CHK'D BY:
APP'D. BY:
DIMENSIONS: IN(X) MM()

TITLE: 120V 60Hz
POWER TRANSFORMER

DWG. NO.
H302552