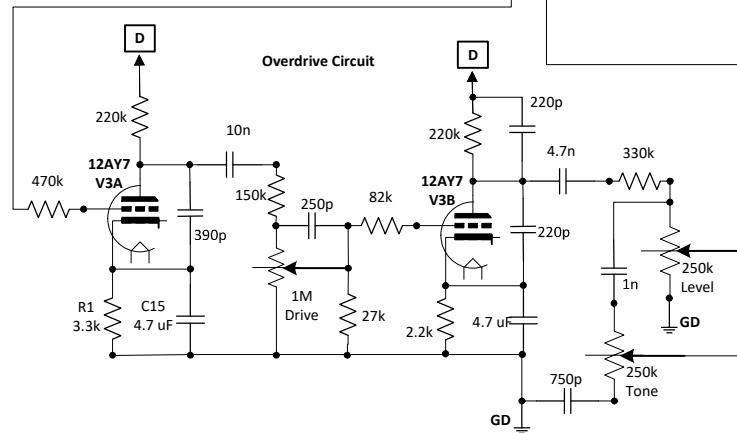
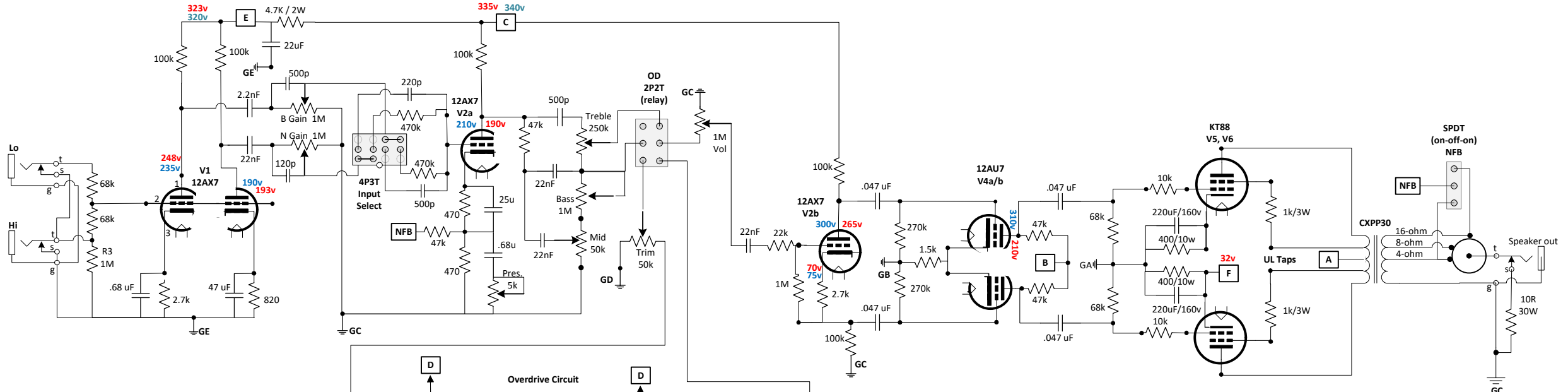
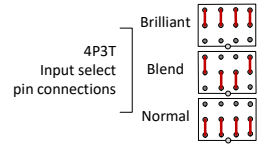


Minor Major (7th)

Modified Marshall Major, ~35W 2x KT88, Blendable single input, switchable OD



CascoSieg 04.2026
(v 6.43)

- Overall circuit based on the Marshall Major 200, scaled down to ~40W, based on various EL34-World threads, plus an OD circuit (Carolina Overdrive Special-ish).
- Voltages in blue are targets, red is measured
- Changes from stock MM circuit:
 - Increased slope R to 47k from 33k (to reduce boominess with this spkr/cab format)
 - Nrm Ch pot brite cap.
 - Small grid stopper on PI
- Additions:
 - Selectable NFB (stock – low – none)
 - Separate and blendable input channels
 - Selectable mixing R bypass brite caps
 - Foot-switchable OD circuit

