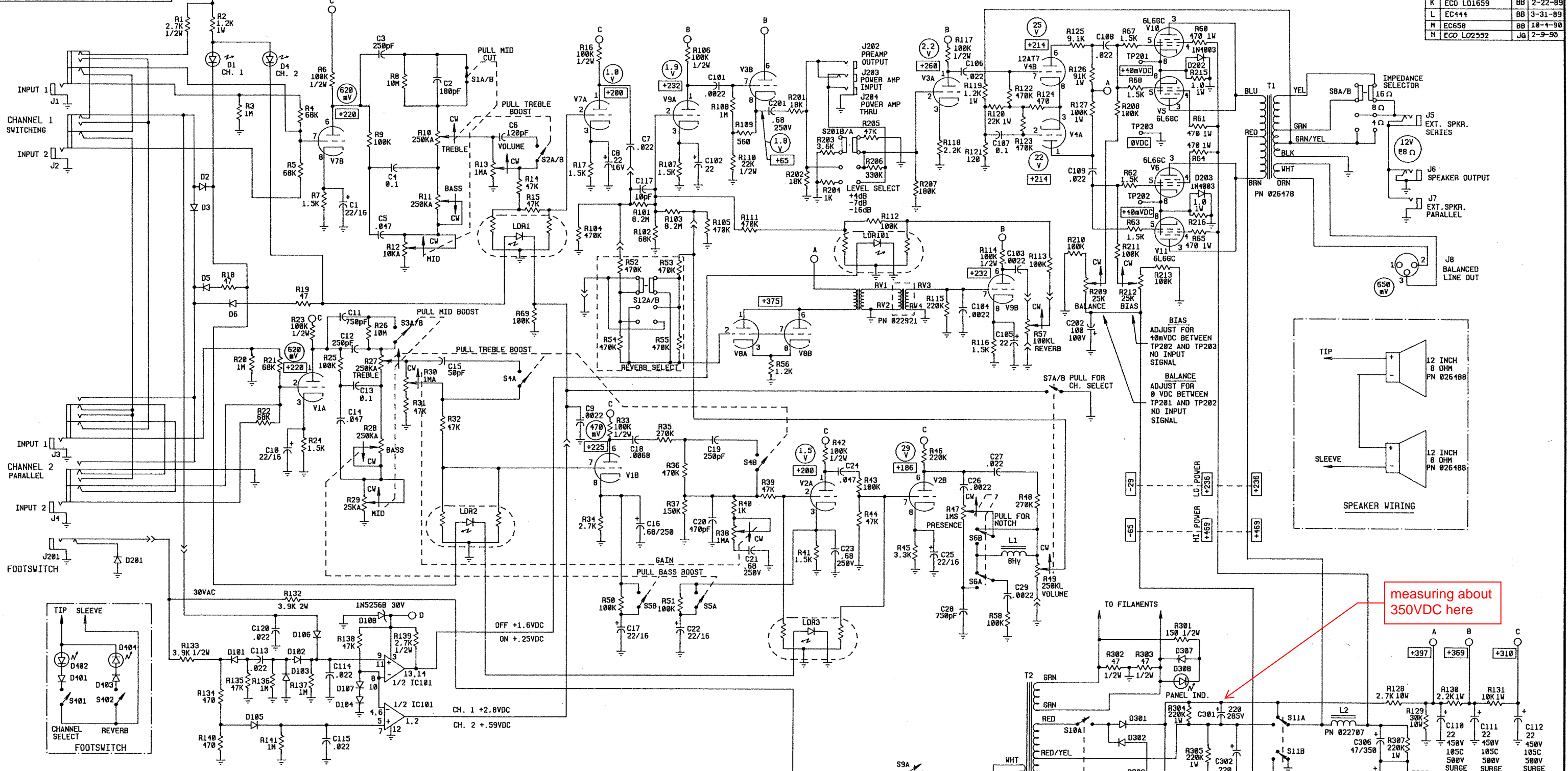


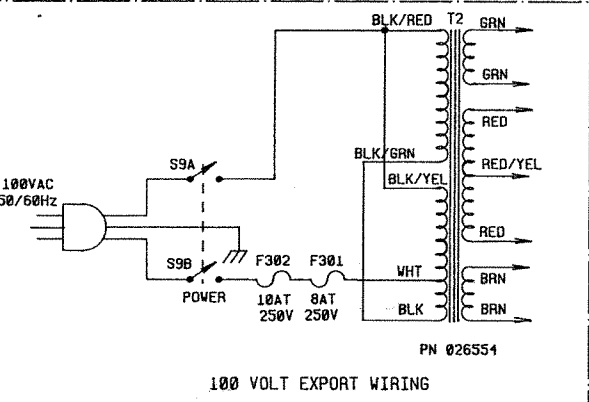
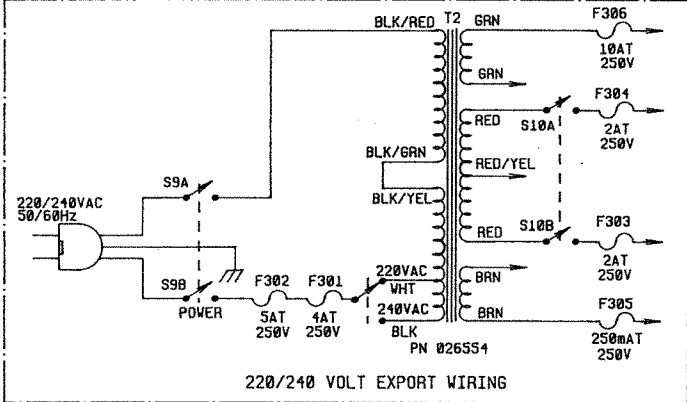
THIS DOCUMENT CONTAINS INFORMATION OF A PROPRIETARY NATURE TO FENDER MUSICAL INSTRUMENTS AND IS LOANED TO YOU IN CONFIDENCE AND SHALL NOT BE DISSEMINATED OR TRANSMITTED TO OTHERS WITHOUT AUTHORIZATION FROM FENDER MUSICAL INSTRUMENTS.

REV	BY	DATE
J	REDRAWN EC# 325	BB 8-5-88
K	ECO L01659	BB 2-22-89
L	EC444	BB 3-31-89
M	EC658	BB 10-1-90
N	ECO L02552	JG 2-9-90



measuring about 350VDC here

- NOTES: TYP. EXCEPT AS NOTED.
1. ALL RESISTORS 1/4W 5%.
 2. ALL CAPACITORS 630V MIN.
 3. ALL DIODES ARE 1N4448.
 4. SIX DIGIT NUMBERS ARE FENDER PART NUMBERS.
 5. [DC VOLTAGES] READ TO GROUND WITH VTVM. NO SIGNAL.
 6. [mV] AC VOLTAGES READ TO GROUND WITH VTVM AND DENOTE TYP. 1KHZ SIGNAL WITH AMP SET IN HIGH POWER MODE. ALL CONTROLS SET TO 12 O'CLOCK. ALL PULL FUNCTIONS OFF. REVERB SET TO 0. LOOP LEVEL SET 7.5BV. IMPEDANCE SELECTOR SET TO 8 OHMS. SIGNAL INTO CH. 2. INPUT 1.
 7. RESISTORS R215 AND R216 ARE FLAME PROOF.



(' D ' VOLTAGE READINGS)

NO INPUTS +27.2VDC
 CH. 1 INPUT +30.0VDC
 CH. 2 INPUT +25.7VDC
 CH. 1 AND CH. 2. INPUT +30.0VDC
 PULL FOR SELECT AND CH. 1 INPUT +30.0VDC
 PULL FOR SELECT AND NO INPUTS +26.2VDC

DRAWN BENTON	DATE 8-5-88	CHECK MH	DATE 2-19-93	APPROVED [Signature]	DATE 2-19-93
FENDER MUSICAL INSTRUMENTS CORP. BREA, CALIFORNIA 92621			TITLE SCHEMATIC DIAGRAM 'THE TWIN'		
DISK A432	SIZE D	PART/DRAWING NUMBER 026059	REV. N	REVISIONS 0026657000	