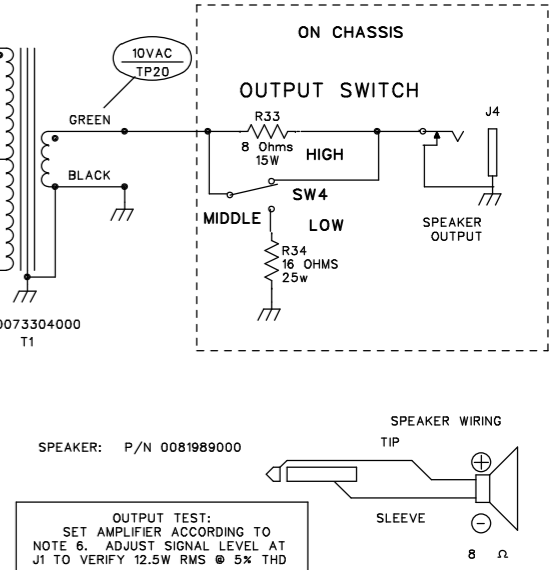
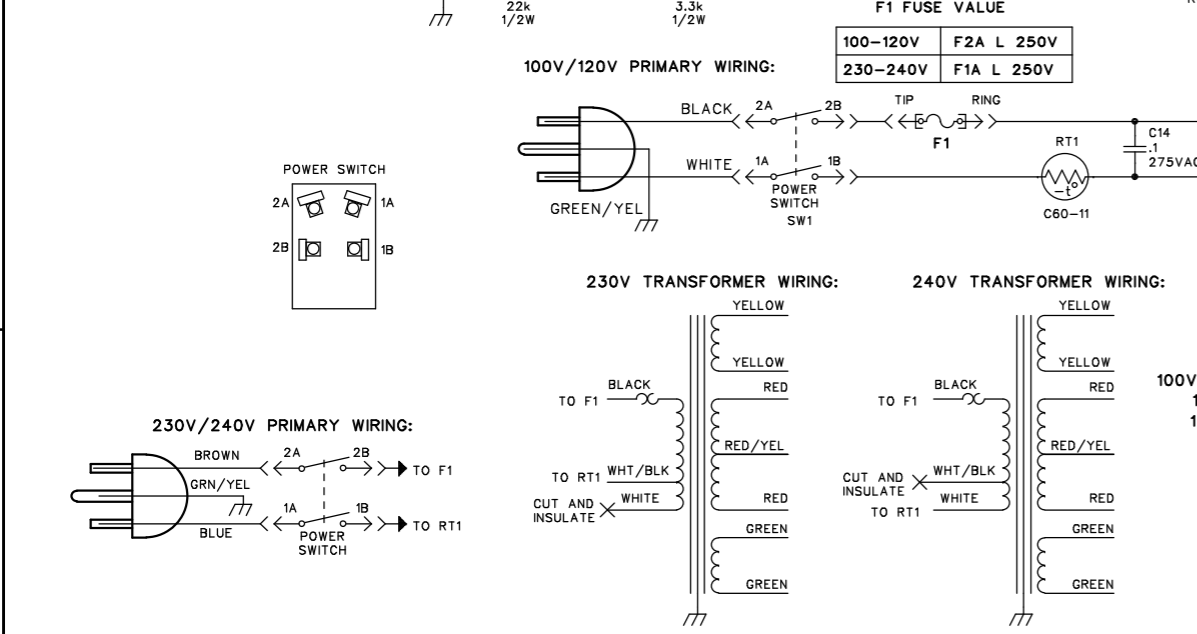
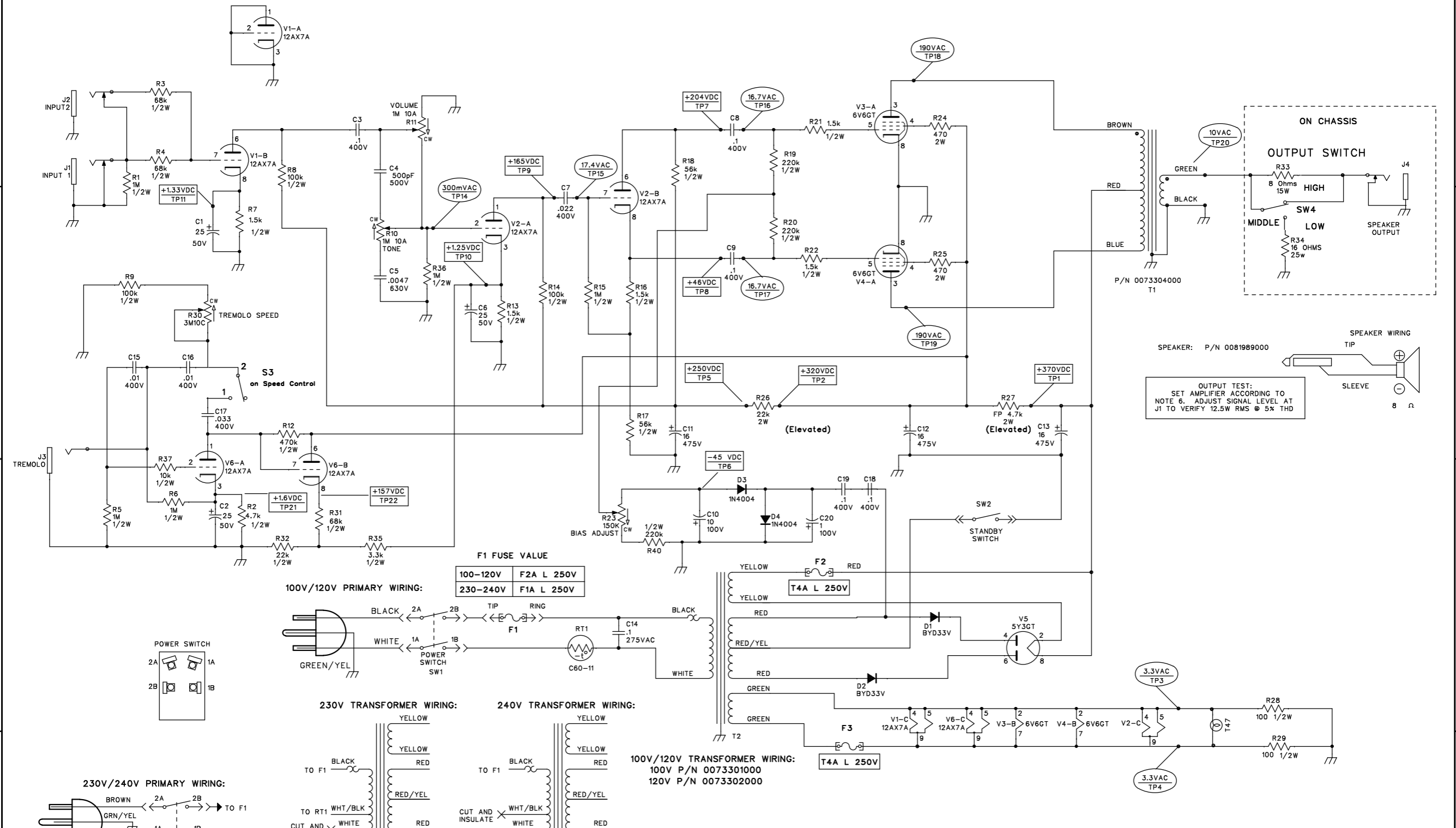


REVISIONS			
REV.	DESCRIPTION	DATE	APPROVED
A	PR1170	16-FEB-11	LEL
B	EC 4809	21-JUL-11	L E L



- ADJUST R23 TO ACHIEVE 27mA PLATE CURRENT IN V3
 - ALL VOLTAGES MEASURED WITH RESPECT TO GROUND USING A DVM OF AT LEAST 1M Ω AC INPUT IMPEDANCE AND 10M Ω DC IMPEDANCE. VOLTAGES MAY VARY +/- 20%. TEST CONDITIONS: UNIT AT RATED LINE VOLTAGE. BΩ RESISTIVE LOAD CONNECTED AT SPEAKER OUT. ALL PANEL CONTROLS AT 50% ROTATION. ALL DC VOLTAGES MEASURED WITH NO INPUT SIGNAL. ALL AC VOLTAGES MEASURED WITH A 100mVAC 1kHz SINEWAVE AT J3.
 - LAST REFERENCE DESIGNATOR: C20, D2, F3, J4, R40, RT1, T2, TP22, V6.
 - THIS SCHEMATIC IS FOR PCB FABRICATION P/N 0081976000 AND PCB ASSEMBLY P/N 0081977000.
 - ALL POLARIZED CAPACITORS IN μF, 20%; 50V MINIMUM.
 - ALL UNPOLARIZED CAPACITORS IN μF, 10% OR BETTER; 50V MINIMUM. (POWER SUPPLY BYPASS CAPACITORS ARE 20%).
 - ALL RESISTORS IN OHMS, 5%.
- NOTES: (UNLESS OTHERWISE NOTED)

THIS DOCUMENT CONTAINS INFORMATION OF A PROPRIETARY NATURE TO FENDER MUSICAL INSTRUMENTS AND IS SUBMITTED TO YOU IN CONFIDENCE AND SHALL NOT BE DISCLOSED OR TRANSMITTED TO OTHERS WITHOUT AUTHORIZATION FROM FENDER MUSICAL INSTRUMENTS.

Fender MUSICAL INSTRUMENTS
Corona, CA U.S.A.

CHECKED BY: _____
DATE: _____

APPROVED BY: _____
DATE: _____

DRAWN: LORENZEN ENGR: LORENZEN
DATABASE FILE: Z1170S.SCH

TITLE: SERVICE DIAGRAM, COMBINED (schematic)
TREMOLUX AMP

SIZE	DRAWING NUMBER	REV.
C	0081978000	B

RELEASE DATE: 16-FEB_11 SHEET: 1 OF 2