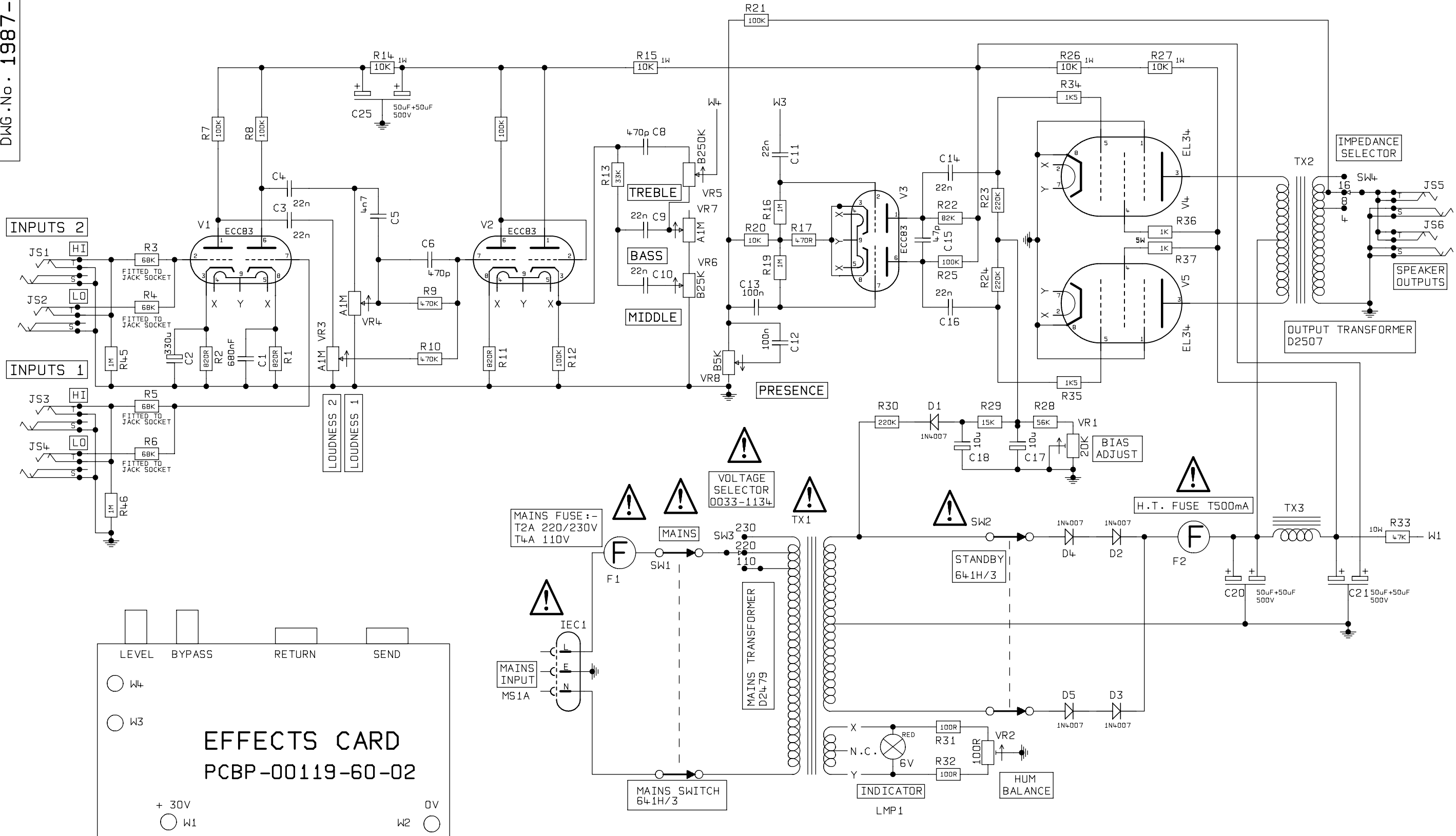


DWG.No. 1987-01-60-02



LEVEL BYPASS RETURN SEND

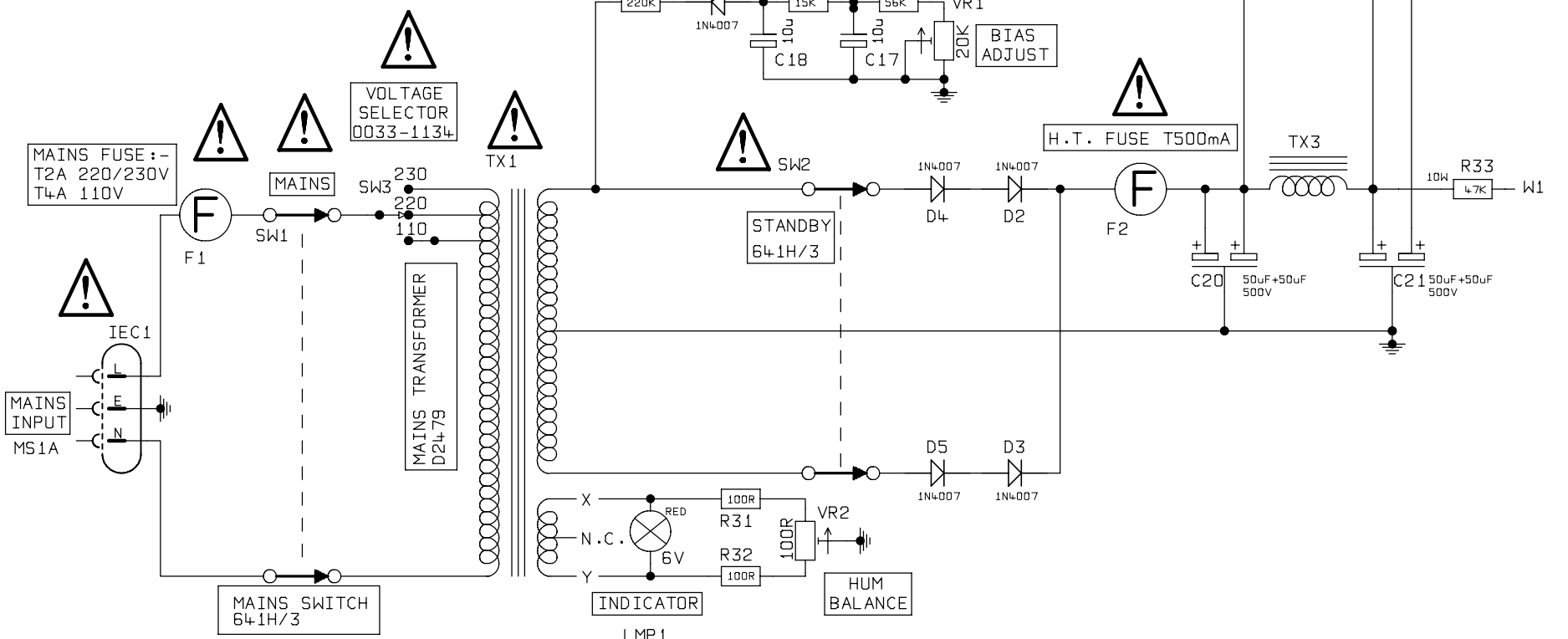
W4

W3

EFFECTS CARD

PCBP-00119-60-02

+ 30V W1 0V W2



DRAWN	M BALLINGER	DATE	5-3-02
MODEL	1987X-01	ISS	ECO NUMBER
			DATE



TITLE	CIRCUIT DIAG
DWG.No.	1987-01-60-02
ISS	4