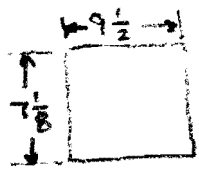
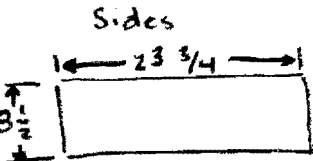


Fender Dual Showman Head (1967 version)

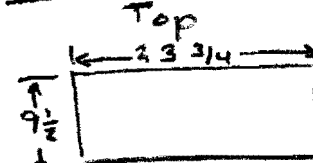
Materials



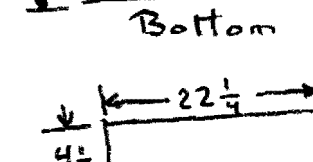
1x10 poplar
(2 req)



1x10 poplar



1x10 poplar



1x5 poplar

Tolex

Grill cloth

Glues

Handle

#8 x 3/4 screws

#8 x 1 1/2 screws

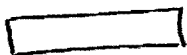
Glides

Logo

Piggyback H/W

Chassis Support H/W

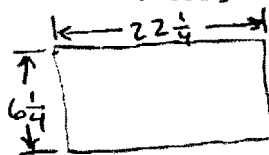
Staples



Braces

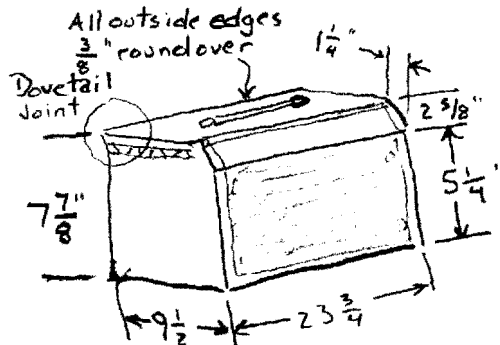
1 x 3/4 x 5 3/7 (2 req)

1 x 3/4 x 4 (2 req)

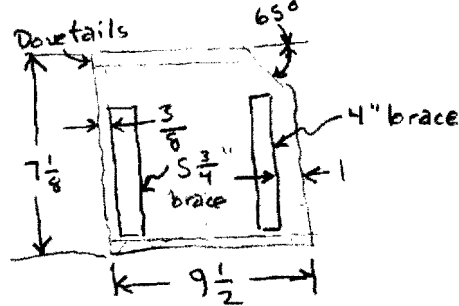


Back

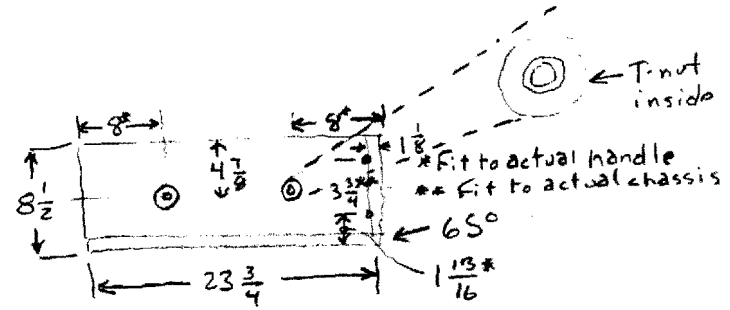
1/4" plywood



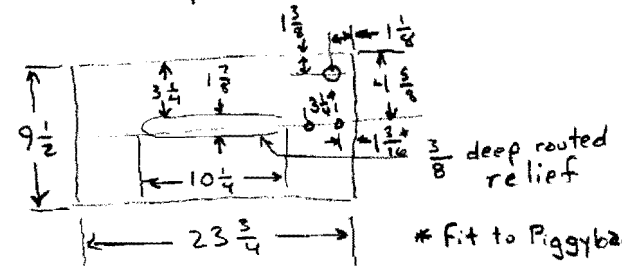
Overall View



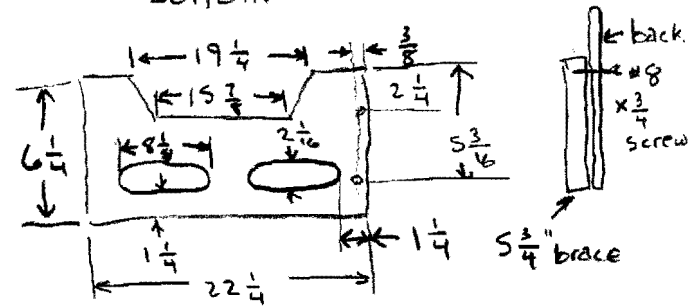
Sides



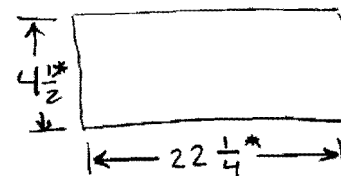
Top



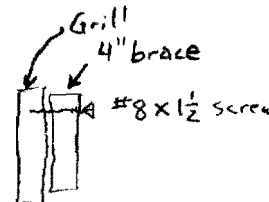
Bottom



Back



Grill



*Fit to Tolexed frame for snug fit with grill-cloth