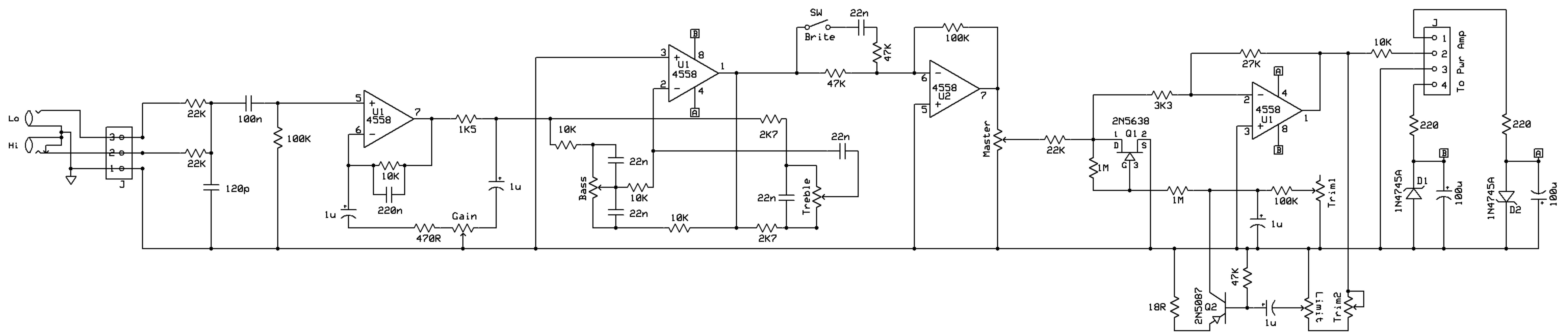


D7 & D8 epoxied to heatsink
 Q10 & Q11 mounted on heatsink



Noname Amp. Co.		
Crate CR60-B Power Amp		
SLM	Rev 1.0a 5/22/2010	1