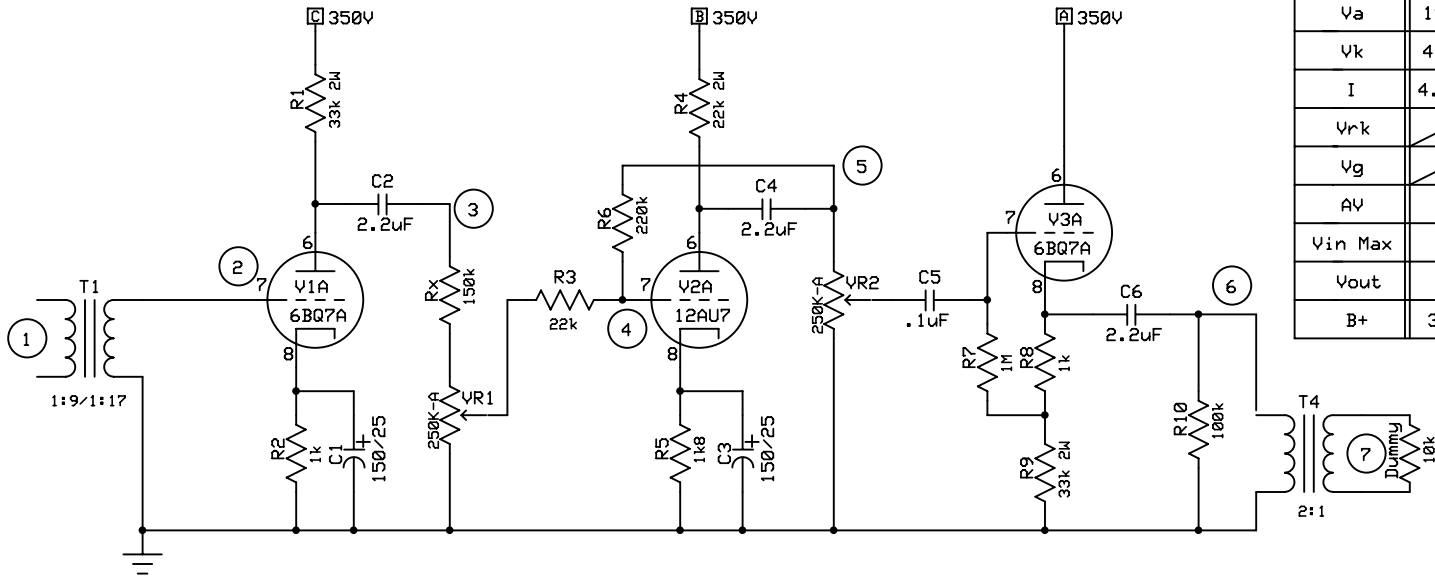


1 of 2 channels.

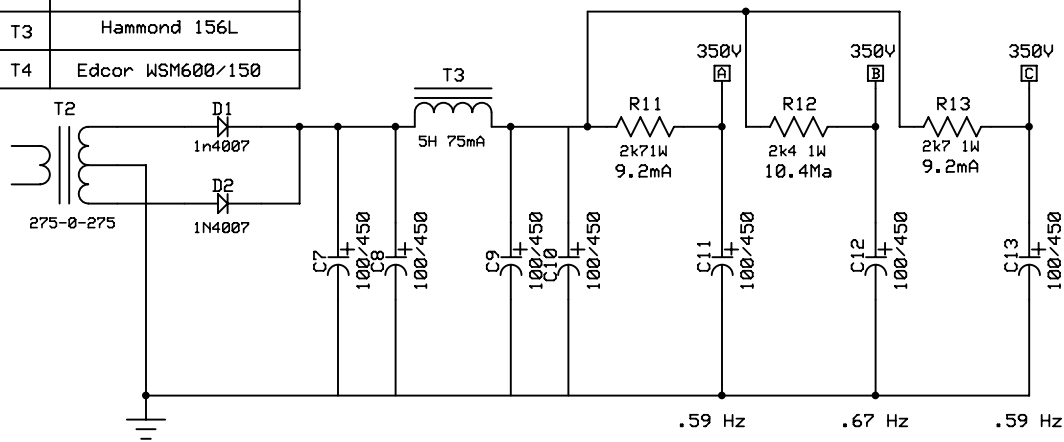


	V1		V2		V3	
	Calc	Meas	Calc	Meas	Calc	Meas
Va	194V	202v	226V	236V	350V	350V
Vk	4.6V	4.5V	9.5V	9.5V	153V	140V
I	4.6mA	4.5mA	5.2mA	5.2mA	4.6mA	4mA
Vrk	/	/	/	/	148V	136V
Vg	/	/	/	/	/	60V
AV	25	22	10	9.6	.97	.96
Vin Max						
Vout						
B+	350V	349V	350V	349V	350V	350V

Tt1 Gain	Calc	M.1:9	M 1:17
AV		78	155
+dB		38	44

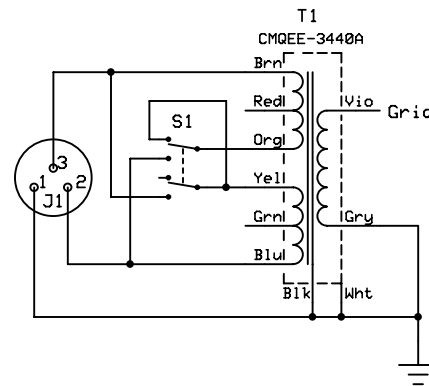
1	2	3	4	5	6	7	Output set to +6dBu @ 2kHz
.02	.165	3.68	.34	3.27	3.1	1.56	Vrms 1:9 both pots full up
.01	.161	3.64	.34	3.24	3.1	1.55	Vrms 1:17 both pots full up

T1	CineMag CMQEE-3440A
T2	Hammond 270DX
T3	Hammond 156L
T4	Eddor WSM600/150



Voltage, current, & frequency are as calculated.

Typical 12VDC filament supply not shown.



Overall Response
Output set to +6dBu @ 2kHz
Analog VU meter

	1:9	1:17
20kHz	+8	+6.75
2kHz	+6	+6
200Hz	+6	+6
20Hz	+9	+8.75

S.T.A.C.		
Mic Pre Three		
R. Smith	Rev 1.32 9/7/2010	Page 1 of 1