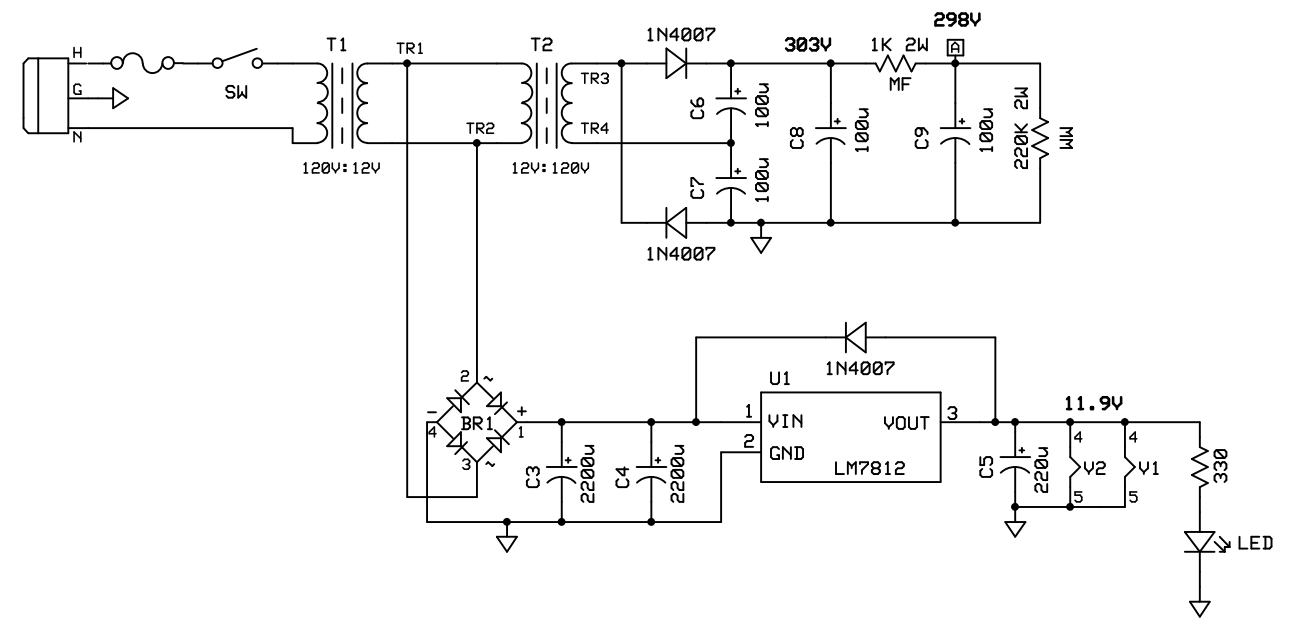


Notes:

- C1 - C5 are 25VDC Electrolytics.
- C6 - C9 are 450VDC Electrolytics - All other Condensers are 400VDC minimum.
- T1 & T2 are Halogen Lighting 12V 4.2A Sec. 120V Pri. Courtesy of Butterylicious Supp. Co. Ltd.
- All Resistors are 500mW 5% Carbon Composition U.O.N.
- U1 mounted to Chassis.



S.T.A.C.		
Po-Boy Pre		
Pete Mitcheltree	Rev 1.1a	Page 1 of 1
	11/23/2010	