

Fig. 1

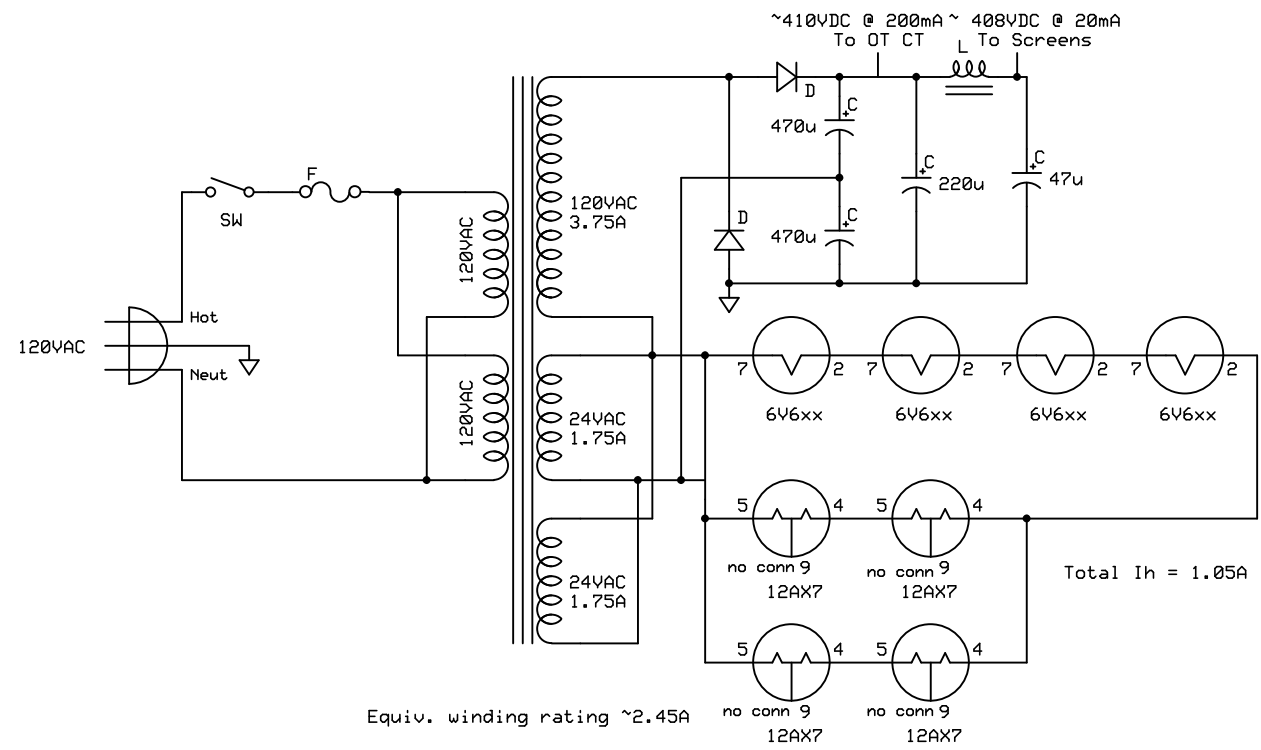


Fig. 3

12AX7, 12AT7, 12AU7 $I_h = 150\text{mA}$ 12V connected
 12BZ7 $I_h = 300\text{mA}$ 12V connected
 6AV6 $I_h = 300\text{mA}$
 6V6xx $I_h = 450\text{mA}$

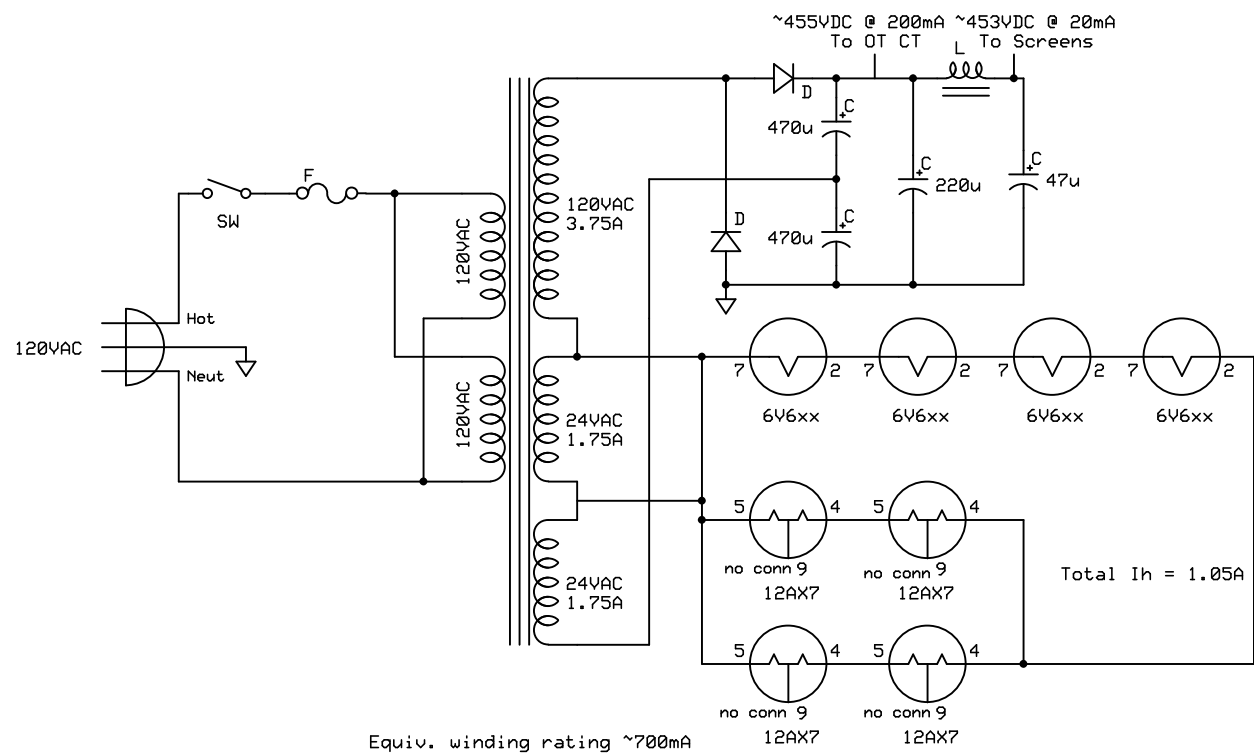


Fig. 2

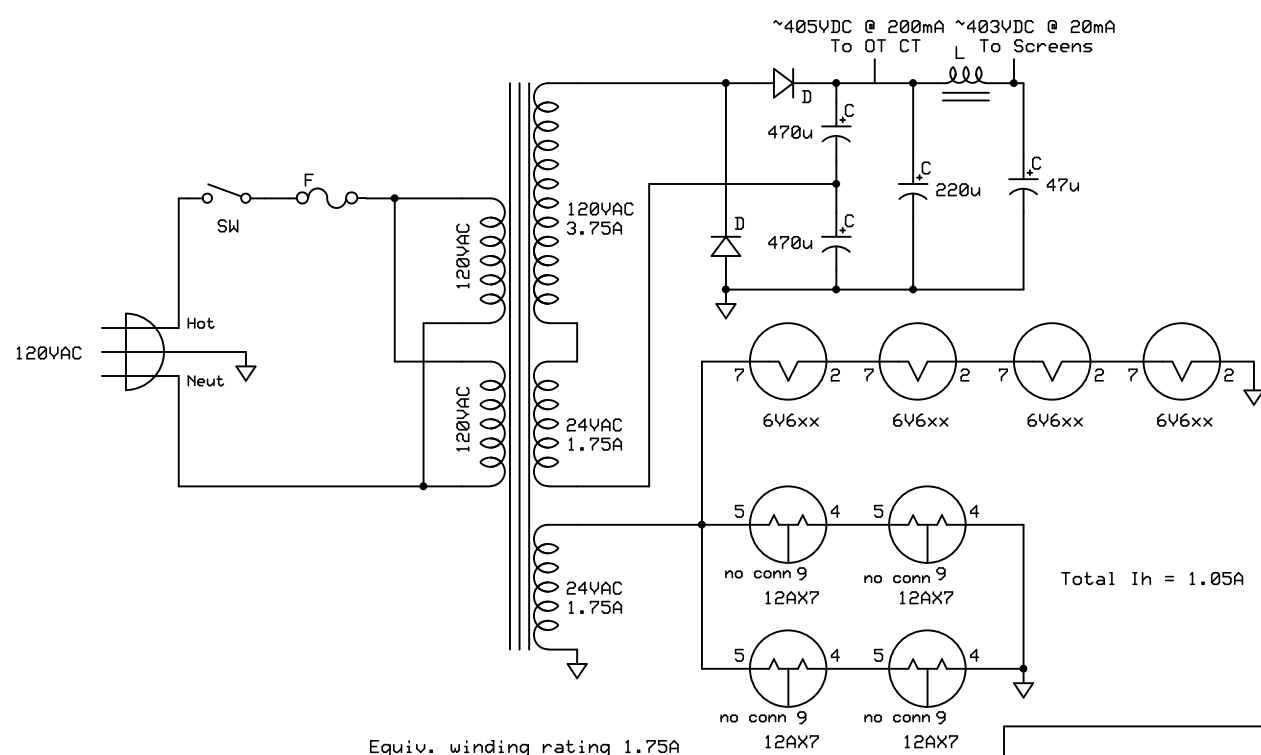


Fig. 4

Dallas	
Donut Trannies	
Anonymous	Rev 3.0
	3/28/2011