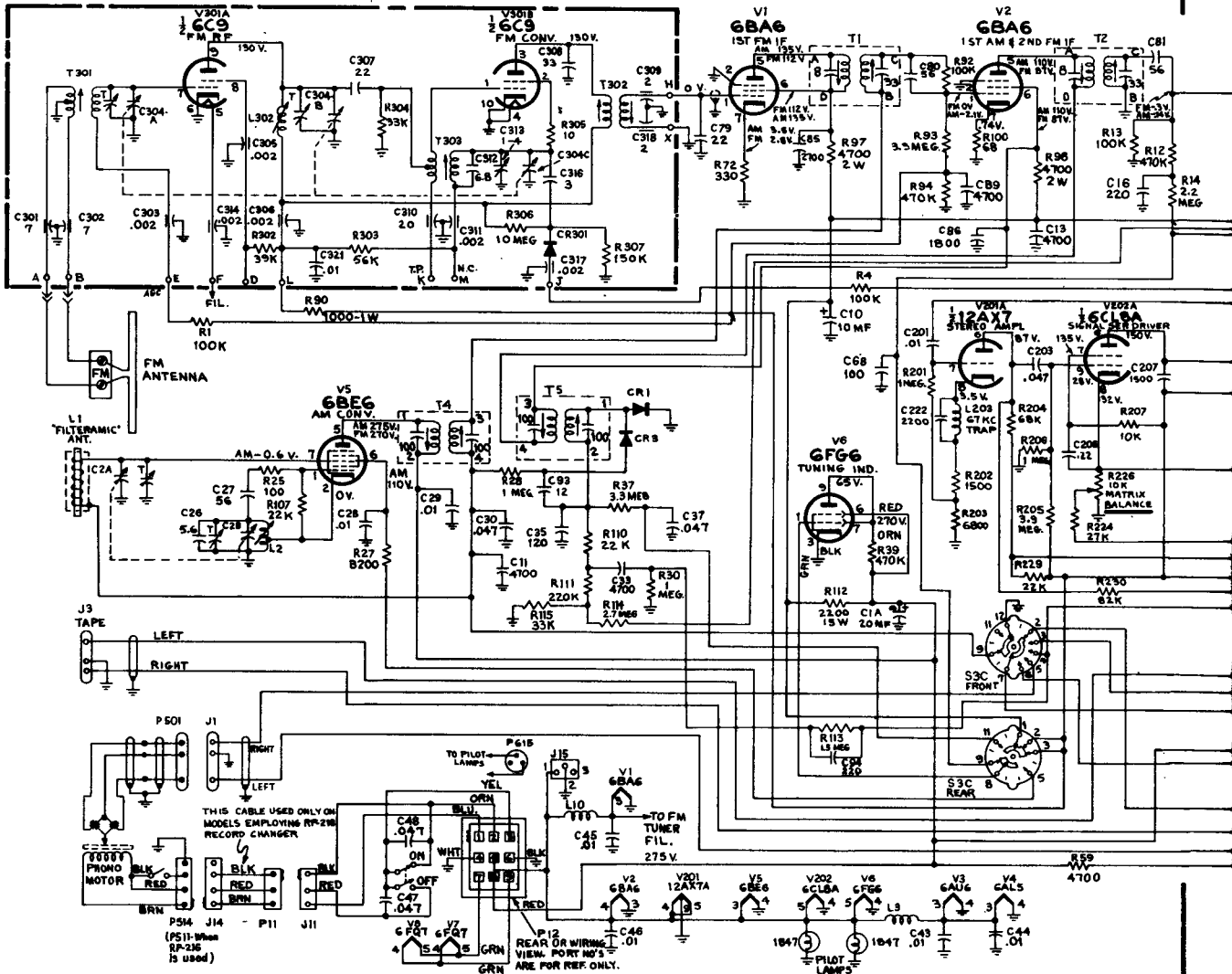
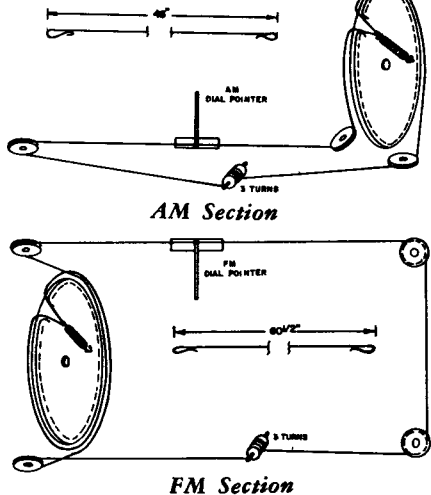


VOLUME R-24, MOST-OFTEN-NEEDED 1964 RADIO SERVICING INFORMATION

RCA VICTOR Models 3VF305, 3VF306, 3VF340, 3VF346, 3VF349, employ Tuner Chassis RC-1205C and Amplifier Chassis RS-199B; while Models 3VF405, 3VF446, 3VF516, 3VF534, 3VF604, 3VF619, 3VF646, use the same Tuner and Amplifier Chassis RS-177H. Service material below and on the next two pages.



Dial Cord Stringing



CRITICAL LEAD DRESS

RC-1205C

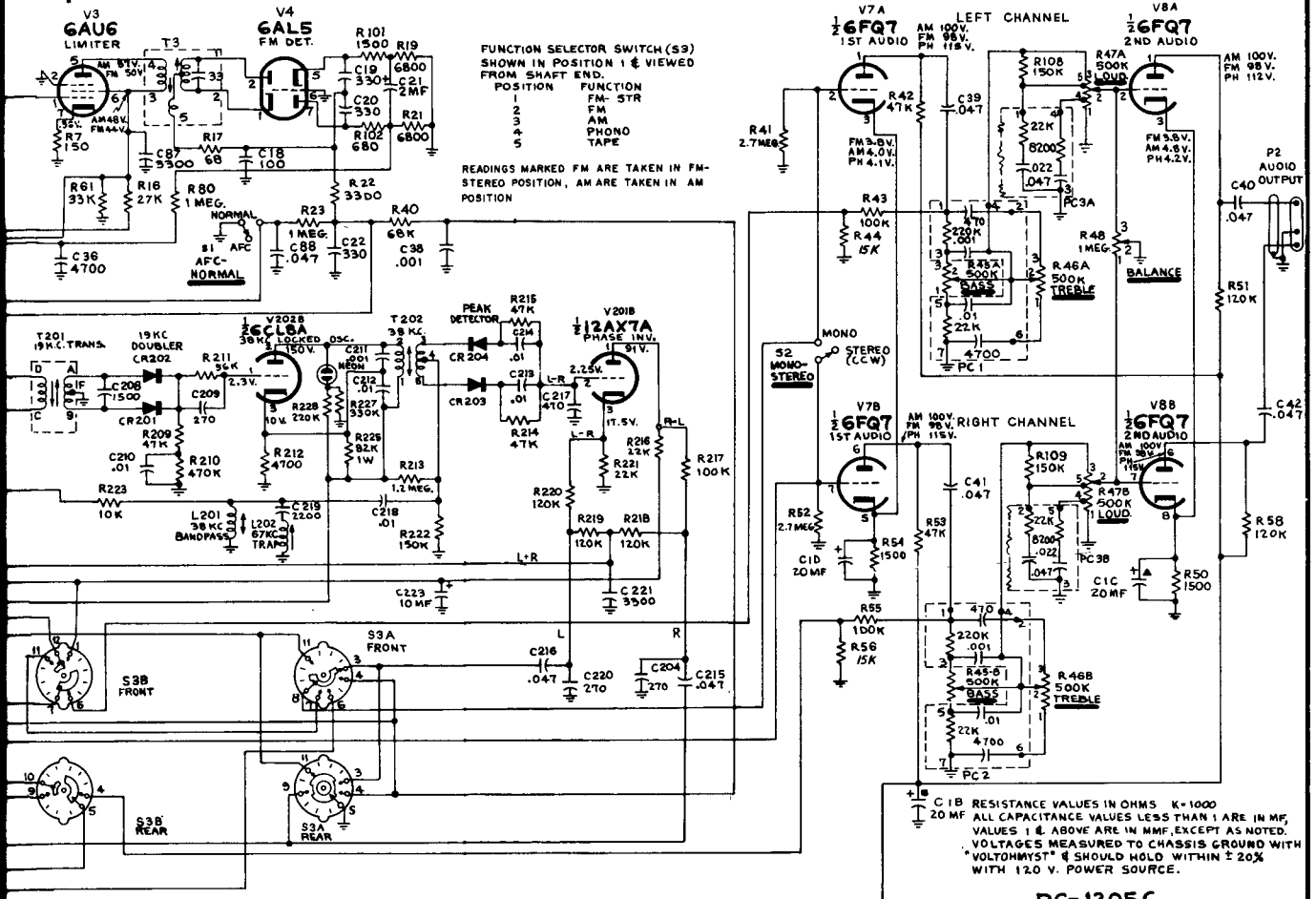
1. Dress R3 and R9 up and away from all other components.
2. Keep 10.7 mc IF grid and plate wiring short and close to chassis.
3. Dress L3 close to chassis.
4. Keep heater leads away from audio grid circuits.
5. Dress C46 and C48 and AC wiring up and away from audio components.

RS-177H

1. Dress all heater leads flat along bottom of chassis.
2. Use minimum lead length on all resistors between V401 and V402 and terminal board.
3. Dress feed back leads between terminal board near output transformers and V401 and V402, along inside corner of chassis and then along back side of terminal board near V401 and V402.
4. Dress plate leads from output transformers to output tubes down center of chassis away from feed back leads.
5. Dress power resistors R426, R427, and R428 well away from chassis. All insulated leads are to be dressed away from these resistors.

VOLUME R-24, MOST-OFTEN-NEEDED 1964 RADIO SERVICING INFORMATION

RCA VICTOR Continuation of service material on Tuner Chassis RC-1205C, for list of models using this chassis see preceding page at left, material on Amplifier Chassis RS-177H and RS-199B is on the next page, over.

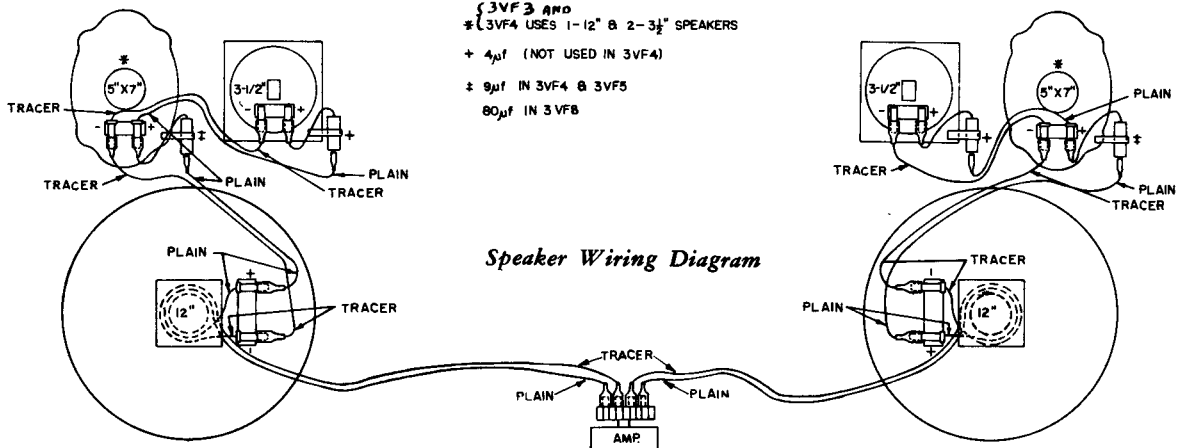


SPEAKER PHASING

The two speaker systems must be properly connected in order to have "in-phase" sound outputs. Incorrect connections will be evidenced by "loss of bass" or distortion in the sound when playing a monophonic recording and listening

from a point midway between the two speaker systems. Similarly the speakers in each system must be phased with each other.

To maintain correct phasing, the speaker connections as shown should be closely followed.



VOLUME R-24, MOST-OFTEN-NEEDED 1964 RADIO SERVICING INFORMATION

RCA VICTOR Amplifier Chassis RS-177H and RS-199B, for list of models using these chassis, associated tuner data, etc., see preceding two pages.

