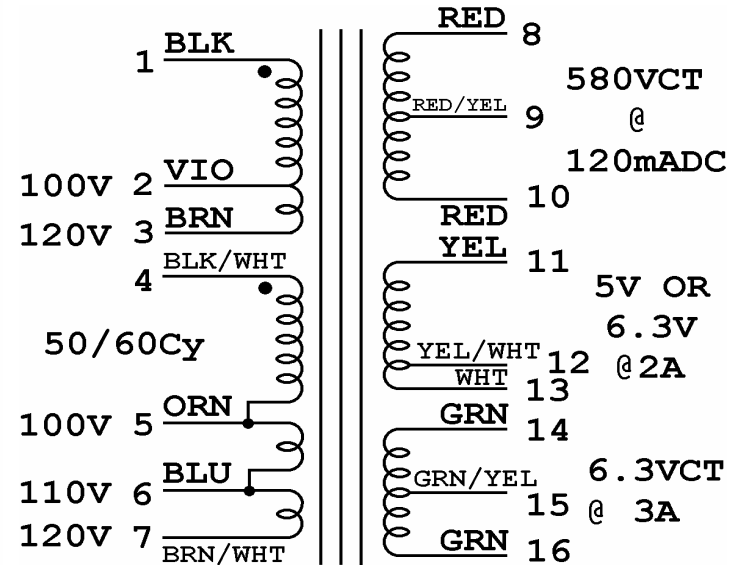
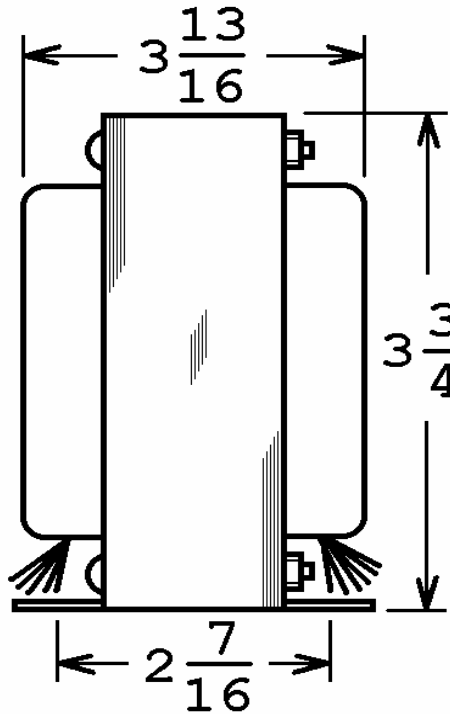


40-18056 SHEET 1

This drawing is the property of Magnetic Components, Inc. and shall not be reproduced, in whole or in part, without the written permission of Magnetic Components, Inc.

| REVISIONS |  |          |             |
|-----------|--|----------|-------------|
| LTR       | DESCRIPTION                                  | DATE     | APPROVED    |
| A         | ADD PAGE 2 WITH PRIMARY WIRING               | 01/13/11 | M. Sacketti |
| B         | CORRECTED 100 & 120V WIRING DIAGRAMS ON PG 2 | 03/10/11 | M. Sacketti |



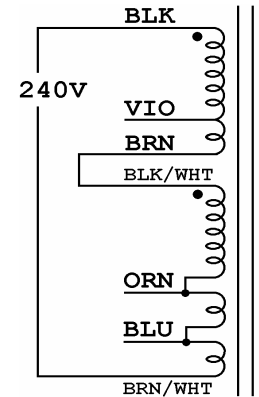
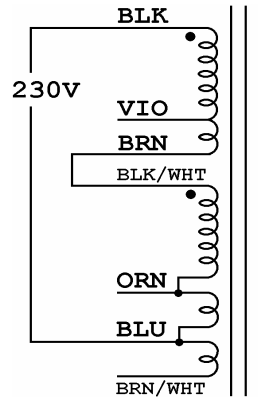
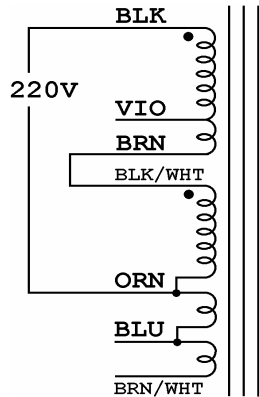
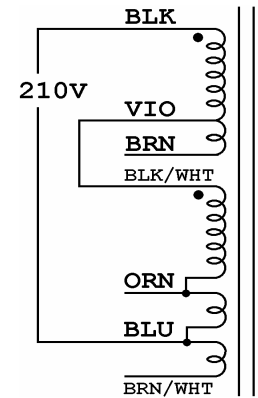
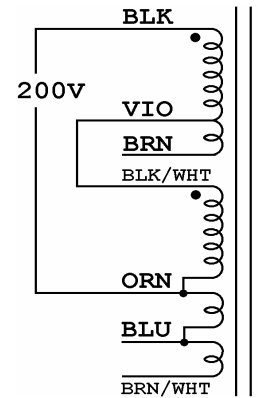
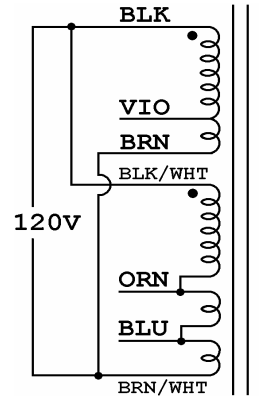
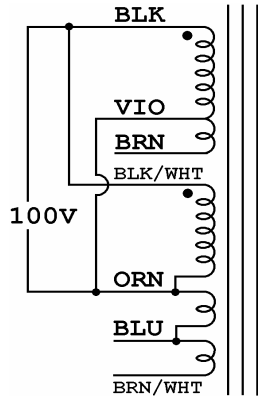
SEE SHEET 2 FOR PRIMARY CONNECTIONS

|  |  |                            |  |           |  |                             |  |
|--|--|----------------------------|--|-----------|--|-----------------------------|--|
| UNLESS OTHERWISE SPECIFIED                       |  | SIGNATURES                 |  | DATE      |  | DRAWING No. :<br>OOA-85325  |  |
| ALL DIMENSIONS IN INCHES<br>DO NOT SCALE DRAWING |  | DRAWN : <i>M. Sacketti</i> |  | 09 NOV 10 |  | MAGNETIC COMPONENTS, INC.   |  |
|  |  | CHECK :                    |  |           |  | DIV :<br>LOC : SCHILLER PK  |  |
| FRACTIONS +/-                                    |  | APPR : <i>M. Sacketti</i>  |  | 09 NOV 10 |  | TITLE<br>18W MARSHALL POWER |  |
| .X = +/-   |  | CAGE                       |  | 50508     |  | SIZE                        |  |
| .XX = +/-  |  | SCALE                      |  | NONE      |  | PART No.                    |  |
| .XXX = +/-                                       |  |                            |  |           |  | A                           |  |
| ANGLES = +/-                                     |  |                            |  |           |  | 40-18056                    |  |
|  |  |                            |  |           |  | REV<br>B                    |  |
|  |  |                            |  |           |  | SHEET : 1 OF 2              |  |

40-18056 SHEET 2

This drawing is the property of Magnetic Components, Inc. and shall not be reproduced, in whole or in part, without the written permission of Magnetic Components, Inc.

| REVISIONS |             |      |          |
|-----------|-------------|------|----------|
| LTR       | DESCRIPTION | DATE | APPROVED |



DRAWING No. :  
OOA-85325  
DIV :  
LOC : SCHILLER PK

|  |                            |  |            |                           |               |                          |                                    |
|--|----------------------------|--|------------|---------------------------|---------------|--------------------------|------------------------------------|
| UNLESS OTHERWISE SPECIFIED<br>ALL DIMENSIONS IN INCHES<br>DO NOT SCALE DRAWING<br>FRACTIONS +/-<br>.X = +/-<br>.XX = +/-<br>.XXX = +/-<br>ANGLES = +/- | SIGNATURES                 |  | DATE       | MAGNETIC COMPONENTS, INC. |               |                          | TITLE<br><b>18W MARSHALL POWER</b> |
|  | DRAWN : <i>[Signature]</i> |  | 09 NOV 10  |                           |               |                          |                                    |
|  | CHECK :                    |  |            |                           |               |                          |                                    |
|  | APPR : <i>[Signature]</i>  |  | 09 NOV 10  | CAGE 50508                | SIZE <b>A</b> | PART No. <b>40-18056</b> | REV <b>B</b>                       |
|  |                            |  | SCALE NONE | SHEET : 2 OF 2            |               |                          |                                    |