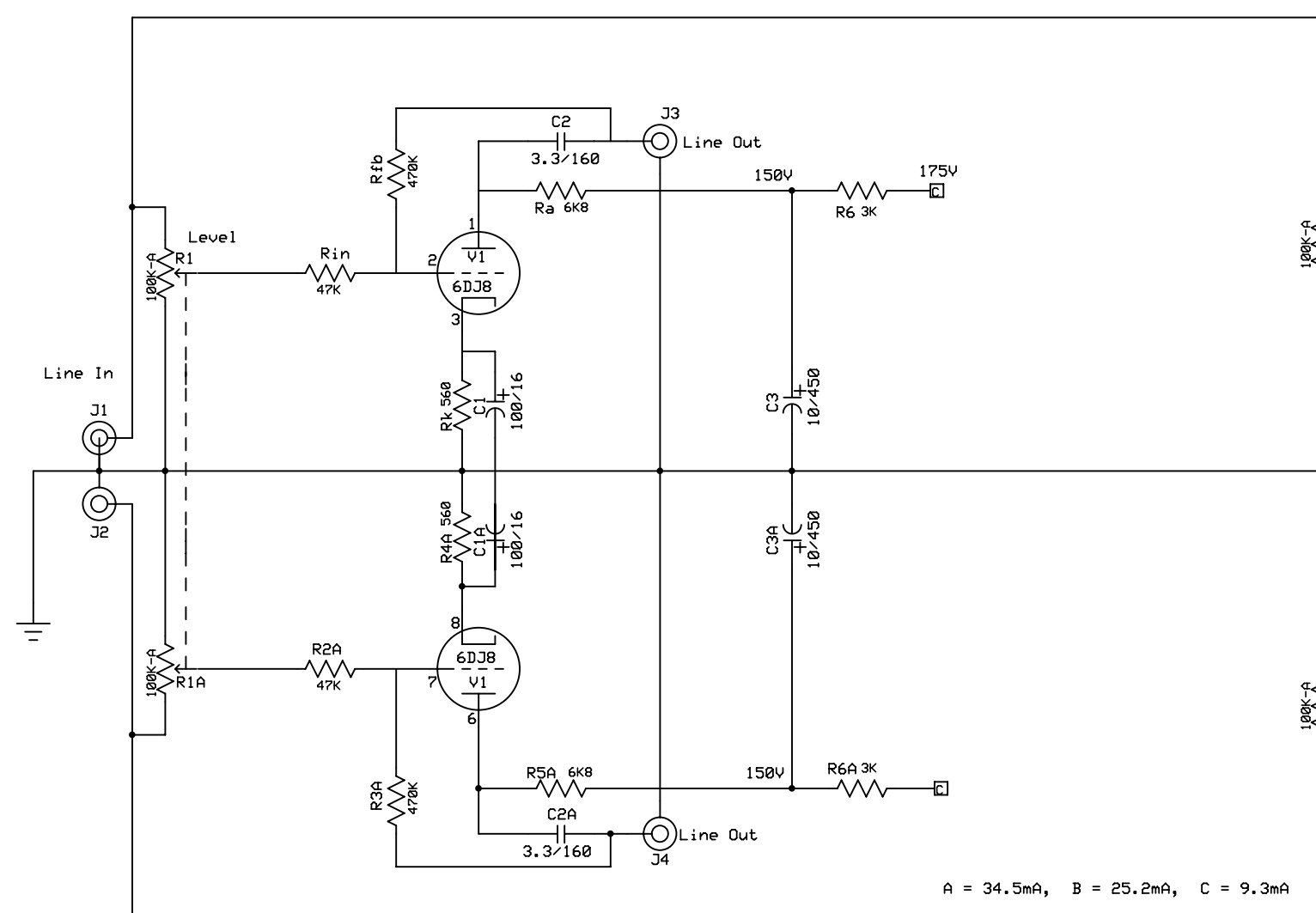
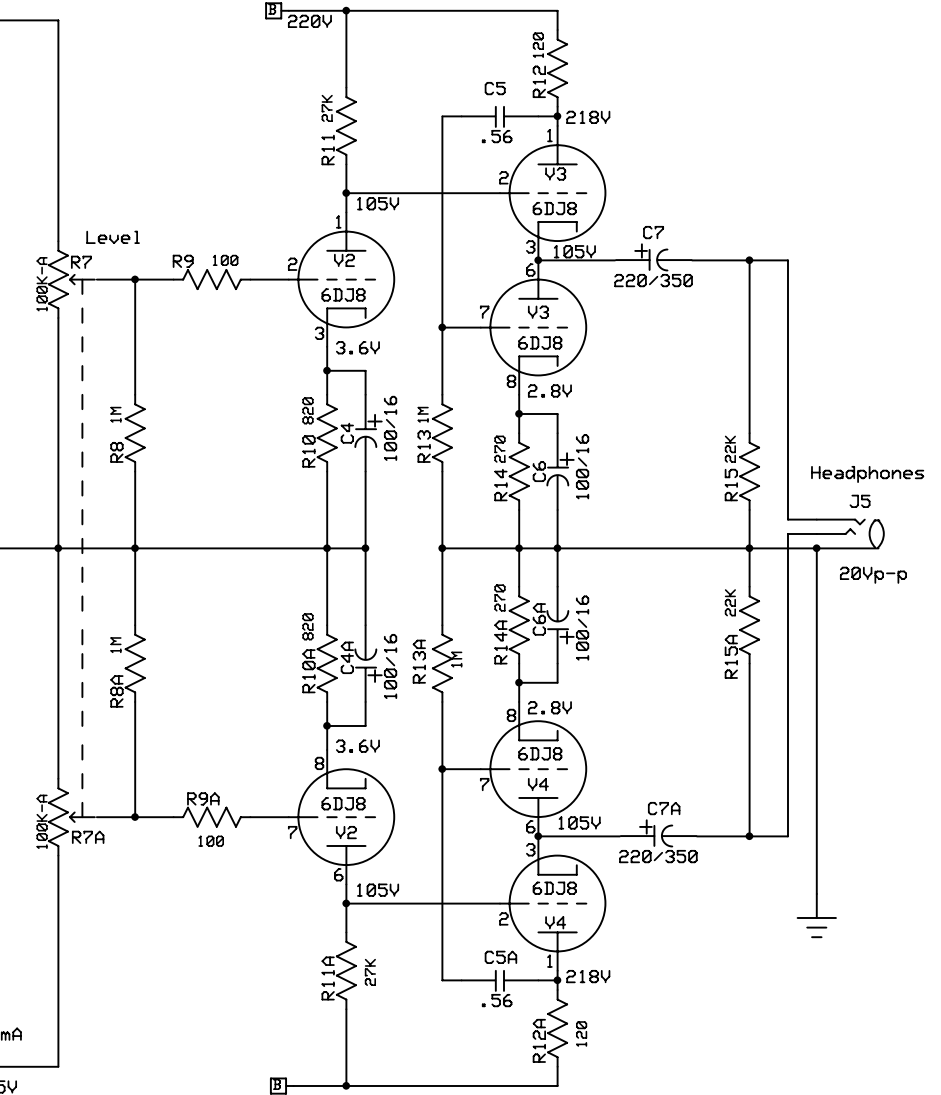


Preamp



Headphone



A = 34.5mA, B = 25.2mA, C = 9.3mA

