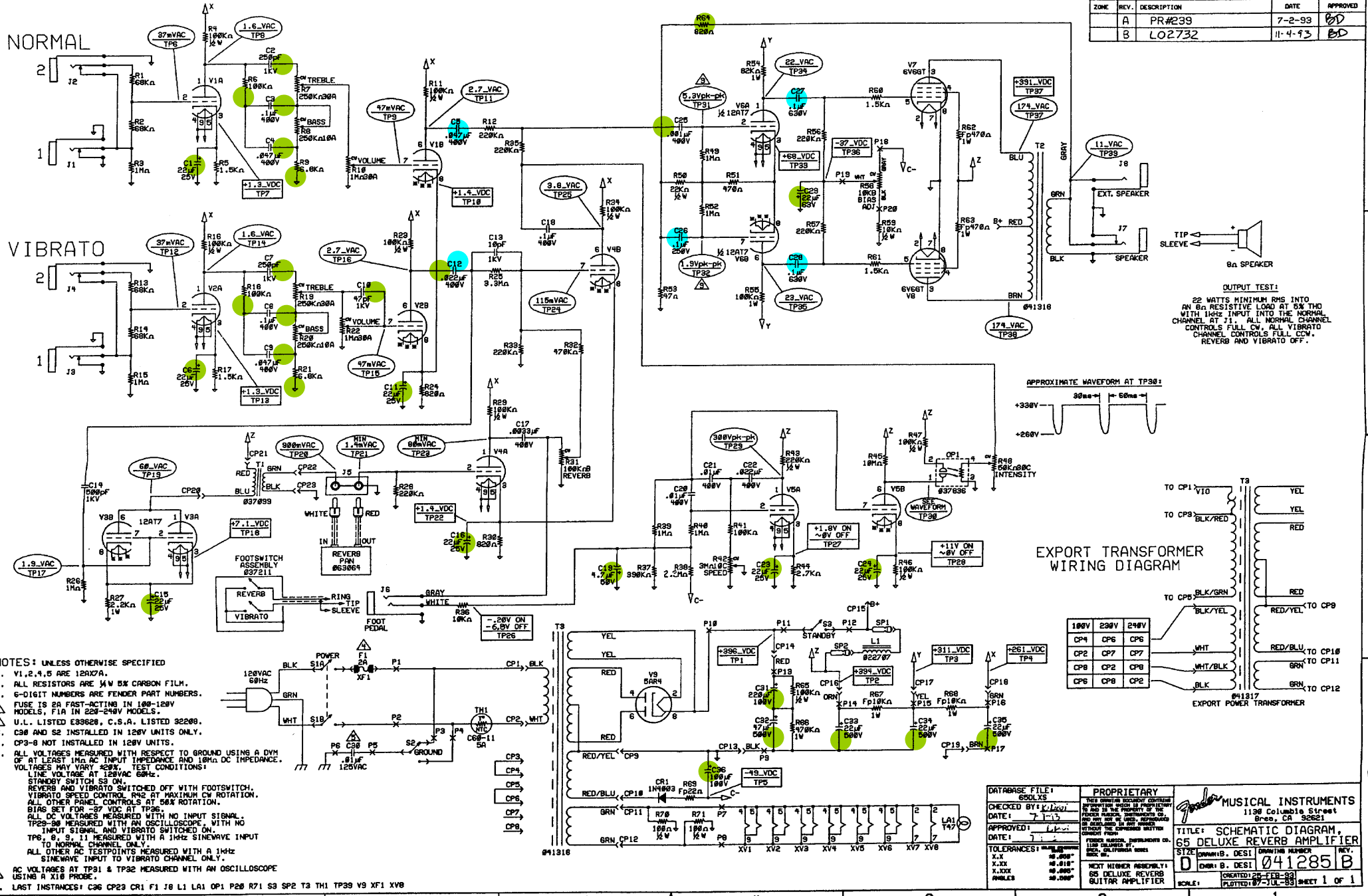
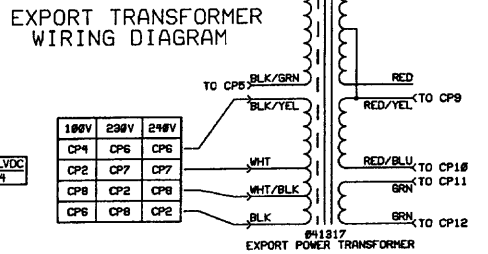
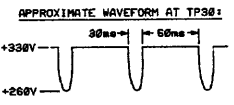


| REVISIONS | | | | |
|-----------|--------|-------------|---------|----------|
| ZONE | REV. | DESCRIPTION | DATE | APPROVED |
| A | PR#239 | | 7-2-93 | BD |
| B | LO2732 | | 11-4-93 | BD |



OUTPUT TEST:
 22 WATTS MINIMUM RMS INTO AN 8Ω RESISTIVE LOAD AT 6% THD WITH 1kHz INPUT INTO THE NORMAL CHANNEL AT 71. ALL NORMAL CHANNEL CONTROLS FULL CW. ALL VIBRATO CHANNEL CONTROLS FULL CCW. REVERB AND VIBRATO OFF.

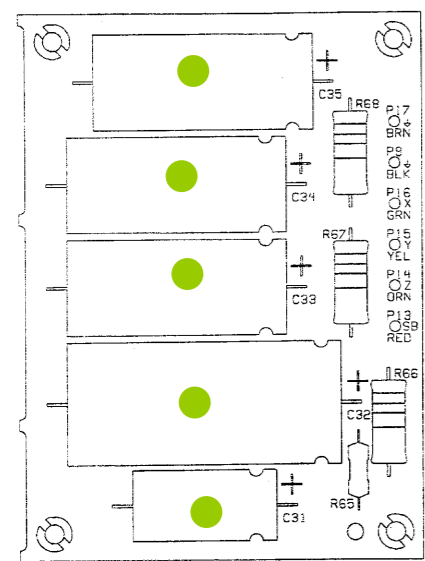
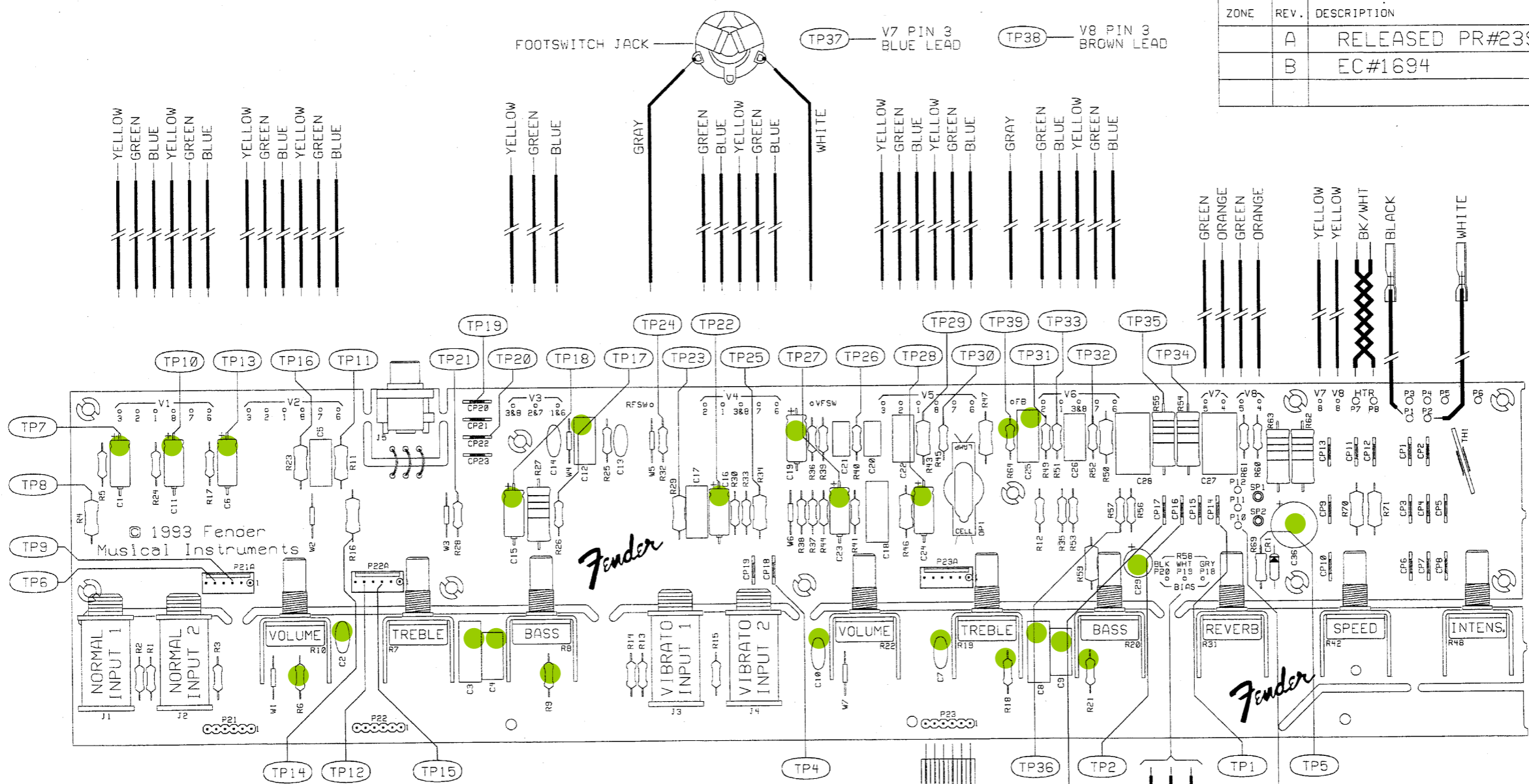


NOTES: UNLESS OTHERWISE SPECIFIED

- V1, 2, 4, 5 ARE 12AX7A.
- ALL RESISTORS ARE 1/4 W 5% CARBON FILM.
- 6-DIGIT NUMBERS ARE FENDER PART NUMBERS.
- FUSE IS 2A FAST-ACTING IN 100-120V MODELS, 1A IN 220-240V MODELS.
- U.L. LISTED C39620, C.S.A. LISTED 32200.
- C30 AND S2 INSTALLED IN 120V UNITS ONLY.
- CP3-8 NOT INSTALLED IN 120V UNITS.
- ALL VOLTAGES MEASURED WITH RESPECT TO GROUND USING A DVM OF AT LEAST 1MΩ AC INPUT IMPEDANCE AND 10MΩ DC IMPEDANCE. VOLTAGES MAY VARY 20% TEST CONDITIONS.
- LINE VOLTAGE AT 120VAC 60Hz.
- STANDBY SWITCH S2 ON.
- REVERB AND VIBRATO SWITCHED OFF WITH FOOTSWITCH.
- VIBRATO SPEED CONTROL R42 AT MAXIMUM CW ROTATION.
- ALL OTHER PANEL CONTROLS AT 50% ROTATION.
- BIAS SET FOR -37 VDC AT TP26.
- ALL DC VOLTAGES MEASURED WITH NO INPUT SIGNAL.
- TP29-30 MEASURED WITH AN OSCILLOSCOPE, WITH NO INPUT SIGNAL AND VIBRATO SWITCHED ON TO NORMAL CHANNEL ONLY.
- TP6, 8, 9, 11 MEASURED WITH A 1kHz SINEWAVE INPUT TO NORMAL CHANNEL ONLY.
- ALL OTHER AC TESTPOINTS MEASURED WITH A 1kHz SINEWAVE INPUT TO VIBRATO CHANNEL ONLY.
- AC VOLTAGES AT TP31 & TP32 MEASURED WITH AN OSCILLOSCOPE USING A X10 PROBE.
- LAST INSTANCES: C36 CP23 CR1 F1 J8 L1 LA1 OP1 P20 R71 S3 SP2 T3 TH1 TP39 Y9 XF1 XVB

| | | |
|---|--|--|
| DATABASE FILE: 65DLX3 CHECKED BY: K. K... DATE: 7-1-93 APPROVED: [Signature] DATE: 7-1-93 | PROPRIETARY THIS DOCUMENT CONTAINS THE DESIGN AND CONSTRUCTION OF THE PRODUCT OF FENDER MUSICAL INSTRUMENTS CO. ANY REPRODUCTION OR DISSEMINATION OF THIS DOCUMENT WITHOUT THE WRITTEN CONSENT OF FENDER MUSICAL INSTRUMENTS CO. IS STRICTLY PROHIBITED. FENDER MUSICAL INSTRUMENTS CO. 1130 COLUMBIA STREET GARDEN GROVE, CA 92621 | Fender MUSICAL INSTRUMENTS 1130 Columbia Street Gardena, CA 92621 TITLE: SCHEMATIC DIAGRAM, 65 DELUXE REVERB AMPLIFIER SIZE: [Blank] DESI: [Blank] DRAWING NUMBER: [Blank] D [Blank] DESI: [Blank] 041285 B DATE: [Blank] REV: [Blank] SCALE: [Blank] |
|---|--|--|

| REVISIONS | | | | |
|-----------|------|-----------------|---------|----------|
| ZONE | REV. | DESCRIPTION | DATE | APPROVED |
| | A | RELEASED PR#239 | 7-2-93 | |
| | B | EC#1694 | 5-13-96 | |



PCB SHOWN AS FABRICATED,
EXCEPT WITH CAPACITOR BREAK-
AWAY BOARD SEPARATED

FLEX CABLE INSTALLED
AT P21, P22 AND P23
(3 PLACES)

INSTALLED AT P10 — GRAY
INSTALLED AT P11 — GRAY
INSTALLED AT P12 — GRAY

| | |
|---------------------------|-----------------|
| FILM/DWG: SERVICE DIAGRAM | |
| DATABASE: 65DLXSER | DATE: 07-JUN-96 |
| LAYERS PLOTTED: 1 2 3 4 | 10 |
| 15 | 19 |

| | |
|---------------------------------------|--|
| DATABASE FILE: 65DLXSER | PROPRIETARY |
| CHECKED BY: | THIS DRAWING DOCUMENT CONTAINS INFORMATION WHICH IS PROPRIETARY TO AND IS THE PROPERTY OF THE FENDER MUSICAL INSTRUMENTS CO. AND MAY NOT BE USED, REPRODUCED OR DISCLOSED IN ANY MANNER WITHOUT THE EXPRESSED WRITTEN CONSENT FROM: |
| DATE: | FENDER MUSICAL INSTRUMENTS CO. REGIONAL HEADQUARTERS 2621 RESEARCH DRIVE CORONA, CA 91720 USA |
| APPROVED: | NEXT HIGHER ASSEMBLY: 65 DELUXE REVERB GUITAR AMPLIFIER |
| DATE: | |
| TOLERANCES: UNLESS OTHERWISE NOTED | |
| X.X | ±0.050" |
| X.XX | ±0.010" |
| X.XXX | ±0.005" |
| ANGLES | ±0.500° |

| | |
|---|--|
| Fender MUSICAL INSTRUMENTS 2621 Research Drive Corona, CA 91720 USA | |
| TITLE: SERVICE DIAGRAM 65 DELUXE REVERB AMPLIFIER | |
| SIZE: DRAWN: B. DESI | DRAWING NUMBER: 041287 |
| REV: B | ENGR: B. DESI |
| SCALE: | CREATED: 02-JUN-93 PLOTTED: 07-JUN-96 |
| SHEET 1 OF 1 | |