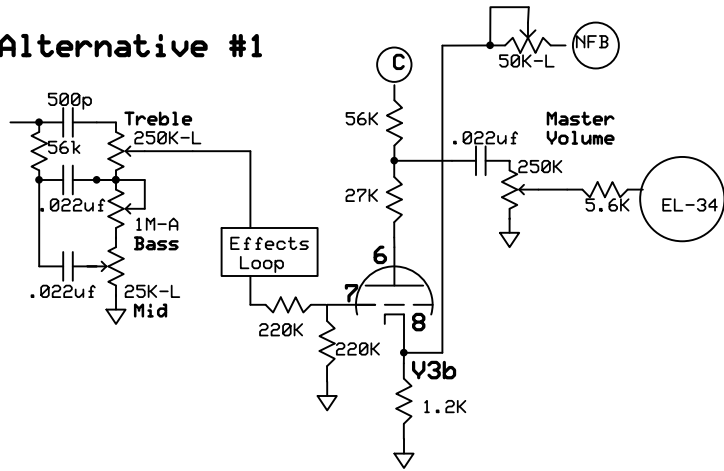
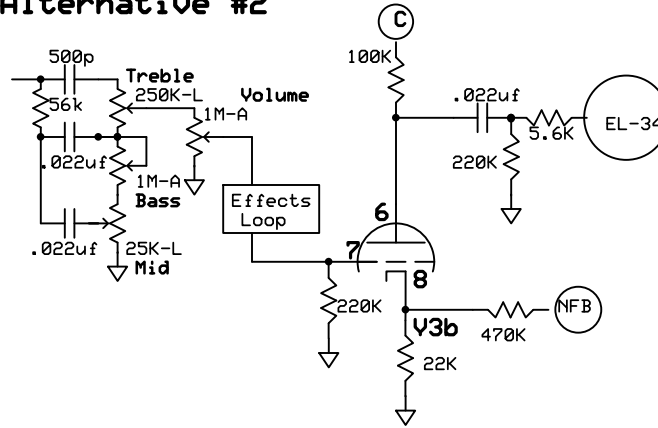


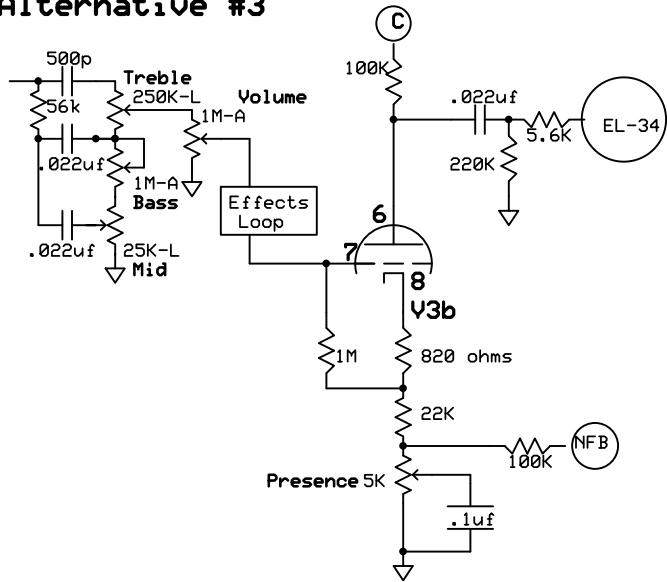
Alternative #1



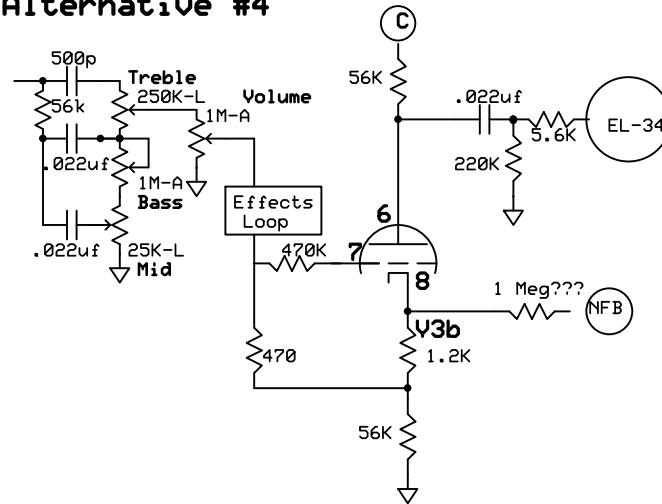
Alternative #2



Alternative #3



Alternative #4



Company Name		
Schematic Name		
Designer's name	Rev 1.0 8/5/2011	Page # or name