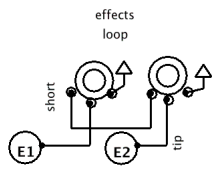
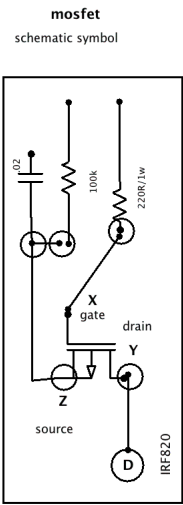
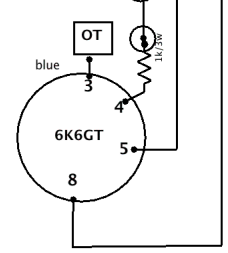
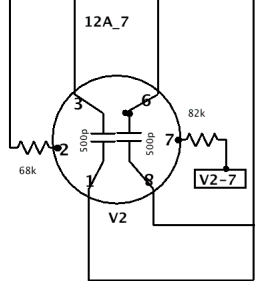
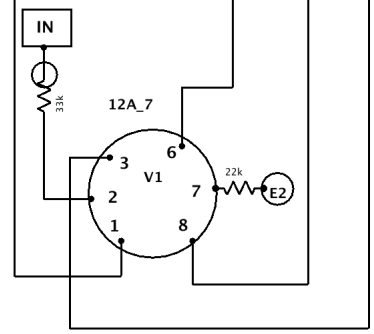


X = grid  
 Y = plate  
 Z = cathode



# Carolina SongBird 8-13-11

Check for errors  
 Compare w/schematic