

Circuit Description — Type 545A

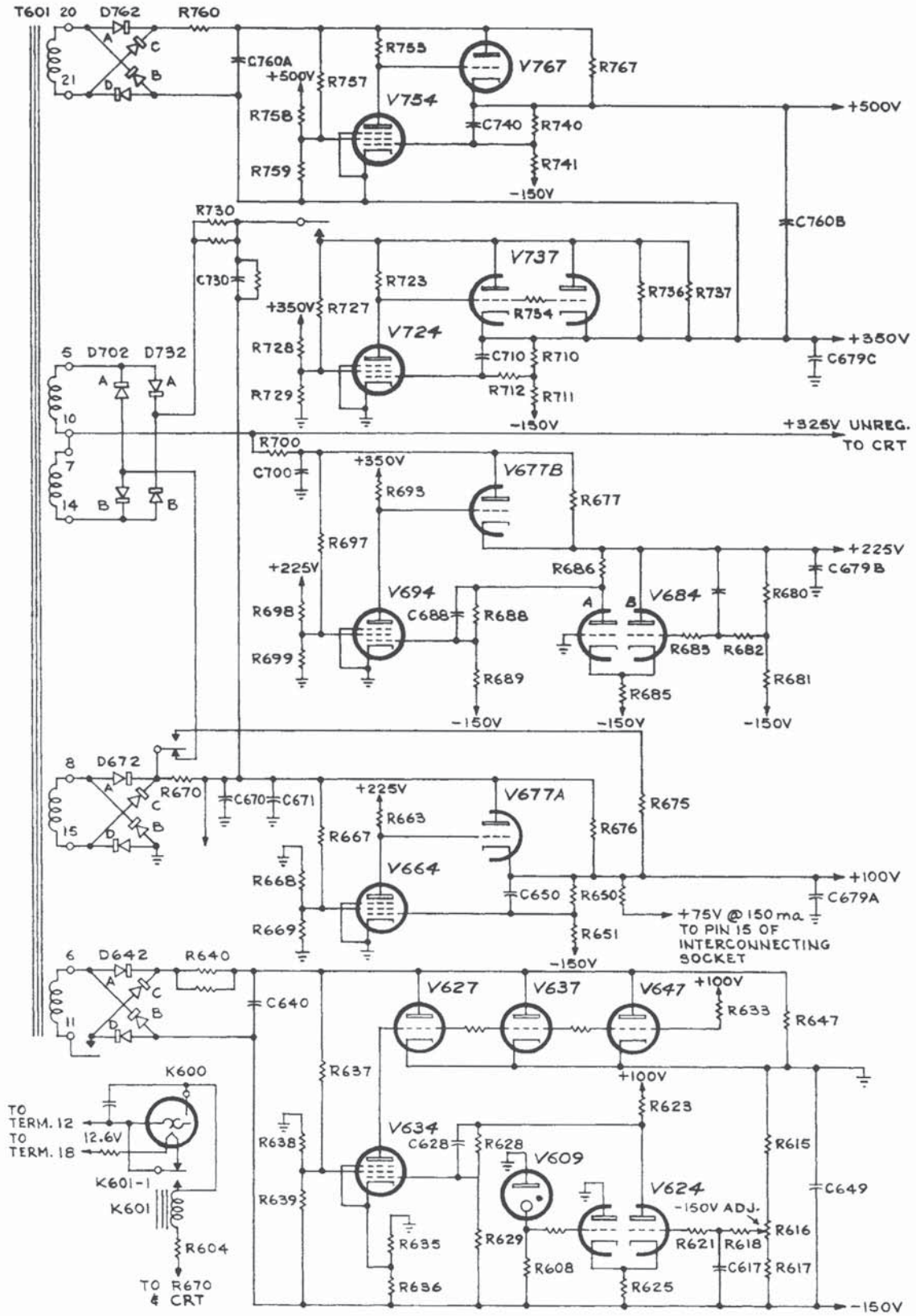


Fig. 4-8. Simplified Low-Voltage Power Supply.