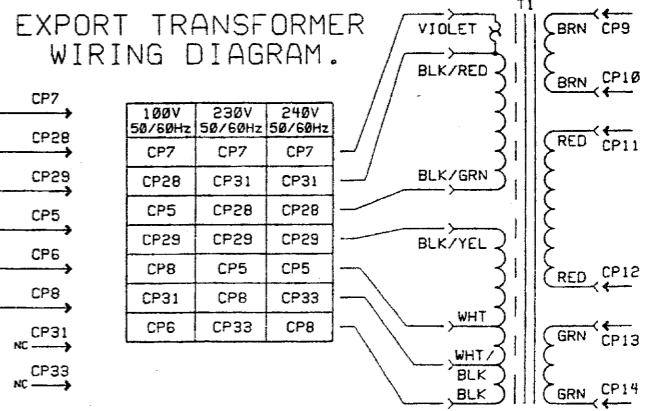
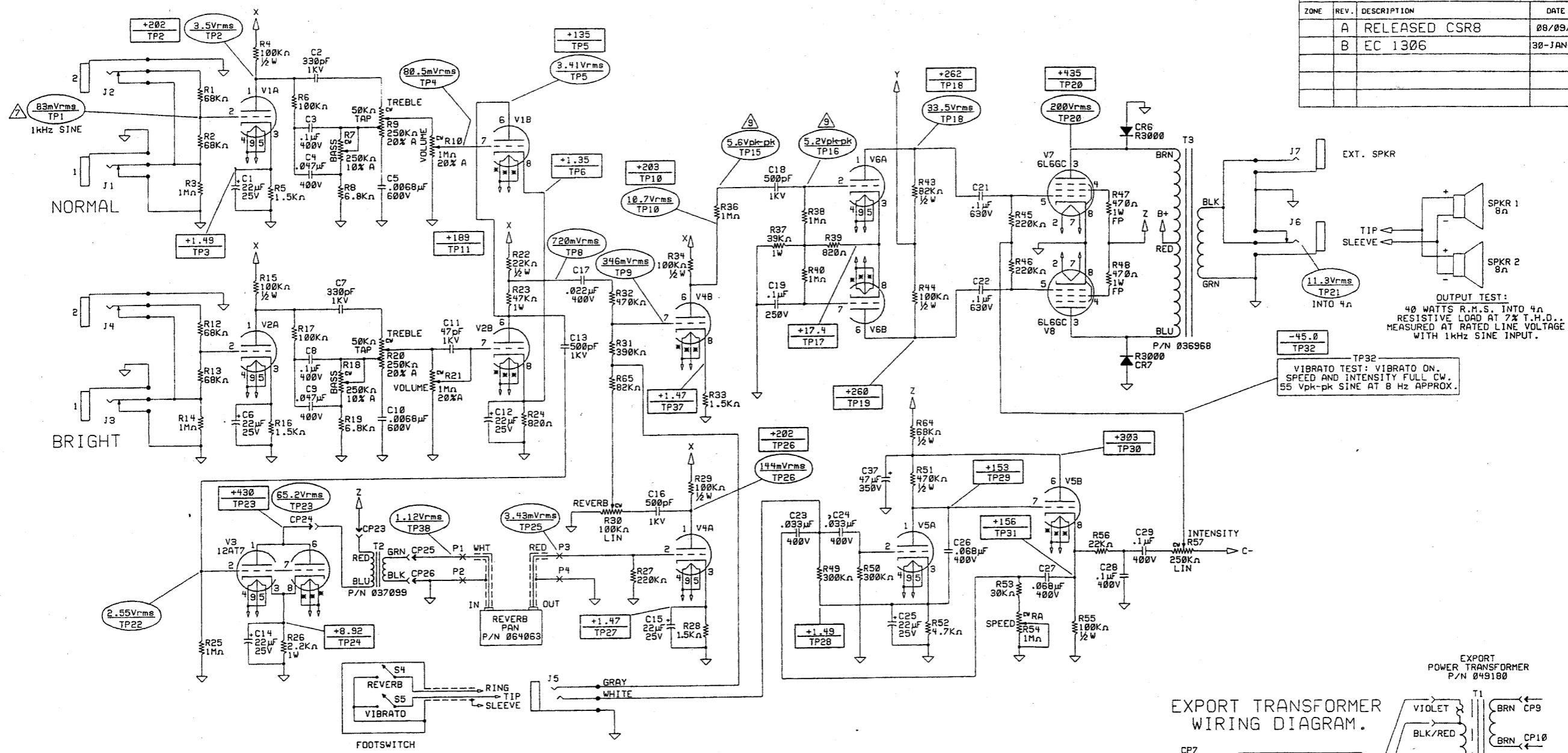


REVISIONS				
ZONE	REV.	DESCRIPTION	DATE	APPROVED
	A	RELEASED CSR8	08/09/94	
	B	EC 1306	30-JAN-95	<i>MMW</i>



NOTES: 1.) V1,2,4,5,6 ARE 12AX7A.
 2.) ALL RESISTORS 1/4 WATT CARBON FILM UNLESS NOTED OTHERWISE.
 3.) EXTERNAL LINE FUSE 3 AMP IN 100V AND 120V MODELS. F1.6A IN 230V AND 240V MODELS.
 4.) (NONE)
 5.) TP5 DELETED.
 6.) ALL VOLTAGES MEASURED WITH RESPECT TO GROUND USING A DVM OF AT LEAST 1MΩ AC INPUT IMPEDANCE AND OF 10 MΩ DC INPUT IMPEDANCE. VOLTAGES MAY VARY ± 20%.
 TEST CONDITIONS:
 LINE VOLTAGE AT 120.0 VAC AT 60 Hz.
 REVERB AND VIBRATO OFF.
 REVERB AND VIBRATO CONTROLS FULL CCW.
 ALL VOLUME AND TONE CONTROLS AT 50% ROTATION.
 DC VOLTAGES MEASURED WITH NO AC SIGNAL PRESENT.

7.) AC TEST POINTS TP1,2,4 MEASURED WITH NO SIGNAL PRESENT AT THE BRIGHT CHANNEL INPUT. VOLTAGE AT TP1 ADJUSTED TO OBTAIN 11.3 Vrms OUTPUT VOLTAGE (ONSET OF CLIPPING).
 8.) (NONE)
 9.) AC VOLTAGES AT TP15, TP16 MEASURED WITH AN OSCILLOSCOPE USING A X10 PROBE.
 10.) SIX-DIGIT NUMBERS ARE FENDER PART NUMBERS.

11.) INSTANCES DELETED: CP3, CP4, CP5, CP6, R11, R35, R41, R42, C20, C38, CP32

DATABASE FILE: CSR8S.DBF CHECKED BY: <i>MMH</i> DATE: <i>2-20-95</i> APPROVED: <i>MMW</i> DATE: <i>2/20/95</i> TOLERANCES: UNLESS OTHERWISE NOTED X.X .05" X.XX .01" X.XXX .005" ANGLES .500°	PROPRIETARY THIS DRAWING DOCUMENT CONTAINS INFORMATION WHICH IS PROPRIETARY TO AND IS THE PROPERTY OF THE FENDER MUSICAL INSTRUMENTS CO. AND MAY NOT BE USED, REPRODUCED OR DISCLOSED IN ANY MANNER WITHOUT THE EXPRESSED WRITTEN CONSENT FROM: FENDER MUSICAL INSTRUMENTS CO. REGIONAL HEADQUARTERS 2621 RESEARCH DRIVE CORONA, CA 91720 USA NEXT HIGHER ASSEMBLY:	MUSICAL INSTRUMENTS 2621 Research Drive Corona, CA 91720 USA TITLE: SCHEMATIC CUSTOM VIBROLUX REVERB AMPLIFIER SIZE: D DRAWN: WH/MDW DRAWING NUMBER: 047554B ENGR: ZINKY CREATED: 20-OCT-94 PLOTTED: 31-JAN-95 SHEET 1 OF 1
---	---	--

0047557000