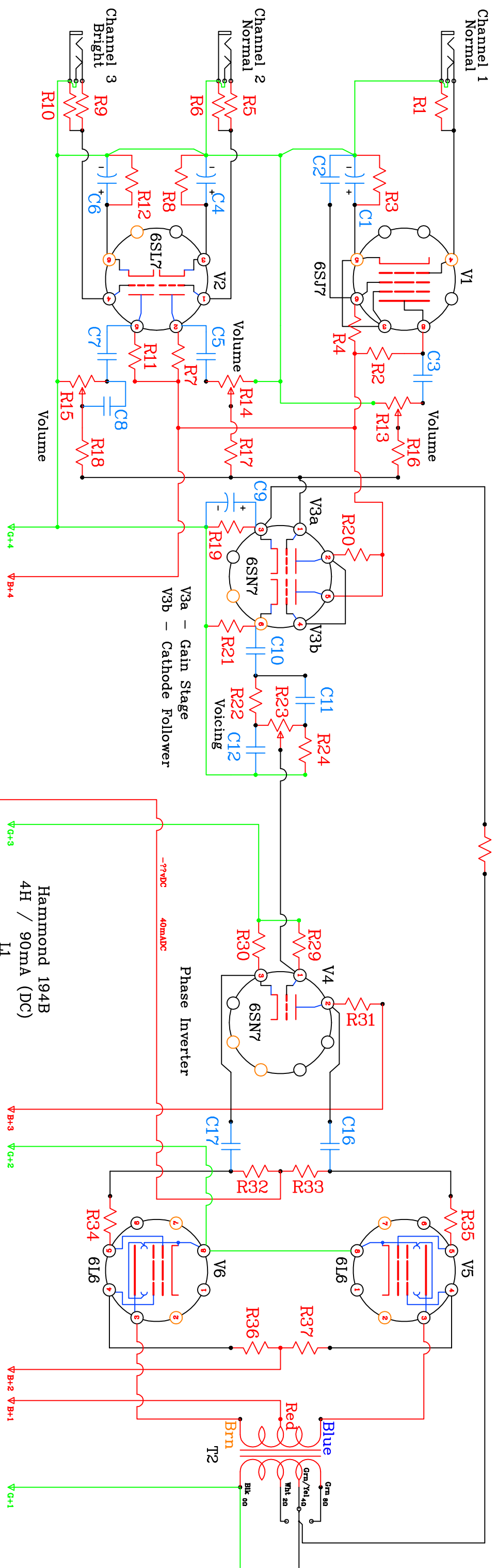
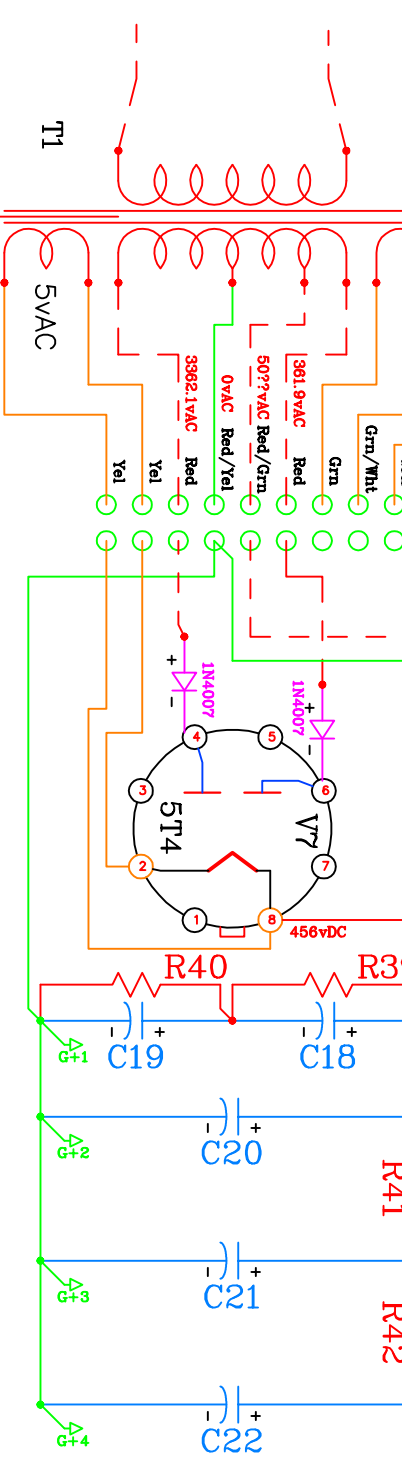


Hammond 1750M
4.2K Pri
2-4-8Ω Sec/50W



Hammond 290DX
325v-0-325v-230mA
5v-3A / 6.3v-4A



Tube No.	Tube Type	Pin 1	Pin 2	Pin 3	Pin 4	Pin 5	Pin 6	Pin 7	Pin 8
V1	6SL7	--	--	1.3	--	1.3	38.2	--	51.1
V2	6SL7	--	201.5	1.9	--	201.7	1.9	--	--
V3	6SN7	--	53.7	1.3	53.6	328.2	107.7	--	--
V4	6SN7	--	346.5	18.5	--	--	--	--	--
V5	6L6	--	--	453.2	452.9	--	--	--	--
V6	6L6	--	--	452	451.9	--	--	--	--
V7	5T4	--	5.1	--	3361.9	--	362.1	--	456

REV	DATE	DRWN BY	CHKD BY	APPD BY	DESCRIPTION	PROJECT NUMBER	VENDOR/CLIENT DWG. NO.	REV.
A	19Nov11	AJH			Initial Drawing	001	SL-1	C
B	17Dec11	AJH			Change PI			
C	25Dec11	AJH			Add Voltage Table			

<u>Component</u>	<u>Value</u>		<u>Component</u>	<u>Value</u>
R1	1M		C1	25uf-25v Elec
R2	270K		C2	.047uf-400v
R3	1K		C3	.01uf-400v
R4	1M		C4	25uf-25v Elec
R5	33K		C5	.047uf-400v
R6	1M		C6	25uf-25v Elec
R7	100K		C7	.047uf-400v
R8	1.5K		C8	120pf-400v
R9	33K		C9	25uf-25v Elec
R10	1M		C10	.022uf-400v
R11	100K		C11	.001uf-400v
R12	1.5K		C12	.001uf-400v
R13	500K-A Pot		C13	
R14	1M-A Pot		C14	
R15	1M-A Pot		C15	
R16	270K		C16	.1uf-400v
R17	220K		C17	.1uf-400v
R18	220K		C18	80uf-350v
R19	1.5K		C19	80uf-350v
R20	100K		C20	16uf-450v Elec
R21	100K		C21	16uf-450v Elec
R22	470K		C22	16uf-450v Elec
R23	2M-L Pot		C23	25uf-50v Elec
R24	470K			
R25				
R26				
R27				
R28				
R29	1M			
R30	47K			
R31	82K-5%			
R32	220K-5%			
R33	220K-5%			
R34	1.5K			
R35	1.5K			
R36	470-1W			
R37	470-1W			
R38	820			
R39	220K-1W			
R40	220K-1W			
R41	10K-1W			
R42	10K-1W			
R43	470-1W			
R44	10K-L Pot			
R45	22K			