



CHALLENGER MODEL  
CHA75



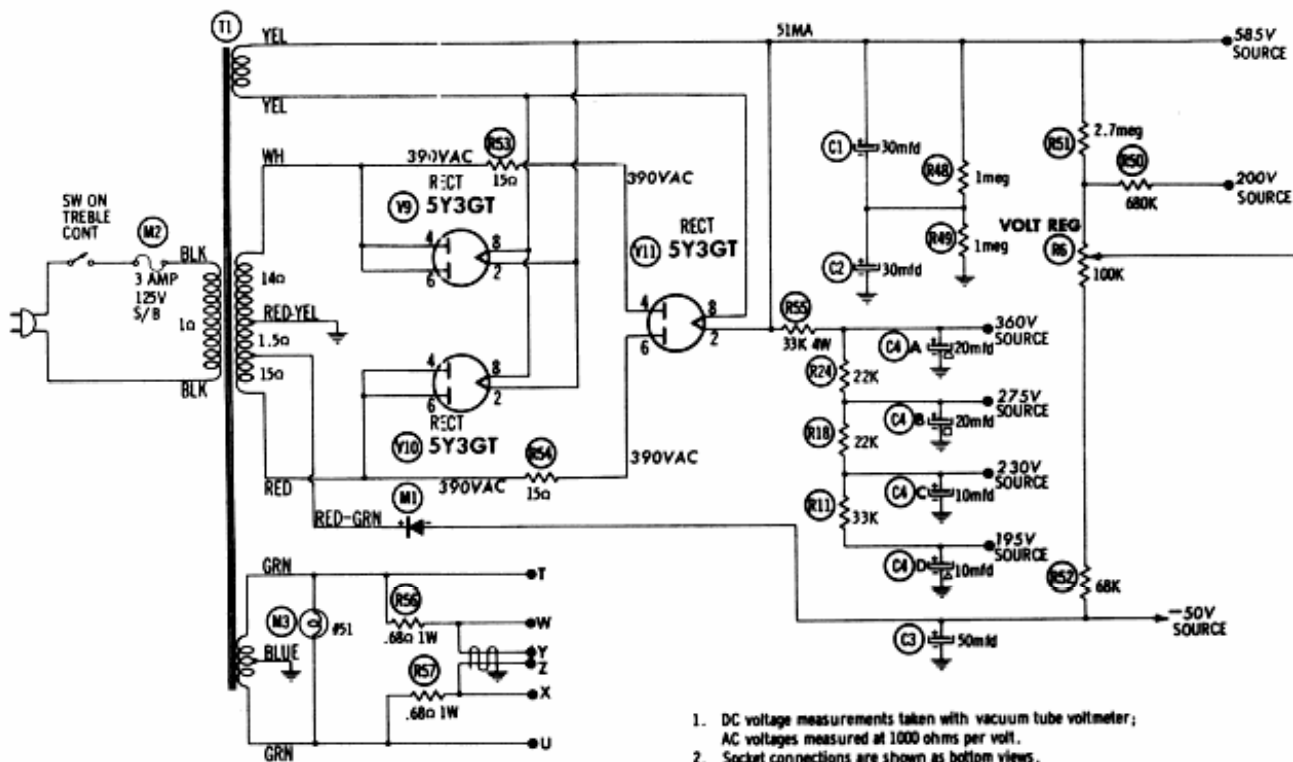
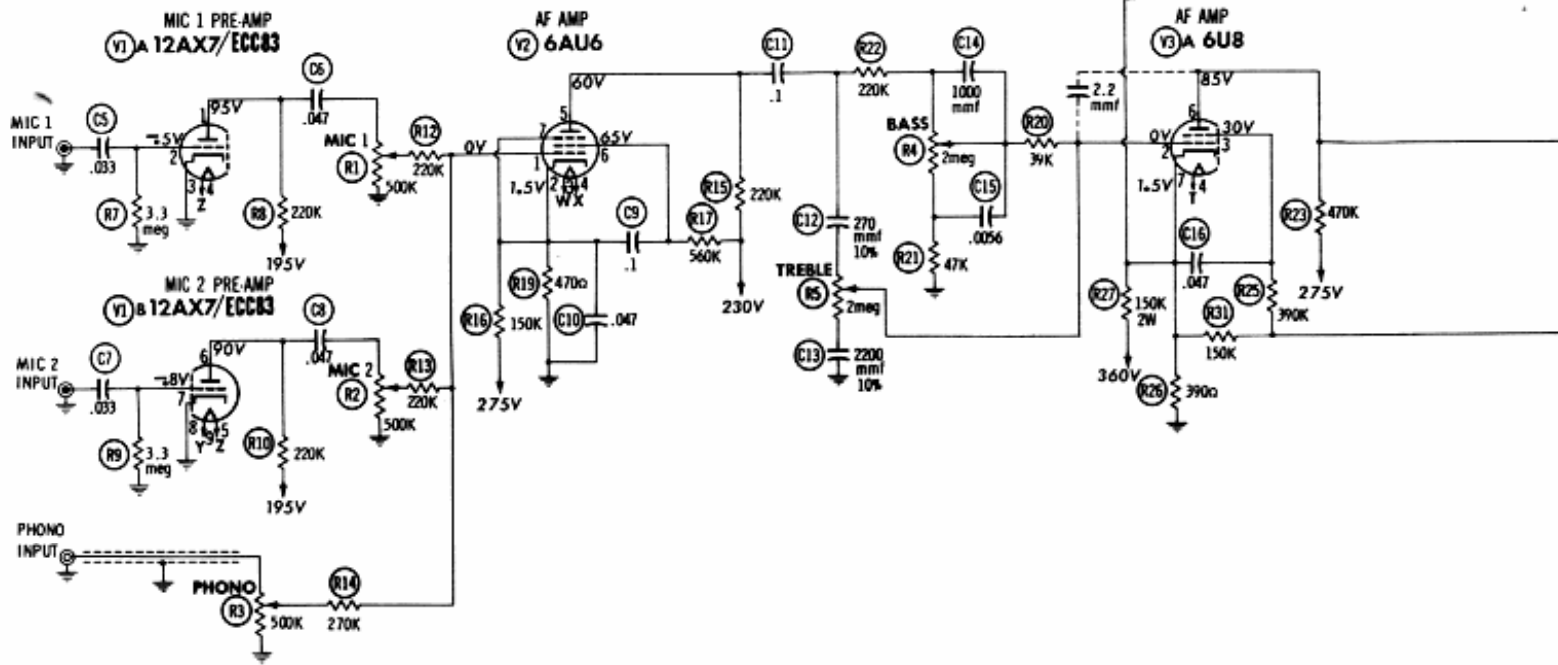
CHALLENGER MODEL  
CHA75

TRADE NAME	Challenger Model CHA75	
MANUFACTURER	Challenger Amplifier Co., P. O. Box 500, Paramus, N. J.	
TYPE SET	AC Operated 3 Channel 75 Watt Audio Amplifier	
TUBES (Eleven)	Types 12AX7/ECC83 Mic Preamplifier, 6AU6 AF Amplifier, 6U8 AF Amp. -Phase Inv., (4) 6AV5GA Output, 6CM7 Volt. Reg. -Volt Cont., (3) 5Y3GT Rectifier	
POWER SUPPLY	110-120 Volts AC-60 Cycles	RATING 1.1 Amp. @ 117 Volts AC (125 Watts)

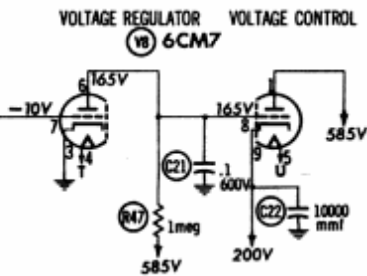
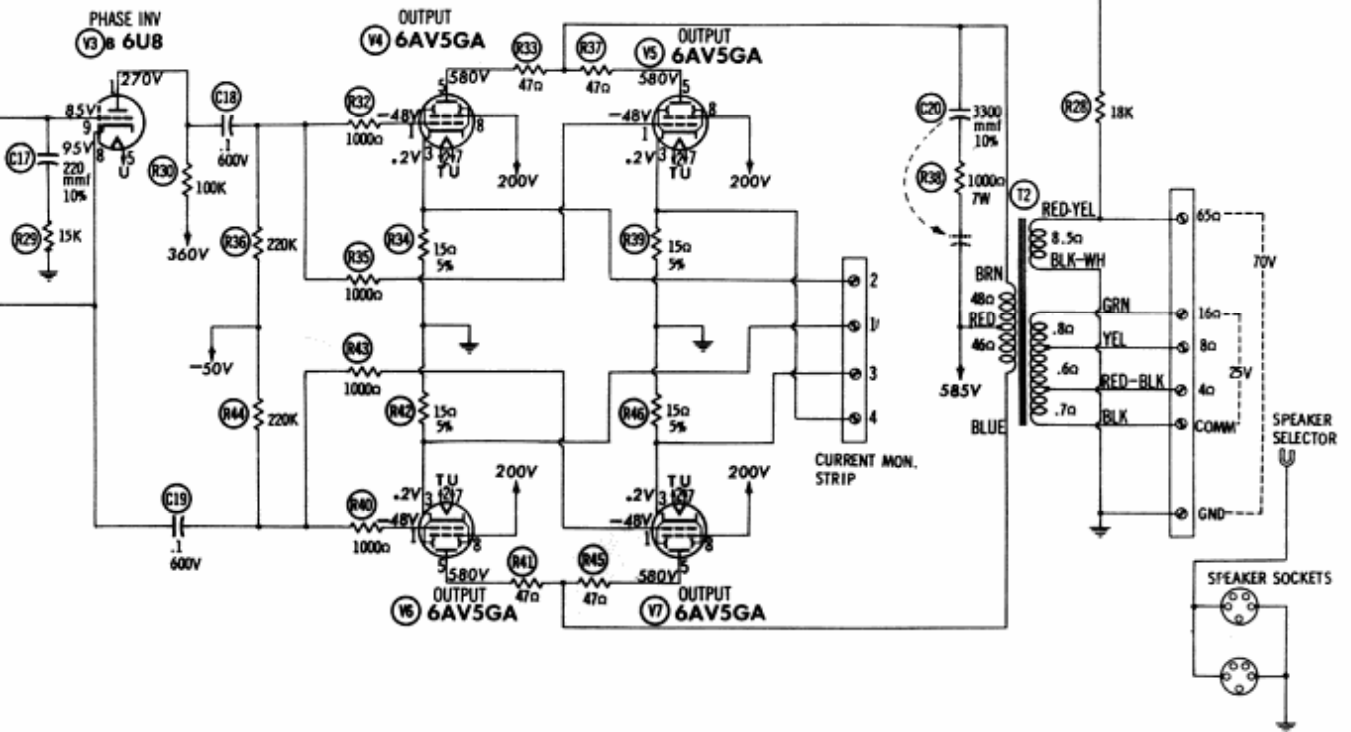
**HOWARD W. SAMS & CO., INC. • Indianapolis 5, Indiana**

The listing of any available replacement part herein does not constitute in any case a recommendation, warranty or guaranty by Howard W. Sams & Co., Inc., as to the quality and suitability of such replacement part. The numbers of these parts have been compiled from information furnished to Howard W. Sams & Co., Inc., by the manufacturers of H362

the particular type of replacement part listed. Reproduction or use, without express permission, of editorial or pictorial content, in any manner, is prohibited. No patent liability is assumed with respect to the use of the information contained herein. © 1958 Howard W. Sams & Co., Inc., Indianapolis 5, Indiana. Printed in U.S. of America



1. DC voltage measurements taken with vacuum tube voltmeter; AC voltages measured at 1000 ohms per volt.
2. Socket connections are shown as bottom views.
3. Measured values are from socket pin to common negative.
4. Line voltage maintained at 117 volts for voltage readings.
5. Nominal tolerance of component values makes possible a variation of ±15% in voltage and resistance readings.
6. All controls at minimum, proper output load connected.



RESISTANCE READINGS

ITEM	TUBE	Pin 1	Pin 2	Pin 3	Pin 4	Pin 5	Pin 6	Pin 7	Pin 8	Pin 9
V1	12AX7 ECC83	† 130K	3.3meg	0a	.6a	.6a	† 130K	3.3meg	0a	.6a
V2	6AU6	90K	470a	.6a	.6a	† 130K	† 630K	470a		
V3	6U8	† 130K	85K	† 630K	.1a	.1a	† 520K	390a	150K	† 520K
V4	6AV5GA	. 220K	.1a	15a	NC	† 103a	NC	.1a	† 1meg	
V5	6AV5GA	. 220K	.1a	15a	NC	† 103a	NC	.1a	† 1meg	
V6	6AV5GA	. 220K	.1a	15a	NC	† 103a	NC	.1a	† 1meg	
V7	6AV5GA	. 220K	.1a	15a	NC	† 103a	NC	.1a	† 1meg	
V8	6CM7	† 0a	NC	0a	.1a	.1a	† 1meg	. 80K	† 1meg	. 820K
V9	5Y3GT	NC	20K (MIN)	NC	14a	NC	14a	NC	20K (MIN)	
V10	5Y3GT	NC	20K (MIN)	NC	16.5a	NC	16.5a	NC	20K (MIN)	
V11	5Y3GT	NC	20K (MIN)	TP	31.5a	NC	29a	TP	20K (MIN)	

† MEASURED FROM PIN 2 OF V11.  
 . MEASURED FROM NEGATIVE TERMINAL OF M1.  
 NC NO CONNECTION.  
 TP TIE POINT.