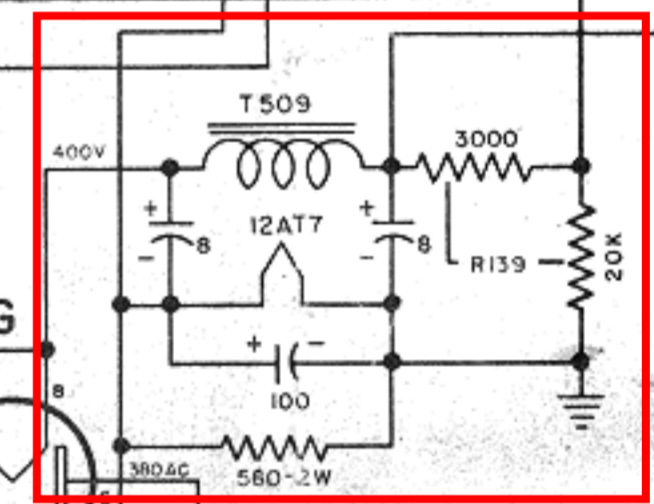


S 385 A	
SWITCH POSITIONS	
1	LP
2	AES
3	NAB
4	ORTHO RIAA
5	EU 78
6	AM 78
7	POP
8	RADIO
9	AUX
10	TAPE

S 388		
SWITCH POSITIONS		
1	- 30	SOFT
2	- 20	
3	- 10	MEDIUM
4	- 5	
5	0	LOUD



NOTE:-(2X8MFD. 500V CAP)  
REPLACE ONLY WITH PLAIN FOIL CAPACITOR. DO NOT USE ETCHED FOIL.

NOTE: ALL CAPACITOR VALUES ARE IN MFD, UNLESS OTHERWISE SPECIFIED.

NOTE: VOLTAGES ARE ALL DC. USE A VACUUM TUBE (11 MEGOHM) VOLT METER. VALUES ARE PIN TO GROUND. NO SIGNAL. 117V AC LINE.

DAVID BOGEN CO., INC.  
NEW YORK 14, N. Y.

**SCHEMATIC**  
**MODEL DB20 DF**

B. RANTOR 6-20-54  
J884  
DB20 DF

884-20 8