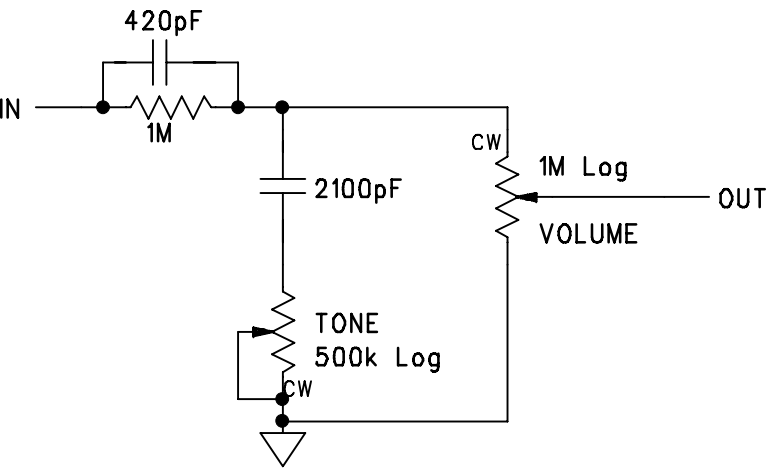
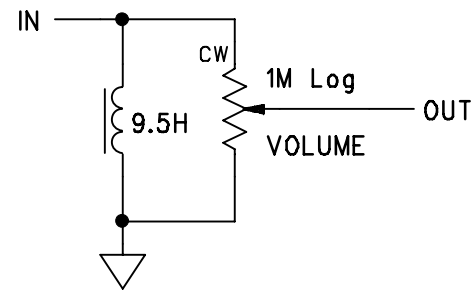


PUSHBUTTON CIRCUIT CONFIGURATIONS

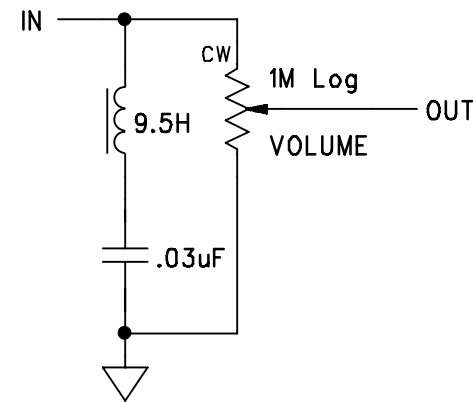
SCHEMATIC REPRESENTATION OF EACH PUSHBUTTON SELECTION



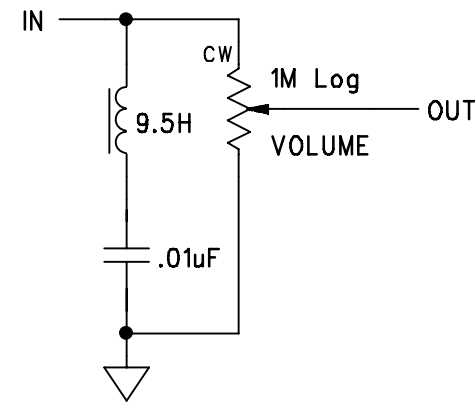
ROTARY CONTROL



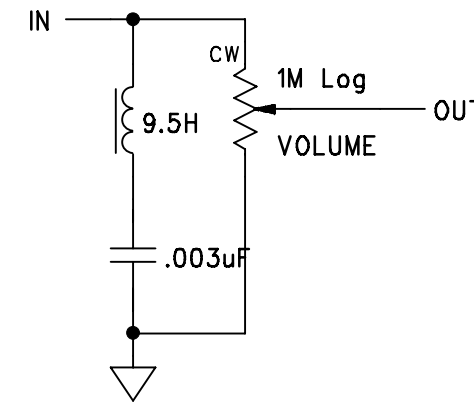
HIGH TREBLE



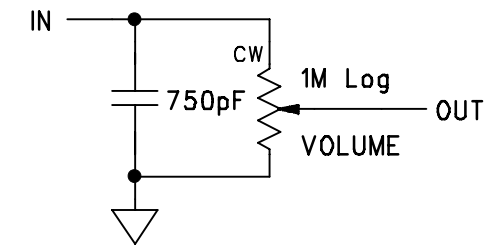
TREBLE



MEDIUM



BASS



LOWBASS