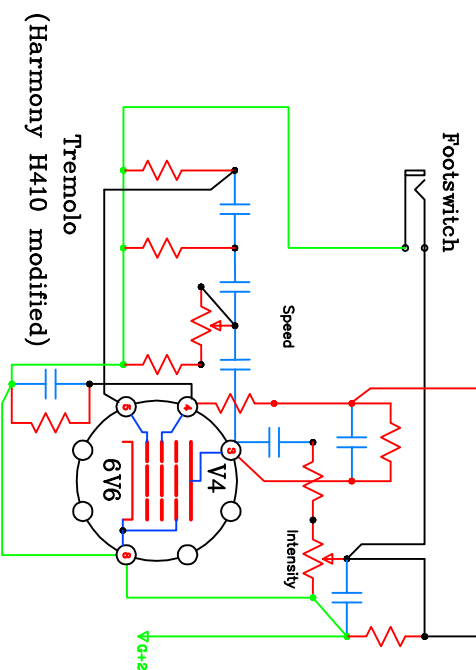
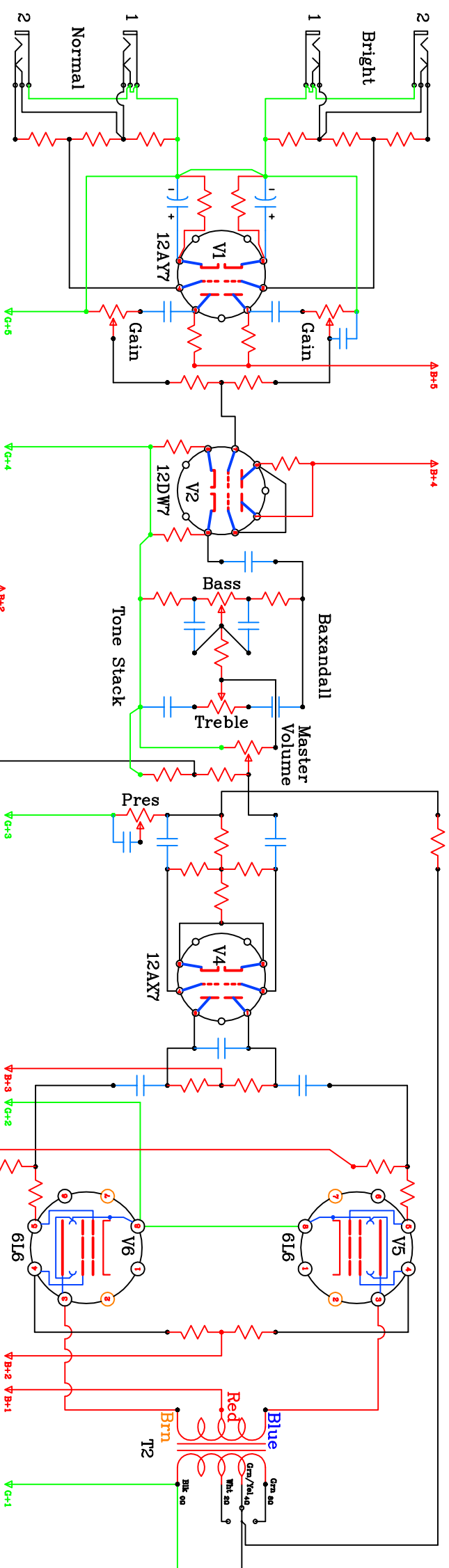
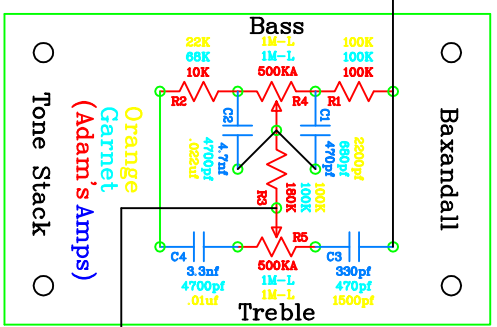


Hammond 1750M
4.2K Pri
2-4-8Q Sec/50W



Hammond 194B
4H / 90mA (DC)



Hammond 290DX
325V-0-325V-230mA
5V-3A / 6.3V-4A

