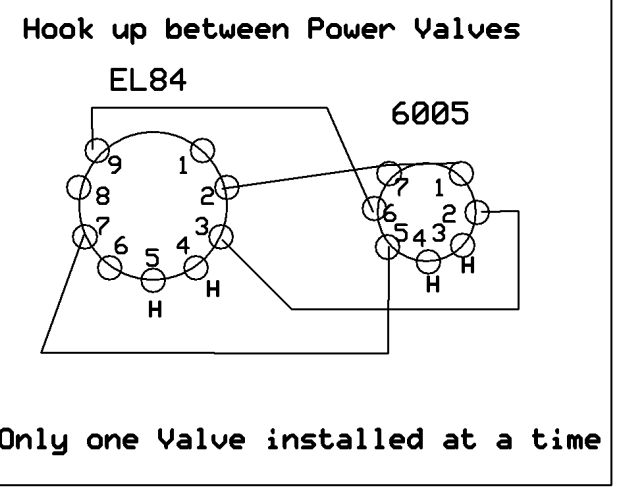


- Tone grounds meet at ground lug and connected to preamp ground point
 Bass VR3 250KA
 Treble VR2 250KA

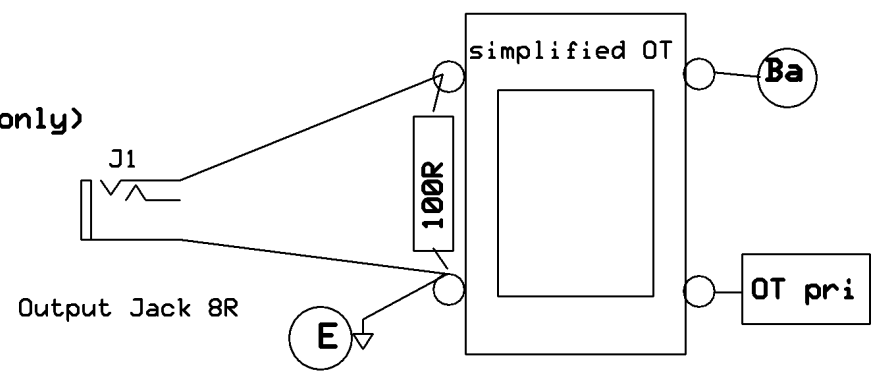
Volume VR1 1Meg A



A - Heater connection (one wire only)

H - heater terminal

OT pri - OT Primary



- Power sup grounds meet at ground lug and connected to Power Sup ground point

Make sure that all components going to ground within a local circuit all connect to the same star ground point

LLamaTone		
Pentone Ex1		
Scot Present	Rev 1.2 1/11/13	Layout 1.2