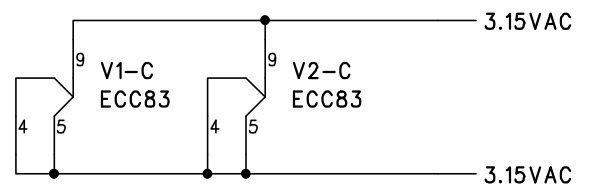
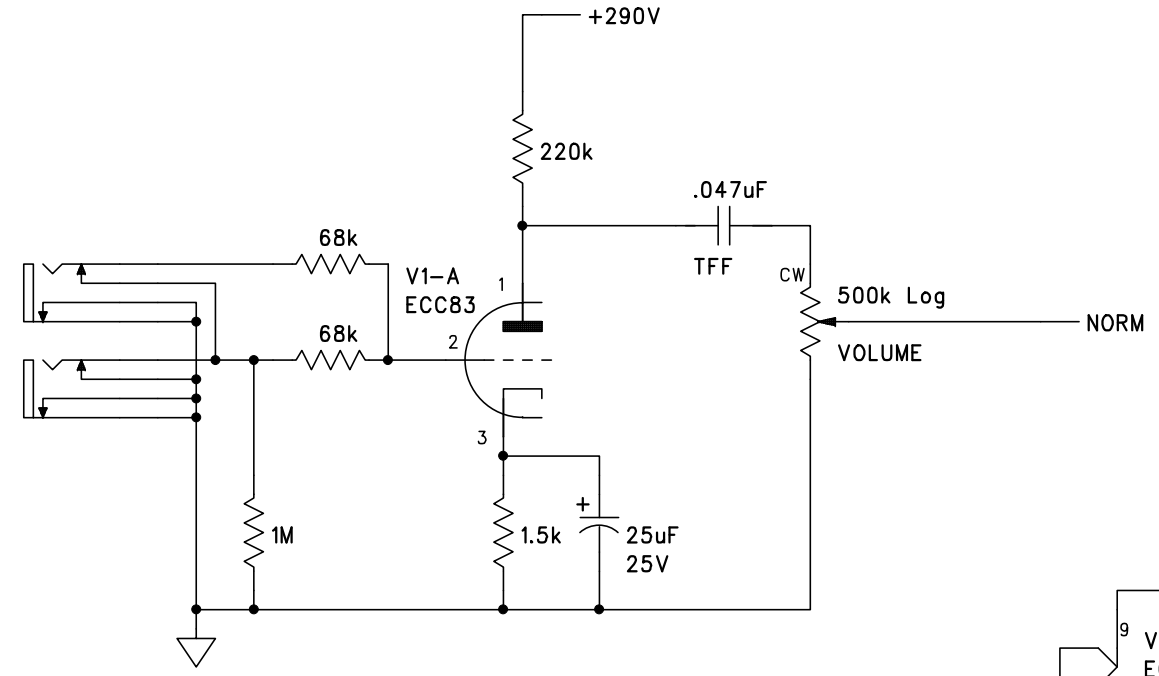
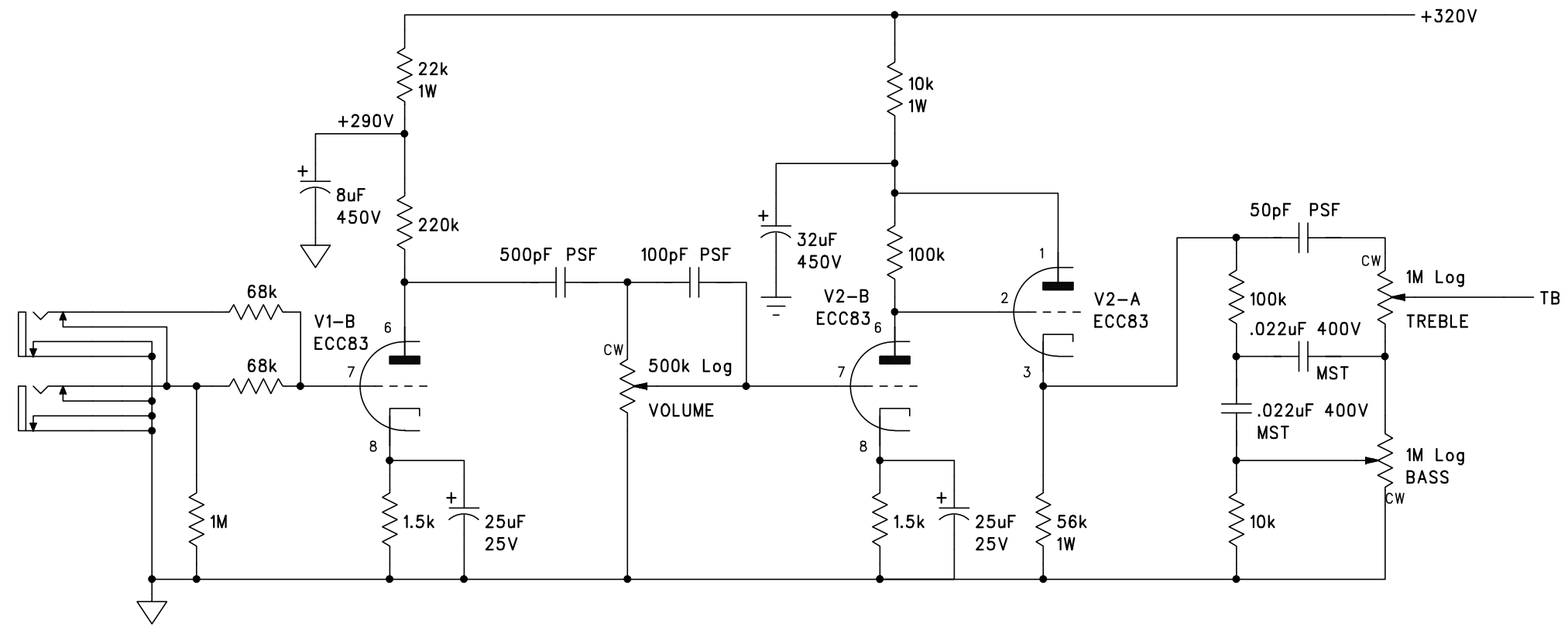



REVISIONS		ENGR	RELEASE DATE
LTR	DESCRIPTION		
A	INITIAL RELEASE		



UNLESS OTHERWISE NOTED, ALL RESISTORS 1/2W
 UNLESS OTHERWISE NOTED, ALL CAPCITORS 400V
 ALL VOLTAGES MEASURED WITH
 RESPECT TO GROUND (FLUKE DMM)

CAPACITOR CODES:
 PSF = Polystyrene Film
 TFF = WIMA Tropyfol
 MST = PHILLIPS Mustard

CONTRACT NO. _____			
APPD. _____ DATE _____			
DWN	T NORTON	07/30/09	SCHEMATIC HOFFMAN VOX 'AC-30' TB & NORMAL PREAMP
CHK	T NORTON	07/30/09	
ENGR			
NEXT ASSEMBLY	USED ON	DSGN SUPY	HERR KOMMANDANT
APPLICATION		SCALE	NONE
SIZE	B	CAGE NO.	DWG NO.
REV	A	UNCLASSIFIED SHEET 1 of 3	

8

7

6

5

4

3

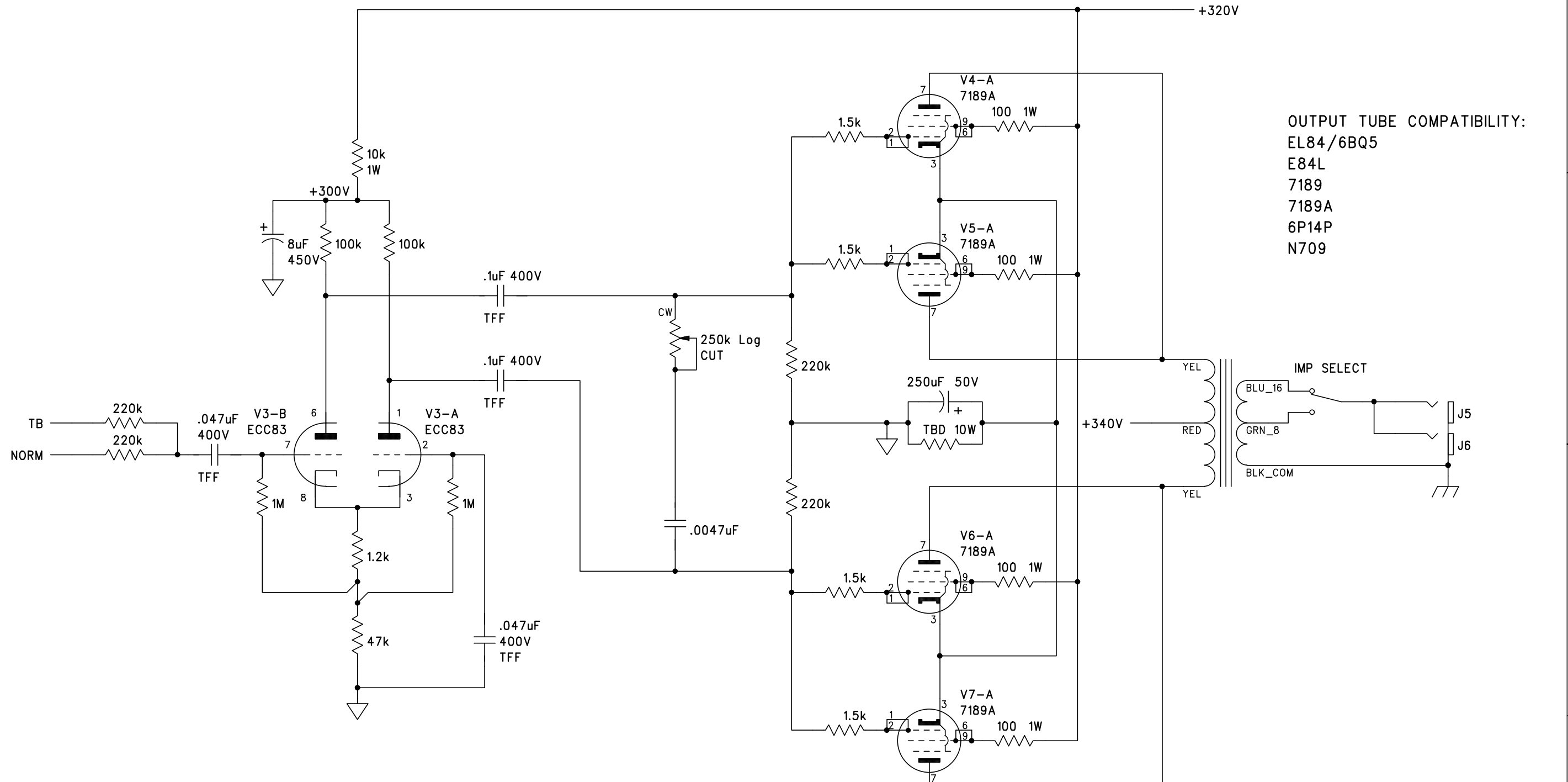
2

1

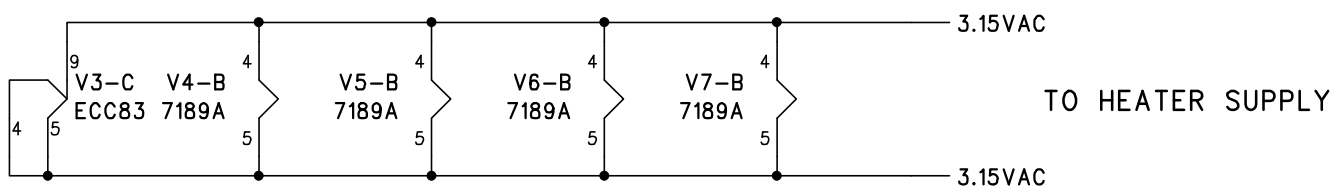
REVISIONS	
LTR	DESCRIPTION
A	SEE SHEET 1


PHASE SPLITTER

POWER AMP



OUTPUT TUBE COMPATIBILITY:
 EL84/6BQ5
 E84L
 7189
 7189A
 6P14P
 N709





SCHEMATIC,
 HOFFMAN VOX 'AC-30'
 PHASE SPLITTER & PWR AMP

SIZE B	CAGE NO.	DWG NO.	REV A
SCALE NONE	UNCLASSIFIED SHEET 2 OF 3		

8

7

6

5

4

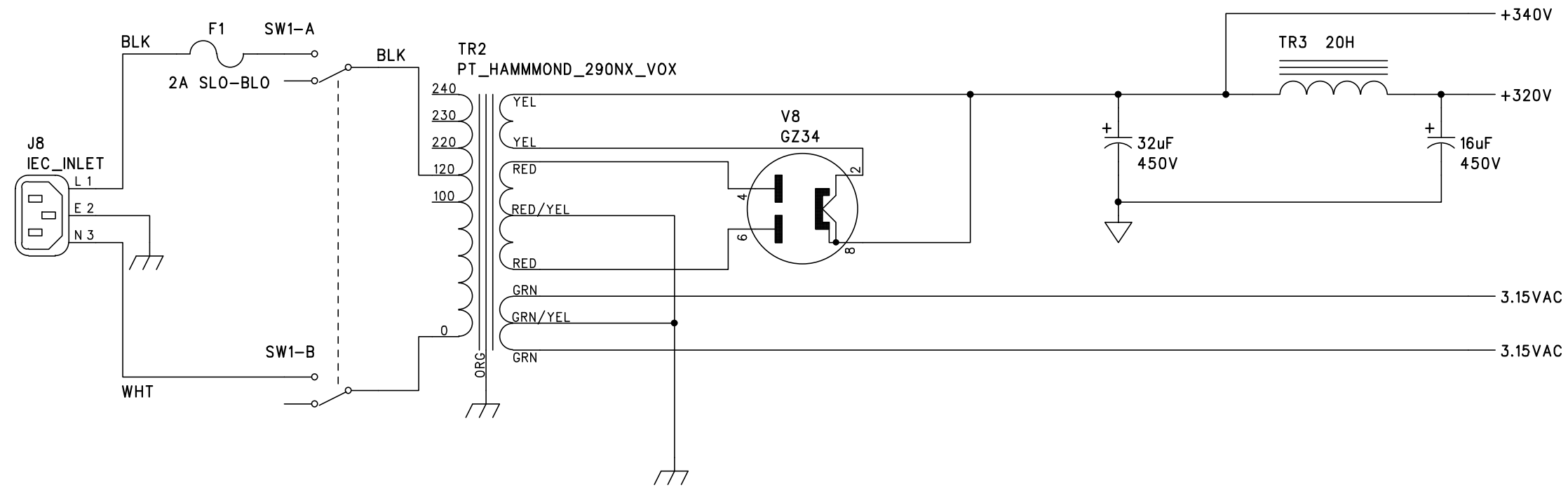
3

2

1

REVISIONS	
LTR	DESCRIPTION
A	SEE SHEET 1

POWER SUPPLY



SCHEMATIC,
HOFFMAN VOX 'AC-30'
POWER SUPPLY

SIZE	CAGE NO.	DRG NO.	REV
B			A
SCALE	UNCLASSIFIED		SHEET 3 OF 3

8

7

6

5

4

3

2

1