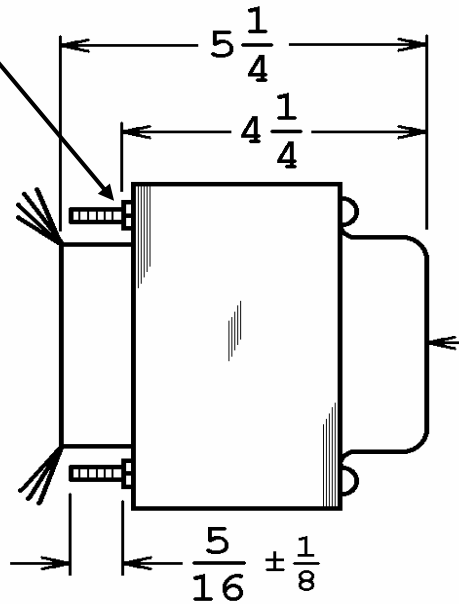
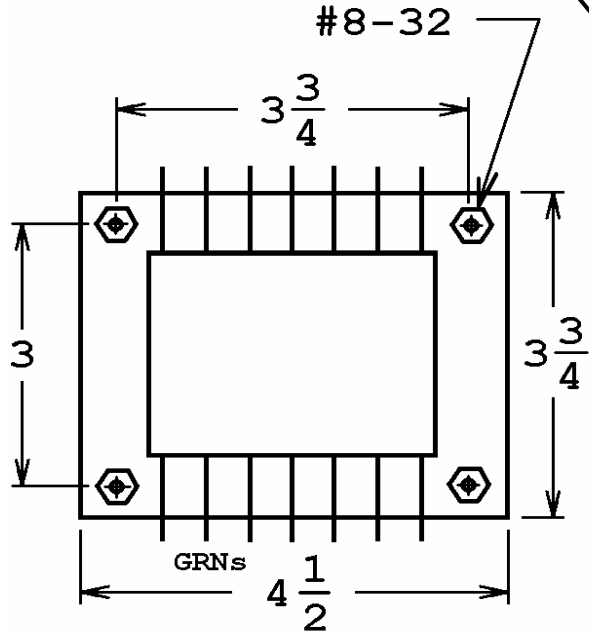


40-18068

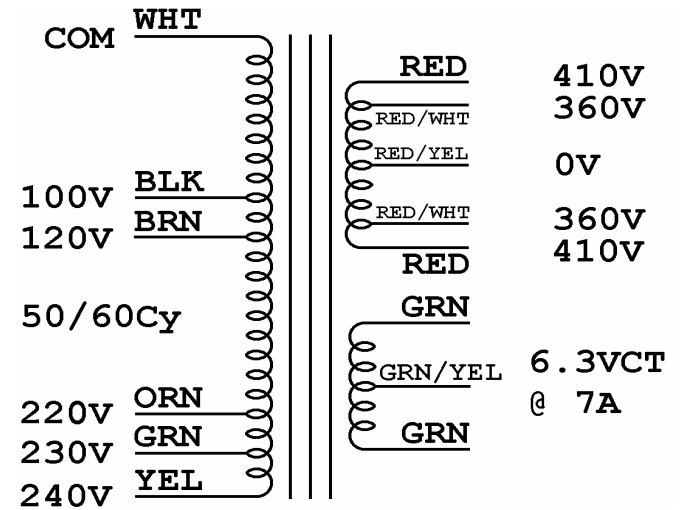
This drawing is the property of Magnetic Components, Inc. and shall not be reproduced, in whole or in part, without the written permission of Magnetic Components, Inc.

REVISIONS			
LTR	DESCRIPTION	DATE	APPROVED
A	5/16 WAS 1/2 FOR STUD LENGTH	08/26/11	M. Sacketti
B	ADD #8-32	09/13/11	M. Sacketti
C	ADD MOUNTING HARDWARE NOTE	10/28/11	M. Sacketti

USE FOUR # 8-32 HEX NUTS (NOT SUPPLIED) FOR CHASSIS MOUNTING. PLEASE DO NOT REMOVE EXISTING HEX NUTS.



Classic Tone™
By Magnetic Components, Inc.
40-18068
166-DATE
MADE IN U.S.A.



USE RED/WHT-RED/YEL-RED/WHT FOR ~ 490V B+
USE RED-RED/YEL-RED FOR ~ 560V B+

UNLESS OTHERWISE SPECIFIED		SIGNATURES		DATE		MAGNETIC COMPONENTS, INC.		DIV :		
ALL DIMENSIONS IN INCHES DO NOT SCALE DRAWING		DRAWN : <i>M.S.</i>		17 JUN 2011		TITLE JTM45/100 100W POWER		LOC : SCHILLER PK		
		CHECK :								
FRACTIONS +/-		APPR : <i>M.Sacketti</i>		17 JUN 2011		CAGE	50508	SIZE	PART No.	REV
.X = +/-								A	40-18068	C
.XX = +/-										
.XXX = +/-						SCALE		NONE		SHEET :
ANGLES = +/-										