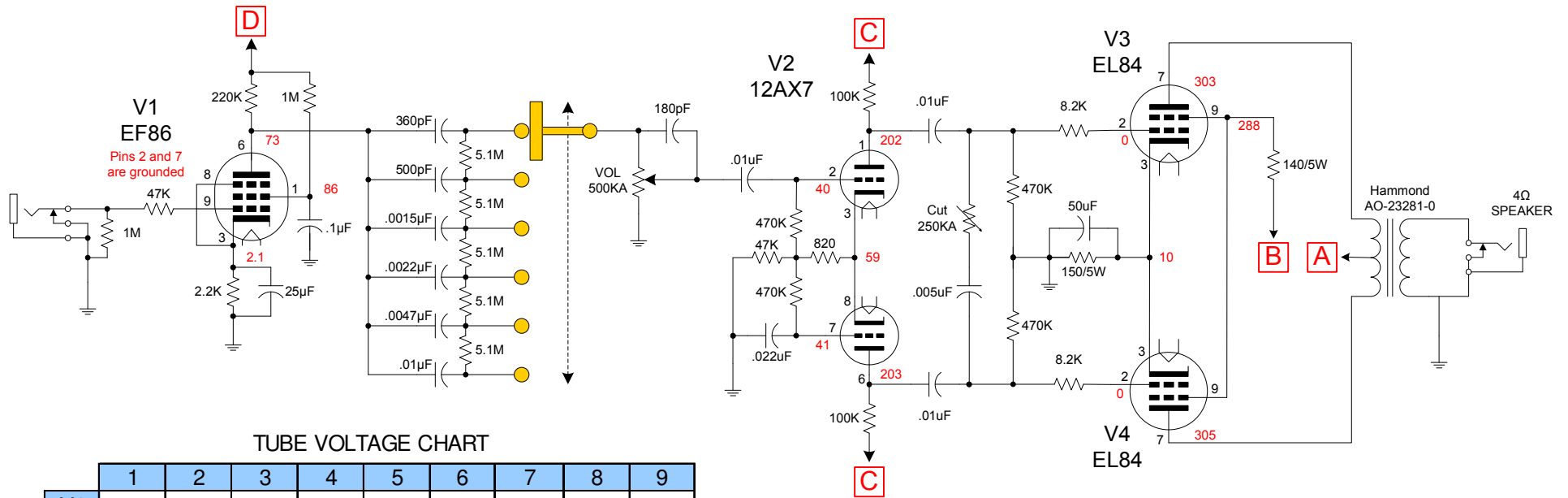


Hammond AO-39 conversion to modified Vox AC-15 Lite

Drawn By Steve Luckey 09/25/2012



TUBE VOLTAGE CHART

| | 1 | 2 | 3 | 4 | 5 | 6 | 7 | 8 | 9 |
|----|-----|----|-----|-----|-----|-----|-----|-----|-----|
| V1 | 86 | 0 | 2.1 | htr | htr | 73 | 0 | 2.1 | 0 |
| V2 | 202 | 40 | 59 | htr | htr | 203 | 41 | 59 | htr |
| V3 | nu | 0 | 10 | htr | htr | nu | 303 | nu | 288 |
| V4 | nu | 0 | 10 | htr | htr | nu | 305 | nu | 288 |

Voltages measured with Fluke 87V DMM. All controls max CCW. Line = 120VAC.

