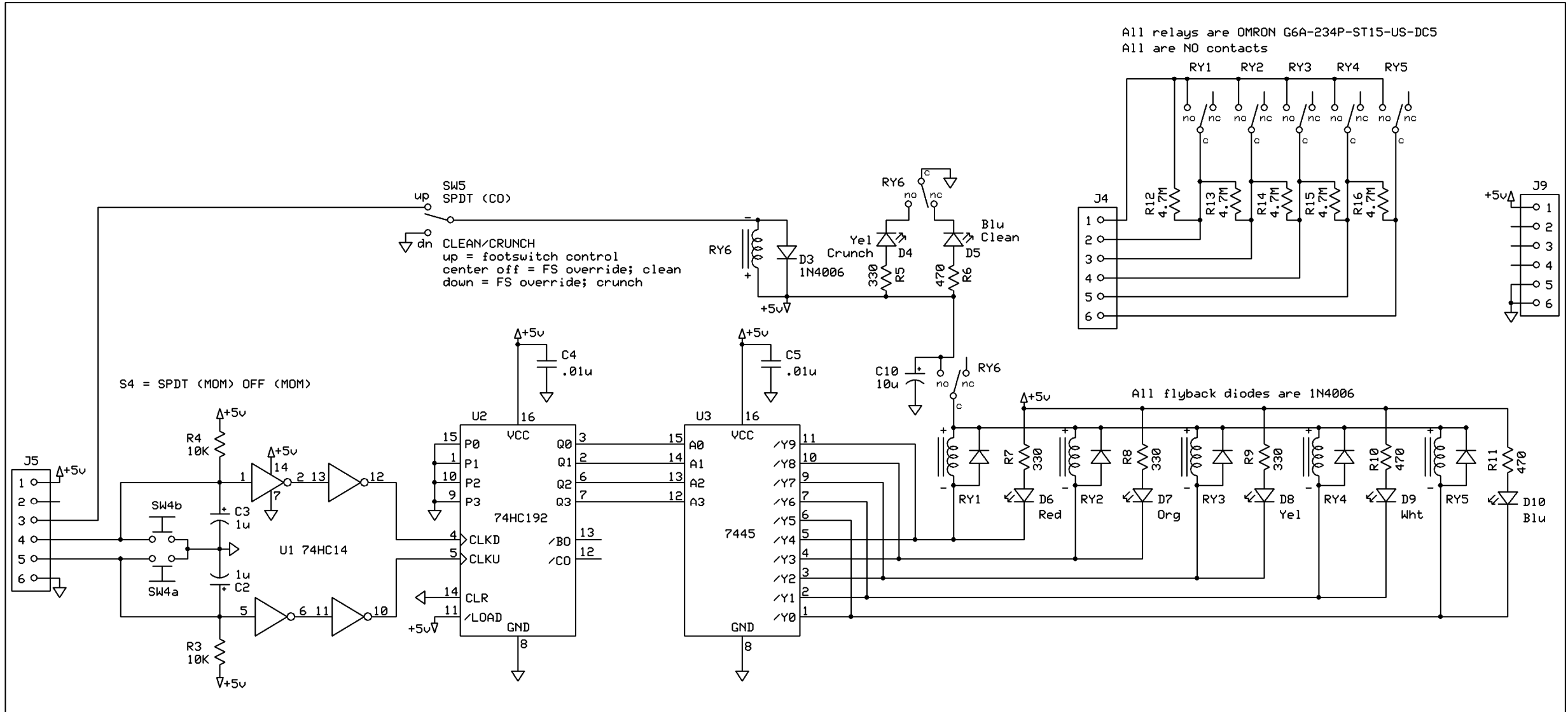
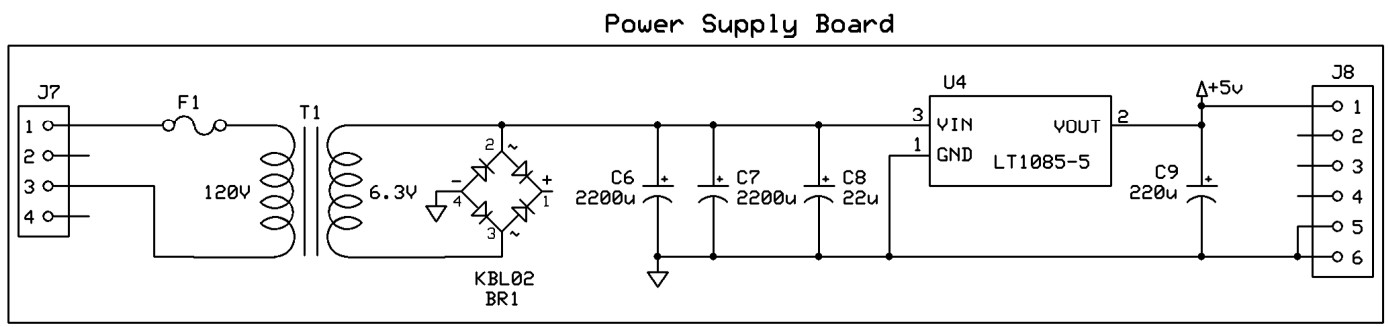


Footswitch Chassis

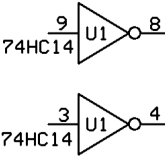


Control Board

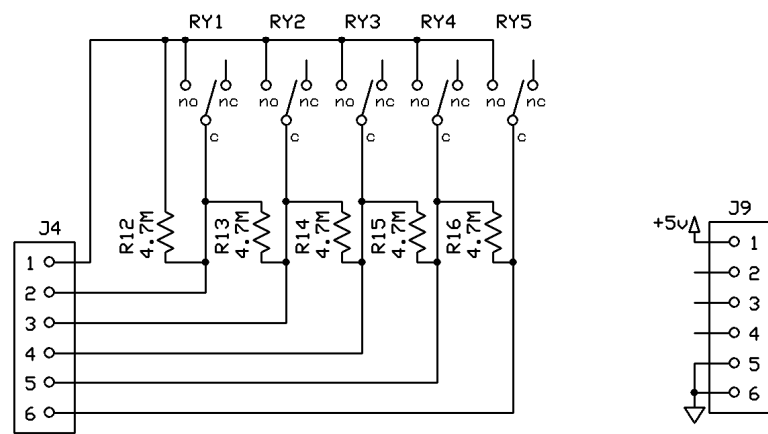


Power Supply Board

Spare Gates



All relays are OMRON G6A-234P-ST15-US-DC5
All are NO contacts



S.T.A.C. www.sotxampco.com

All Pentode 5* Relay Board