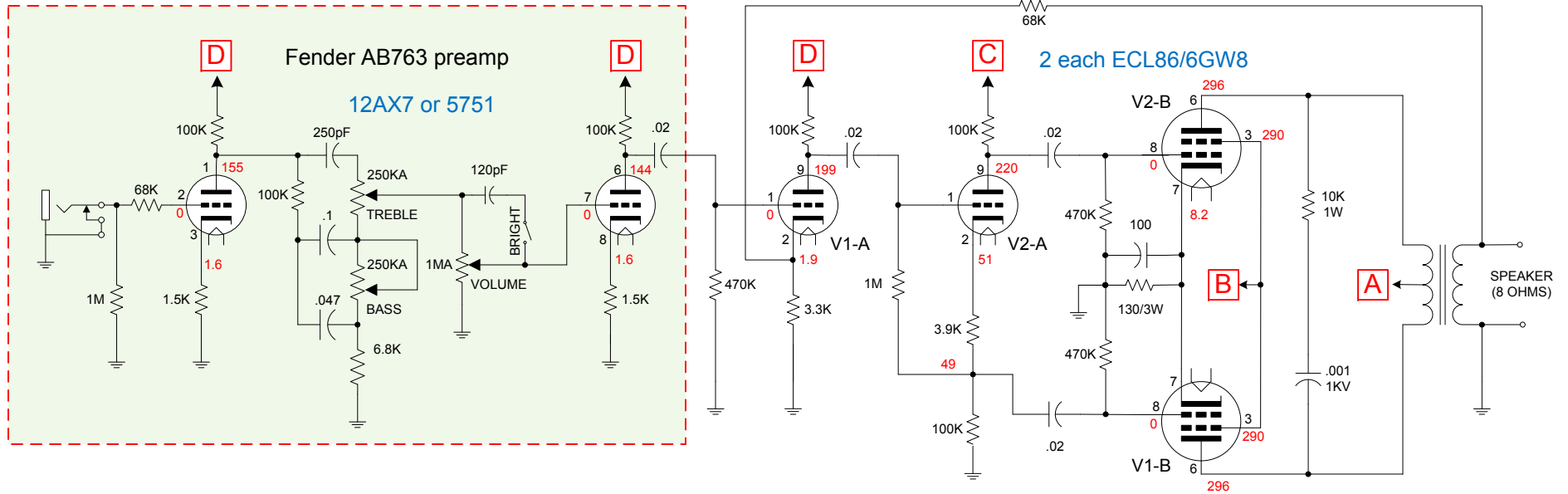


Pee Wee HAMMOND (AO-44 conversion)  
by Steve Luckey on August 27, 2013



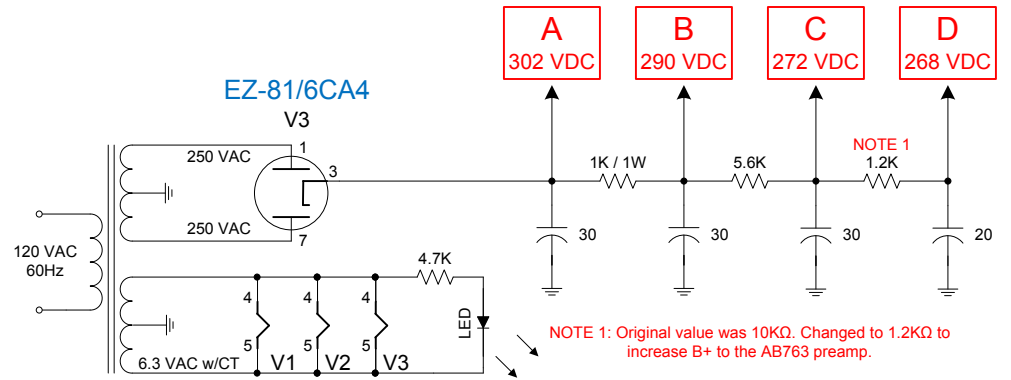
# Pee Wee HAMMOND (AO-44 conversion)

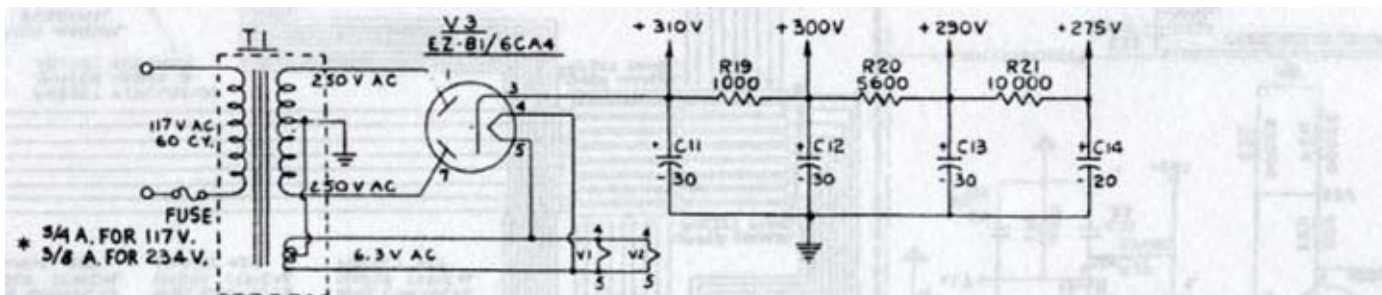
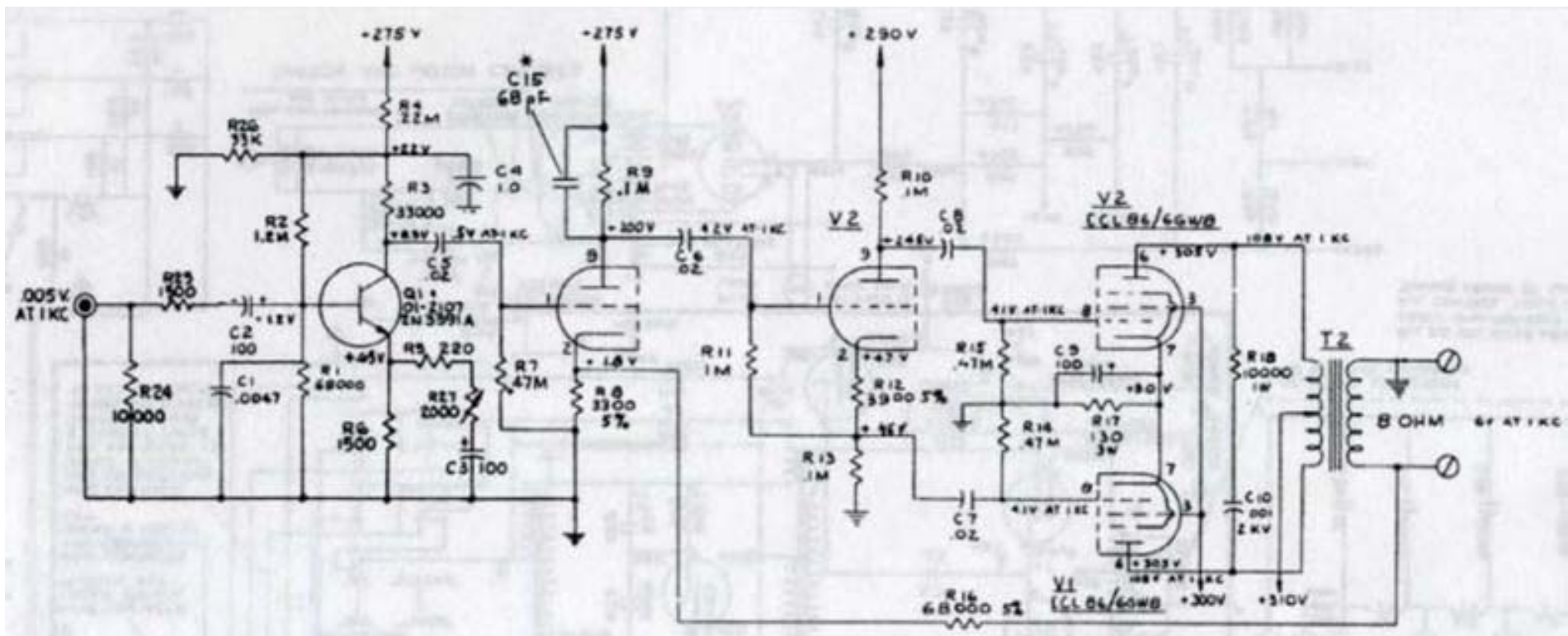
Schematic by Steve Luckey on August 27, 2013



## Conversion notes

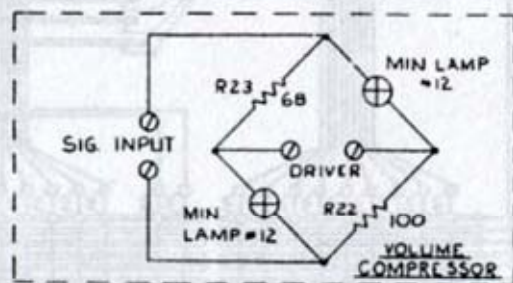
- Removed transistor circuitry and Volume Compressor.
- Power amp and power supply are completely stock AO-44 except for note 1.
- Added Fender AB763 Normal Channel preamp.
- Voltages measured with Fluke 87V. Line voltage set to 120VAC.





**NOTE!**  
 Not all AO-44s are the same.  
 This later schematic matches  
 the actual amp used in this  
 conversion.

\*These components will  
 only be found in AO-44  
 amplifiers marked  
 with Code "E".



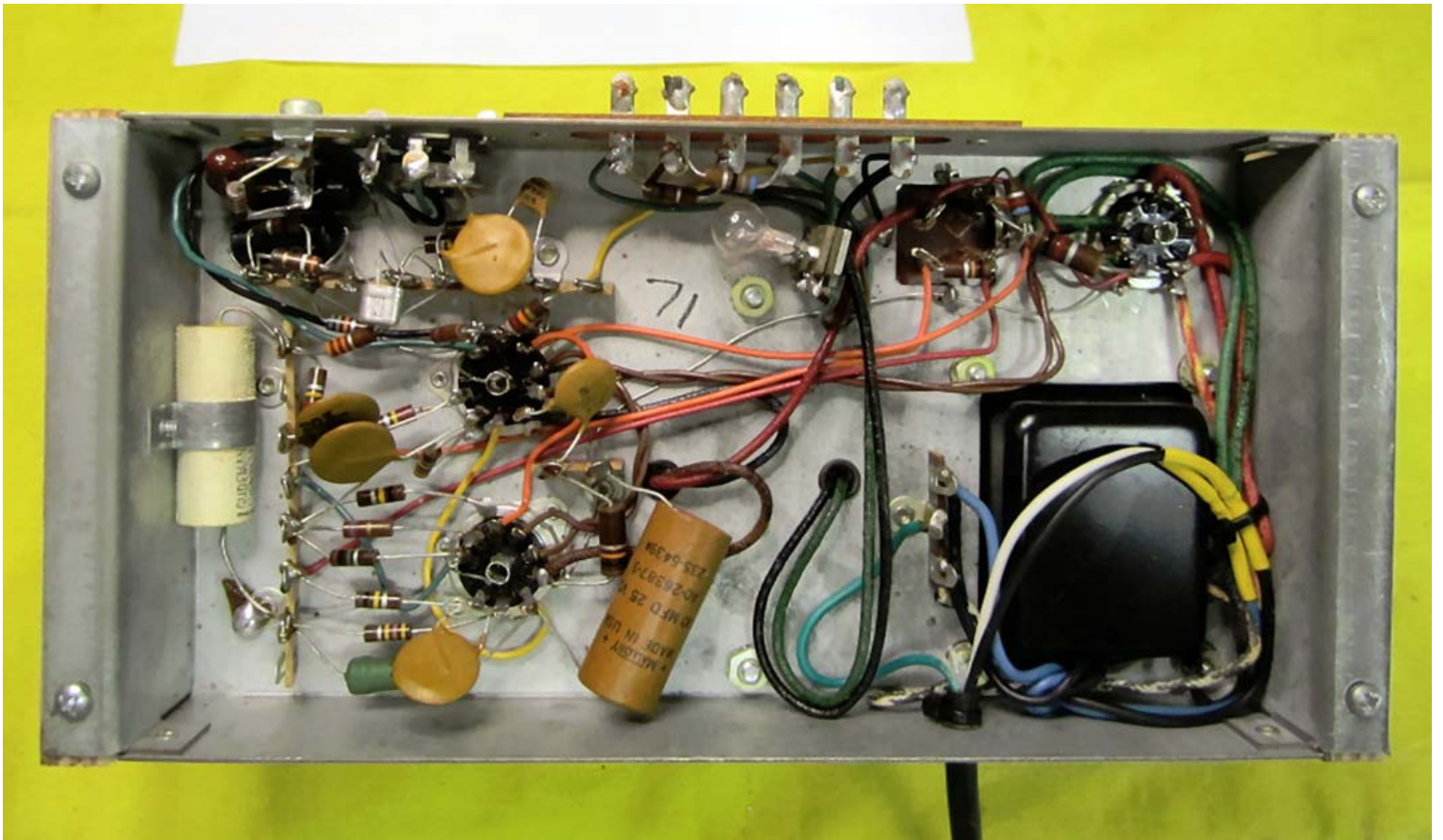


Figure 1. Original Hammond AO-44-C chassis

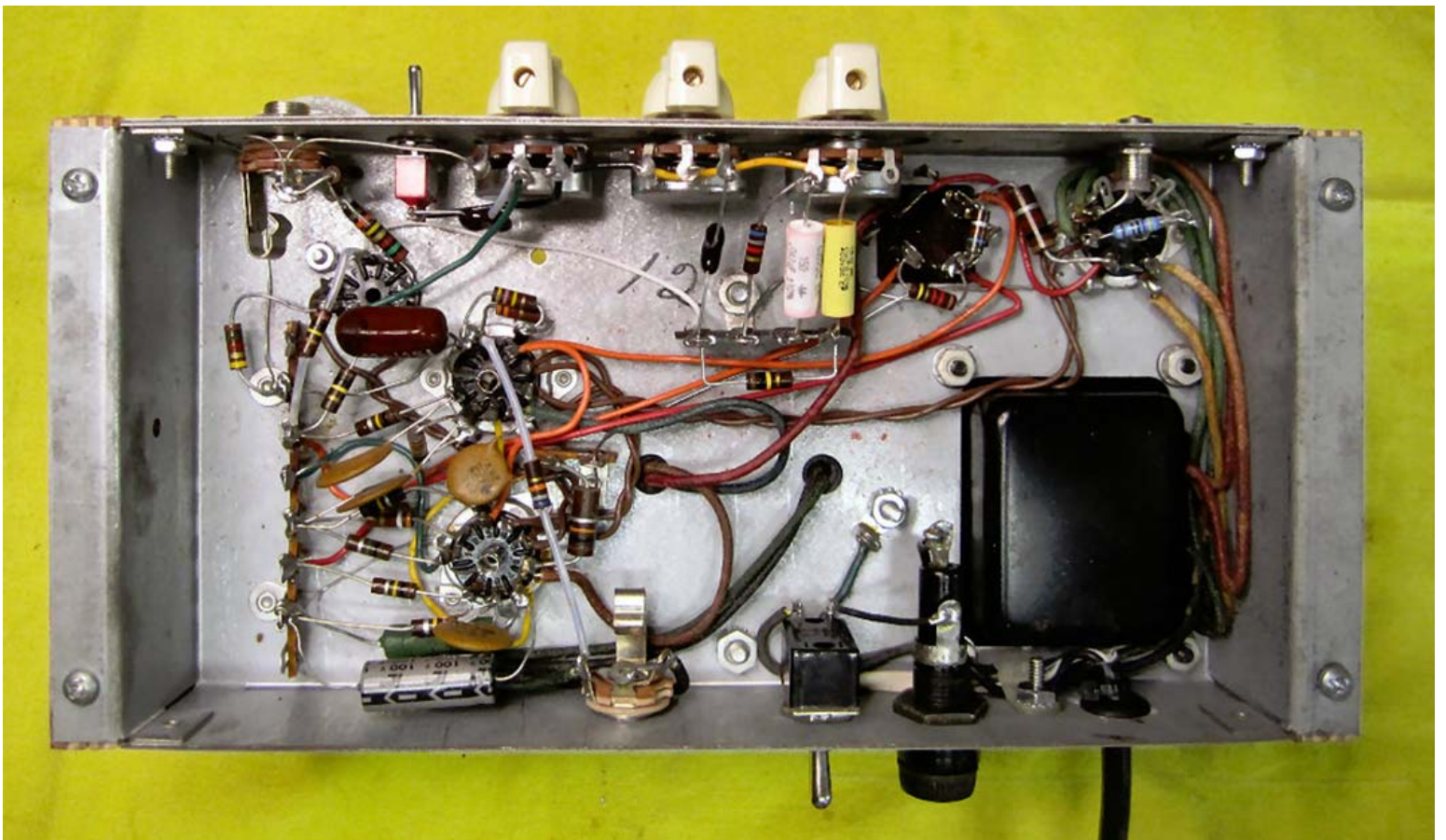


Figure 2. Pee Wee Hammond conversion