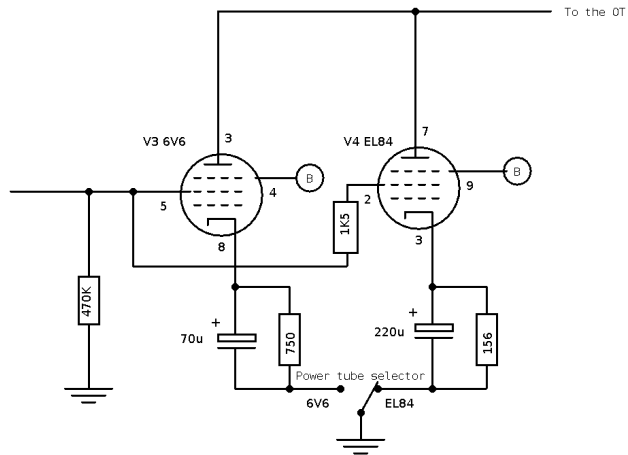
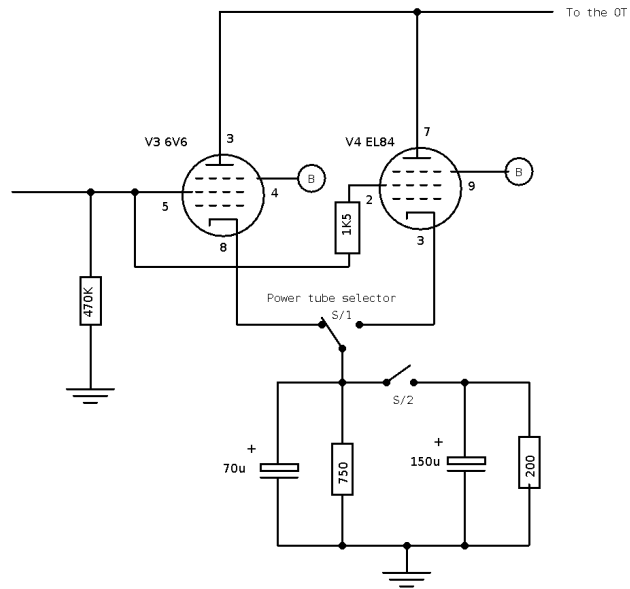


Alternative 1



Alternative 2



Company Name		
Schematic Name		
rik	Rev 1.0 2013-10-21	Page #