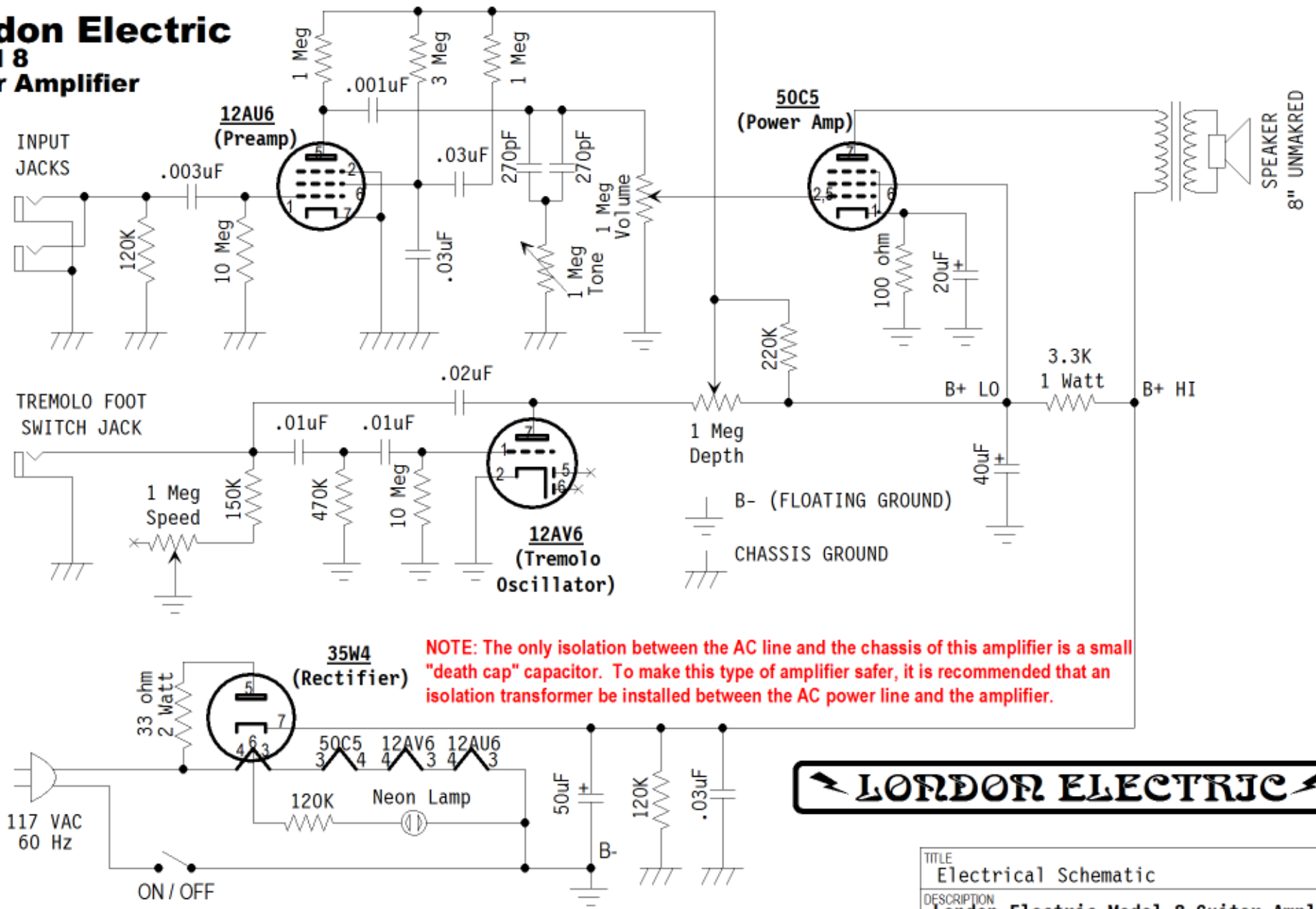
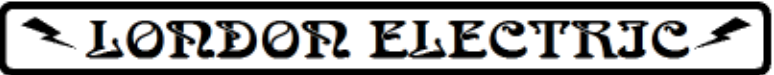


THIS DIAGRAM PROVIDED FOR INFORMATIONAL / EDUCATIONAL USE ONLY. ANY USE IS AT YOUR OWN RISK. ALL PERSON(S) RESPONSIBLE FOR THE CREATION AND / OR DISTRIBUTION OF THIS DIAGRAM DISCLAIM ANY AND ALL LIABILITY FOR CONSEQUENCES OF YOUR USE OF THIS INFORMATION. VACUUM TUBE CIRCUITS CAN CONTAIN DANGEROUS HIGH VOLTAGES THAT CAN BE HARMFUL OR EVEN LETHAL IF APPROPRIATE SAFETY MEASURES ARE NOT TAKEN.

London Electric Model 8 Guitar Amplifier



NOTE: The only isolation between the AC line and the chassis of this amplifier is a small "death cap" capacitor. To make this type of amplifier safer, it is recommended that an isolation transformer be installed between the AC power line and the amplifier.



All resistors are 1/2 watt unless otherwise marked.
All capacitors are 150 volts unless otherwise marked.

TITLE Electrical Schematic		
DESCRIPTION London Electric Model 8 Guitar Amplifier (Circa 1966)		
DRAWN BY Rick Campbell	REVISION n/a	DATE 03 August 2005