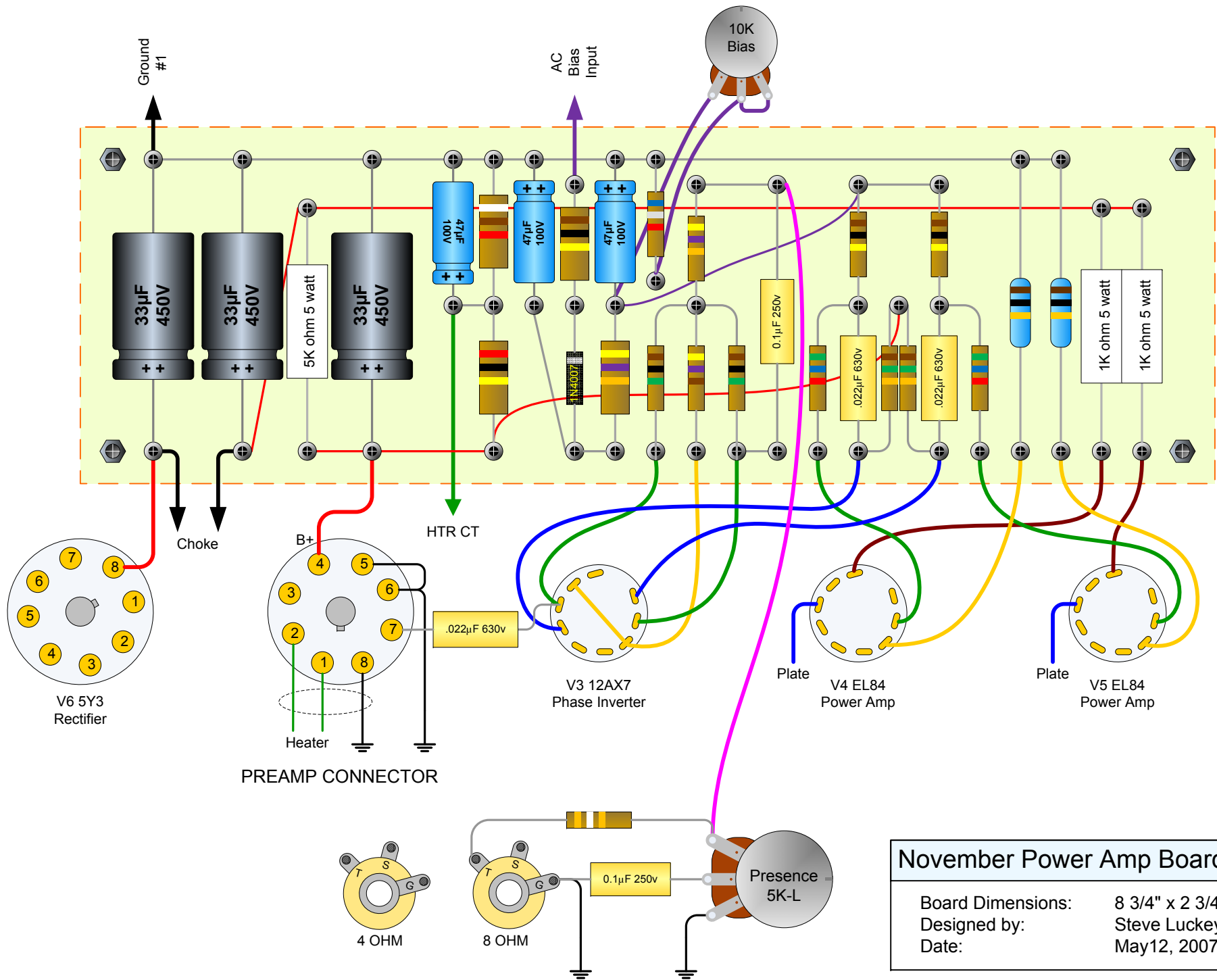


### November Preamp Board Layout

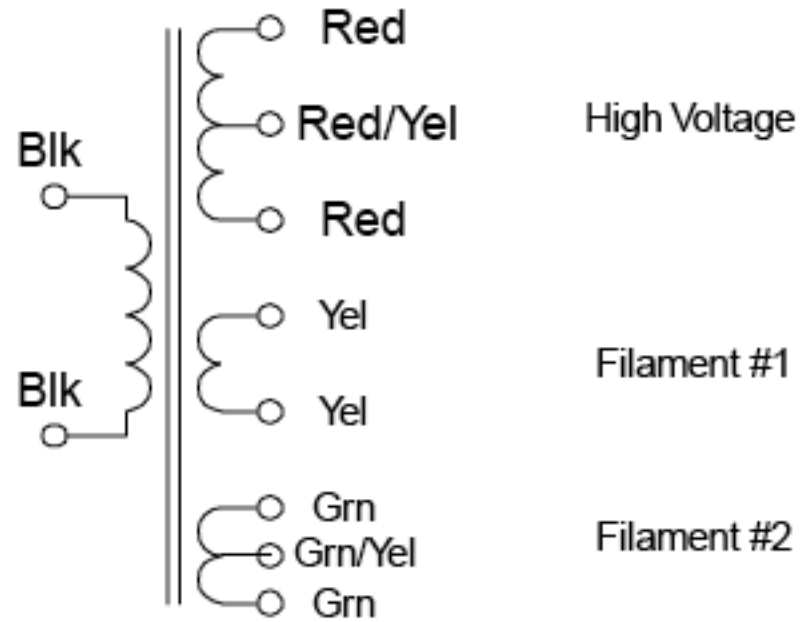
Board Dimensions: 5 13/16" x 2 3/4"  
 Designed by: Steve Luckey  
 Date: May 12, 2007



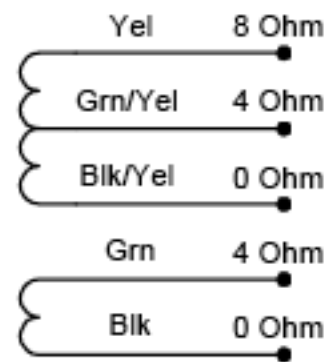
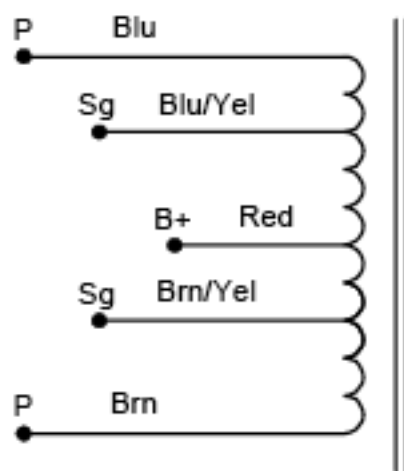
**November Power Amp Board**

Board Dimensions: 8 3/4" x 2 3/4"  
 Designed by: Steve Luckey  
 Date: May12, 2007

Cat. No.	VA	Primary		Secondary		Filament #1 (VAC)	Filament #2 (VAC)	Dim. Ref.
		VAC	Hz	(R.M.S.)	DC (ma.)			
<b>270FX</b>	138	115	60	275-0-275	150	5V @ 3A	6.3V @ 5A ct	X10



Cat. No.	Audio Watts	Primary Impedance	Secondary Impedance	Wt. Lbs.
<b>1650F</b>	25	7,600 ct	4-8-16	4



### Secondary Connections

