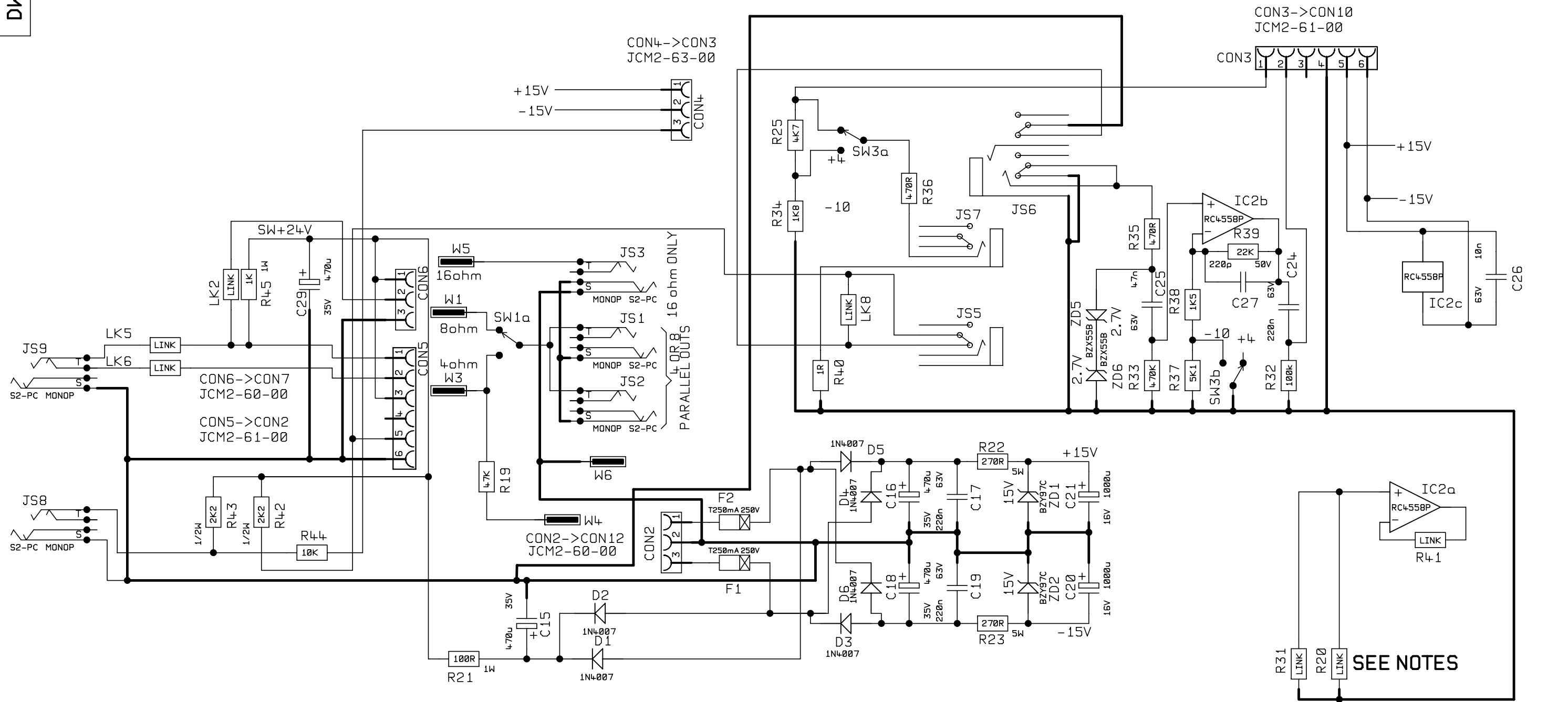


DWG.No. JCM2-62-02.DGM

**NOTES**

JS5 NOT FITTED  
 WIRE LINKS TO BE FITTED:- LK2, LK5, LK6, LK8  
 WIRE LINKS TO BE OMMITTED:- LK1, LK3, LK4, LK7  
 R20 NOT FITTED



**GENERIC PCB JCM2-62-00.ART**  
 SEE JCM2-69-00.DGM FOR DESIGN SCHEMATIC  
 ALL OTHER DESIGNATIONS (EXCEPT REQUIRED LINKS) SHOULD BE UNFILLED

3	1999	29/05/01	ALL OTHER HOLES =				X = (THROUGH PLATED)			
2	1466	1/8/97	A	E	J	N				
1	PRODUCTION	20/6/97	B	F	K	P				
ISS	ECO NUMBER	DATE	C	G	L	Q				
			D	H	M	R				

MATERIAL		DIMENSIONS IN	
MATERIAL THICKNESS		TOLERANCE (UNLESS OTHERWISE STATED)	
DRAWN SG	DATE 25-2-97		
CHECKED	DATE		
APPROVED	DATE	MODEL DSL100/DSL50	



TITLE	JCM2000
	REAR OUTPUT PCB SCHEMATIC
DWG.No	JCM2-62-02.DGM
ISS	3