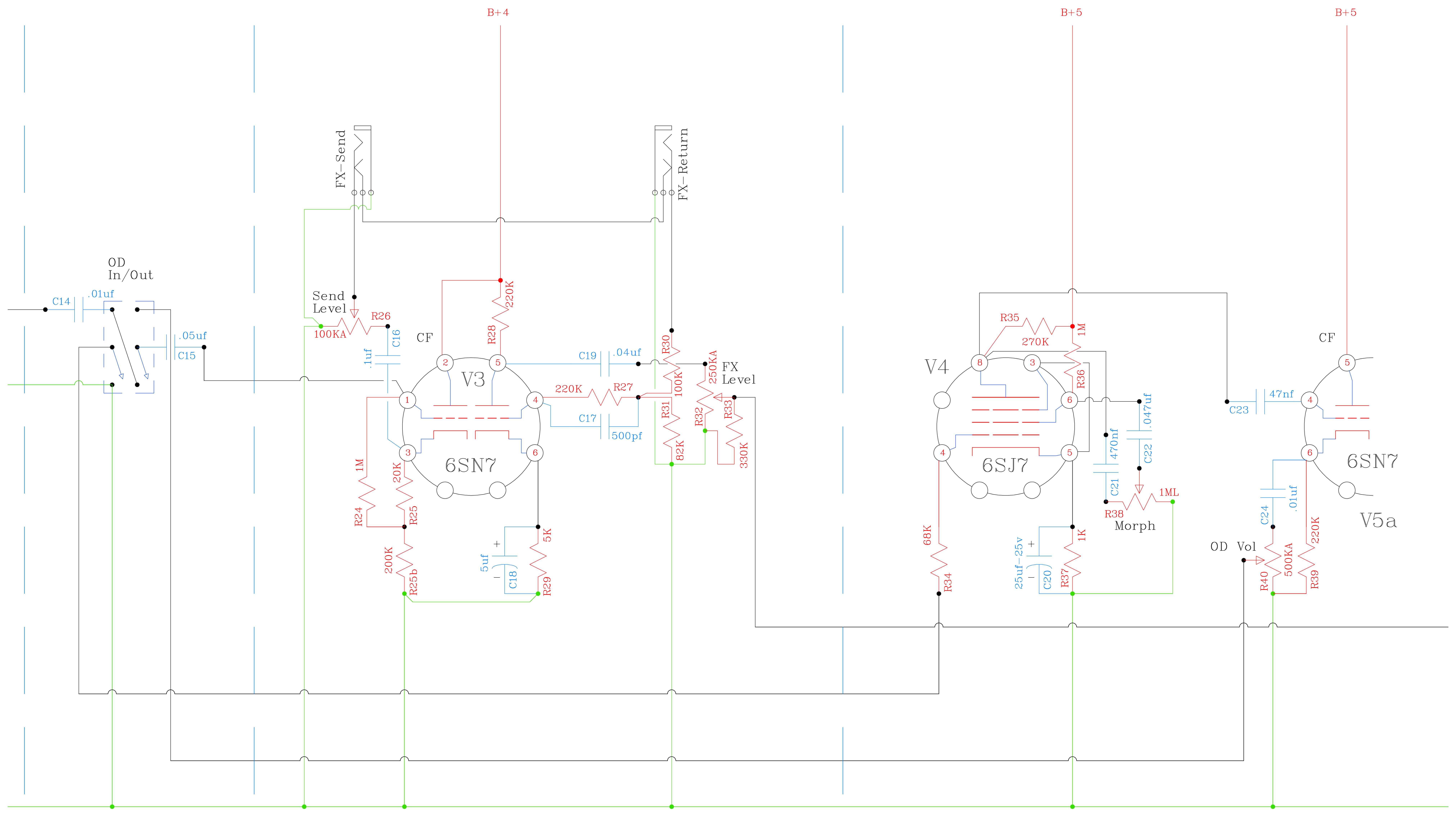


Pre-Amp

Tone Stack/
Volume

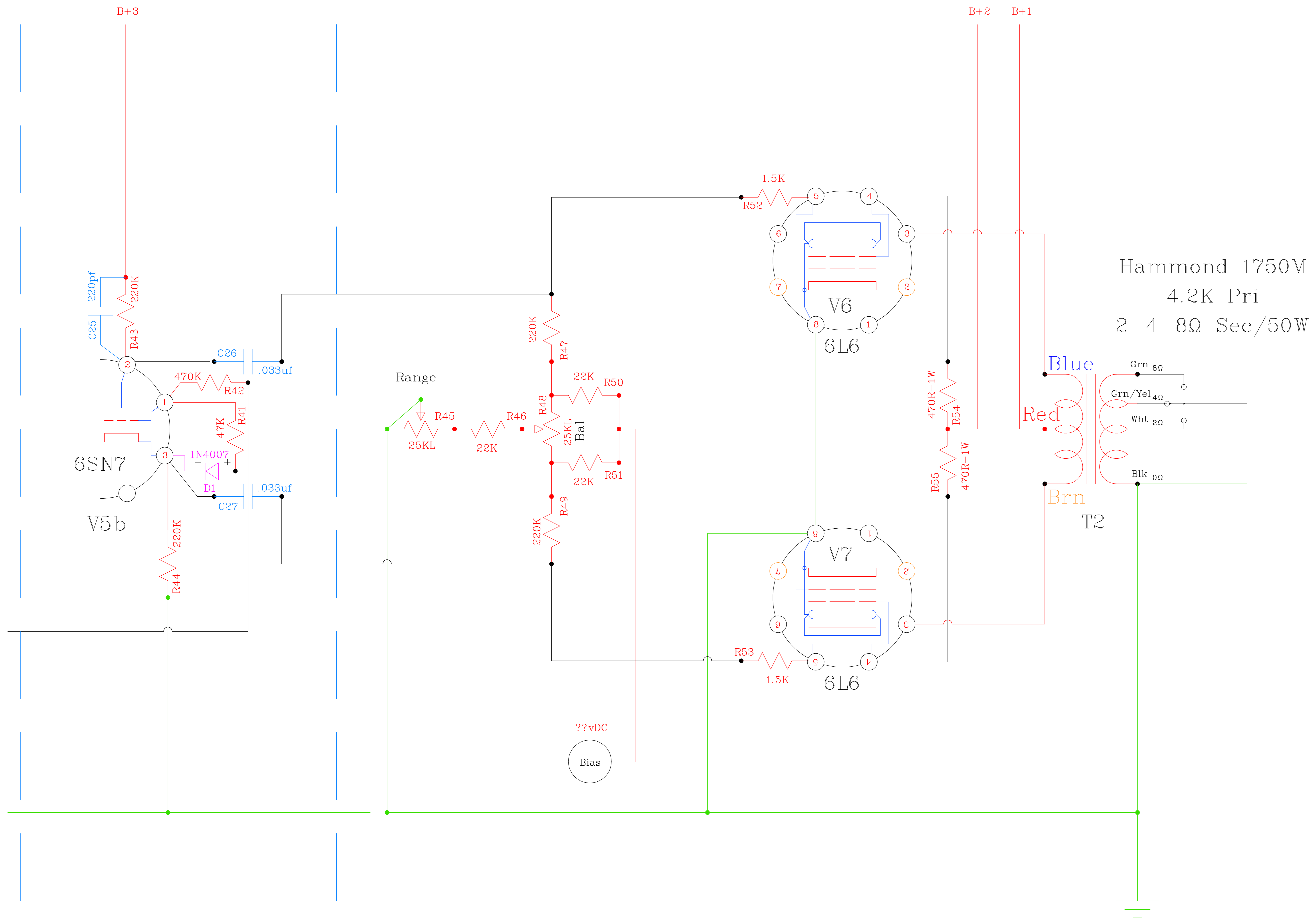
Overdrive
Selector



Overdrive
Selector

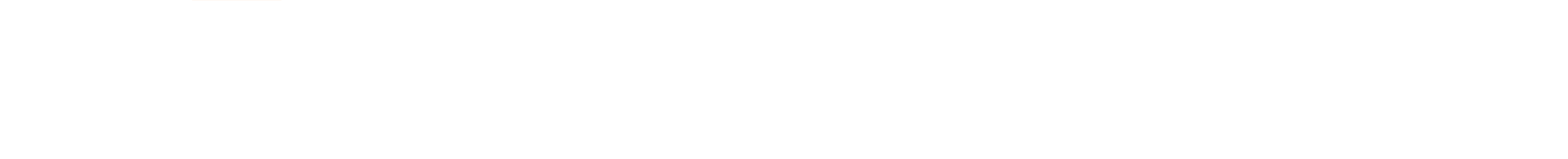
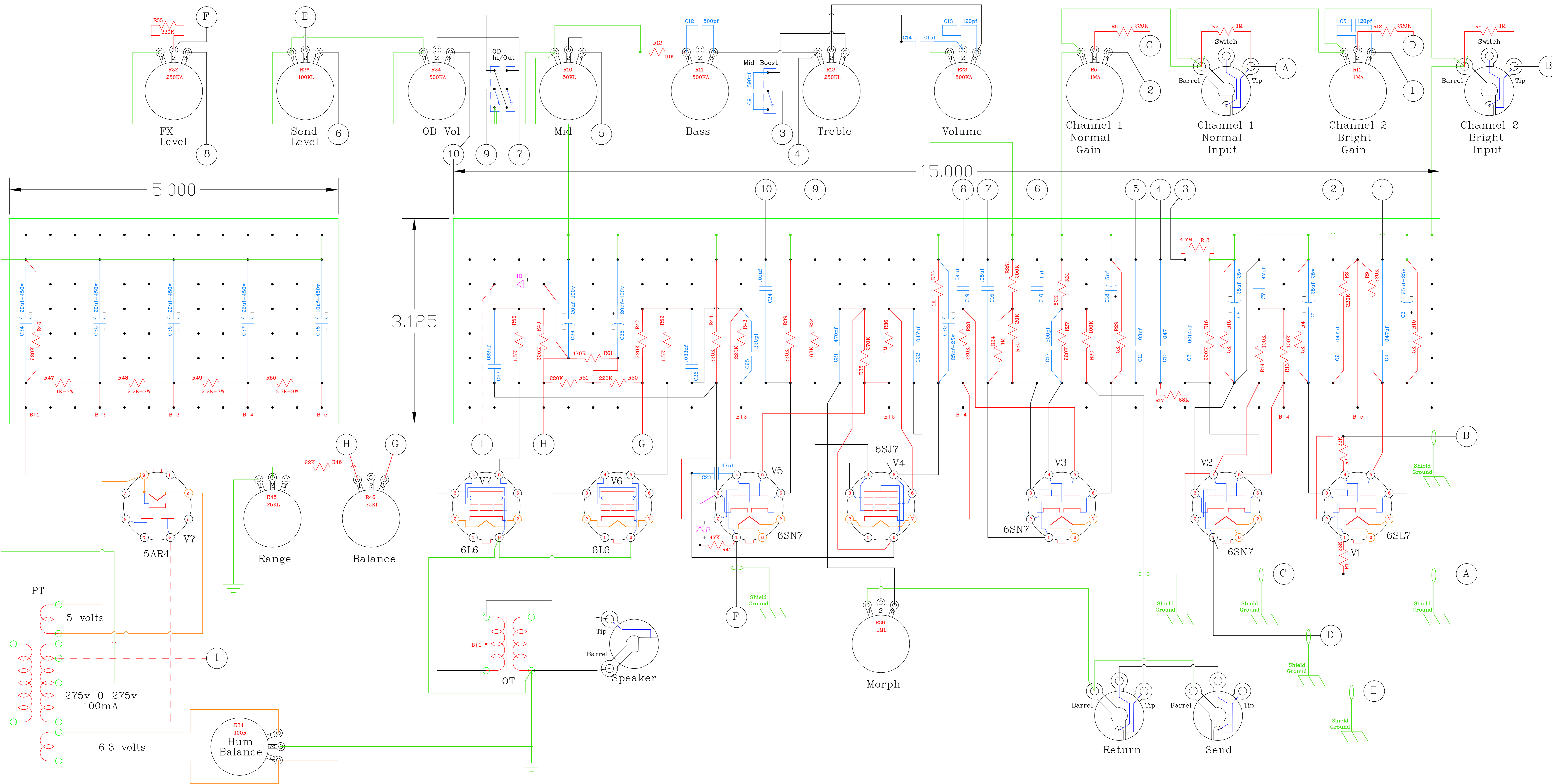
Active
FX Loop

Overdrive



Cathodyne
Phase Inverter

Power Amp



<u>Component</u>	<u>Value</u>		<u>Component</u>	<u>Value</u>
R1	33K		C1	25uf-25v Elec
R2	1M		C2	.047uf-400v
R3	220K		C3	25uf-25v Elec
R4	5K		C4	.047uf-400v
R5	1M-A Pot		C5	120pf-400v
R6	220K		C6	25uf-25v Elec
R7	33K		C7	47nf-400v
R8	1M		C8	.0047uf-400v
R9	220K		C9	390pf-400v
R10	5K		C10	.047uf-400v
R11	1M-A Pot		C11	.03uf-400v
R12	220K		C12	500pf-400v
R13	100K		C13	120pf-400v
R14	100K		C14	.01uf-400v
R15	5K		C15	.05uf-400v
R16	220K		C16	.1uf-400v
R17	68K		C17	500pf-400v
R18	4.7M		C18	5uf-400v
R19	50K-L Pot		C19	.04uf-400v
R20	500K-A Pot		C20	25uf-25v Elec
R21	10K		C21	470nf-400v
R22	250K-L Pot		C22	.047uf-400v
R23	500K-A Pot		C23	47nf-400v
R24	1M		C24	.01uf-400v
R25	20K		C25	220pf-400v
R25b	200K		C26	.033uf-400v
R26	100K-A Pot		C27	.033uf-400v
R27	220K		C28	80uf-450v
R28	220K		C29	80uf-450v
R29	5K		C30	20uf-450v
R30	100K		C31	20uf-450v
R31	82K		C32	20uf-450v
R32	250K-A Pot		C33	16uf-450v
R33	330K		C34	20uf-100v
R34	68K		C35	20uf-100v
R35	270K			
R36	1M		D1	1N4007
R37	1K		D2	1N4007
R38	1M-L Pot		D3	1N4007
R39	220K		D4	1N4007
R40	500K-A Pot			
R41	47K			
R42	470K			
R43	220K			
R44	220K			
R45	25K-L Pot			
R46	22K			
R47	220K			
R48	25K-L Pot			
R49	220K			
R50	22K			
R51	22K			
R52	1.5K			
R53	1.5K			
R54	470R-1W			
R55	470R-1W			
R56	220K			
R57	220K			
R58	10K			
R59	10K			
R60	10K			
R61	470R			

