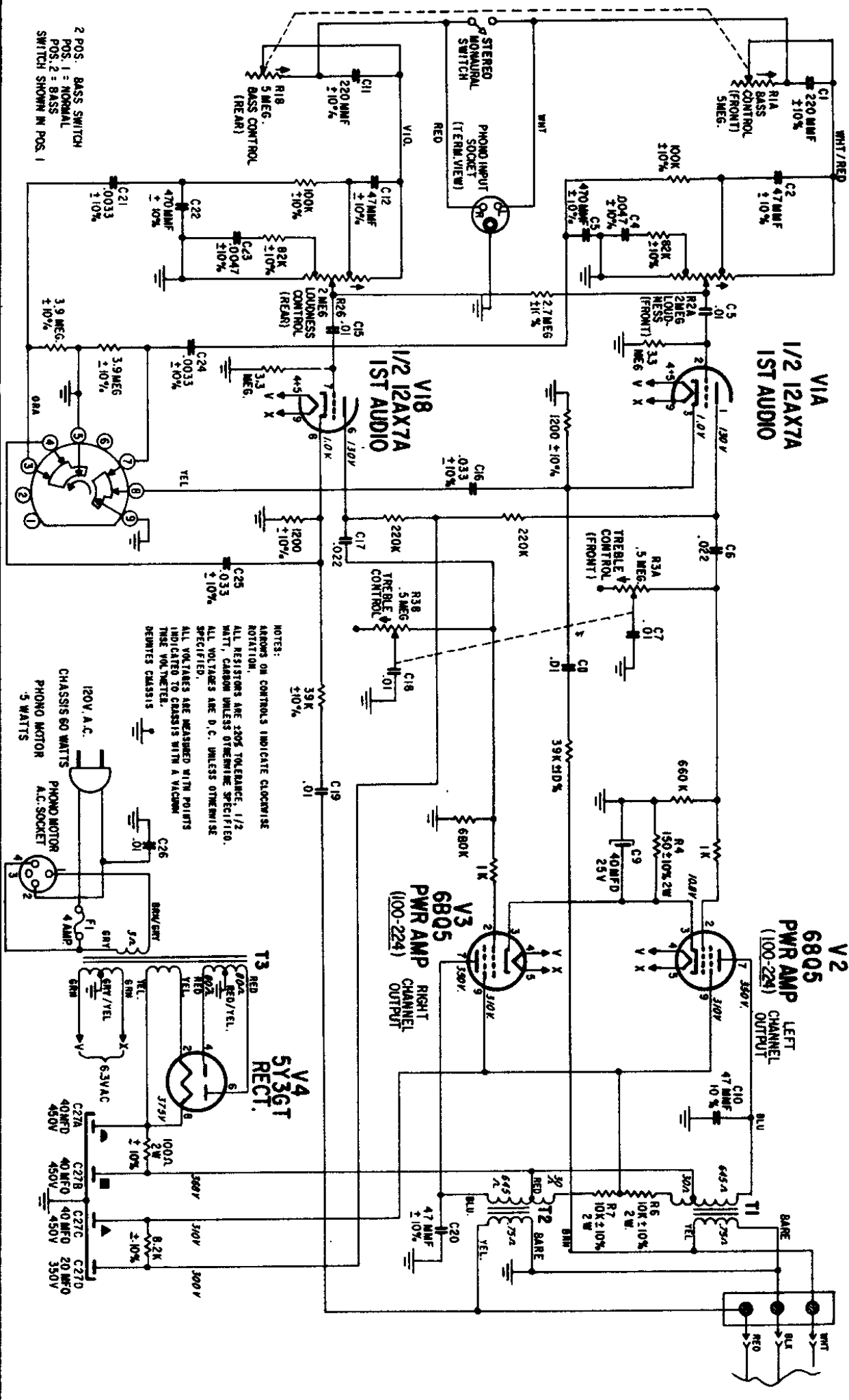


# VOLUME R-24, MOST-OFTEN-NEEDED 1964 RADIO SERVICING INFORMATION

## ZENITH 4L21 SCHEMATIC FOR MODELS ST1971, MT1971, ST1981, MT1981, ML2786 AND 7200. SPEAKER TERMINAL STRIP



2 POS. BASS SWITCH  
POS. 1 = NORMAL  
POS. 2 = BASS  
SWITCH SHOWN IN POS. 1

NOTES:  
ARROWS ON CONTROLS INDICATE COUNTERCLOCKWISE ROTATION.  
ALL RESISTORS ARE 100% TOLERANCE, 1/2 WATT, CARBON UNLESS OTHERWISE SPECIFIED.  
ALL VOLTAGES ARE D.C. UNLESS OTHERWISE SPECIFIED.  
ALL VOLTAGES ARE MEASURED WITH POINTS INDICATED TO CHASSIS WITH A VACUUM TUBE VOLTMETER.  
REWRITES CHASSIS

120V A.C.  
CHASSIS 60 WATTS  
PHONO MOTOR  
A.C. SOCKET  
5 WATTS

T3 RED  
RED/RED  
RED/YEL.  
YEL.  
YEL.  
63VAC  
C27A 40MFD 450V  
C27B 40MFD 450V  
C27C 40MFD 450V  
C27D 20MFD 350V

AUDIO OUTPUT  
SPEAKER TERMINAL STRIP