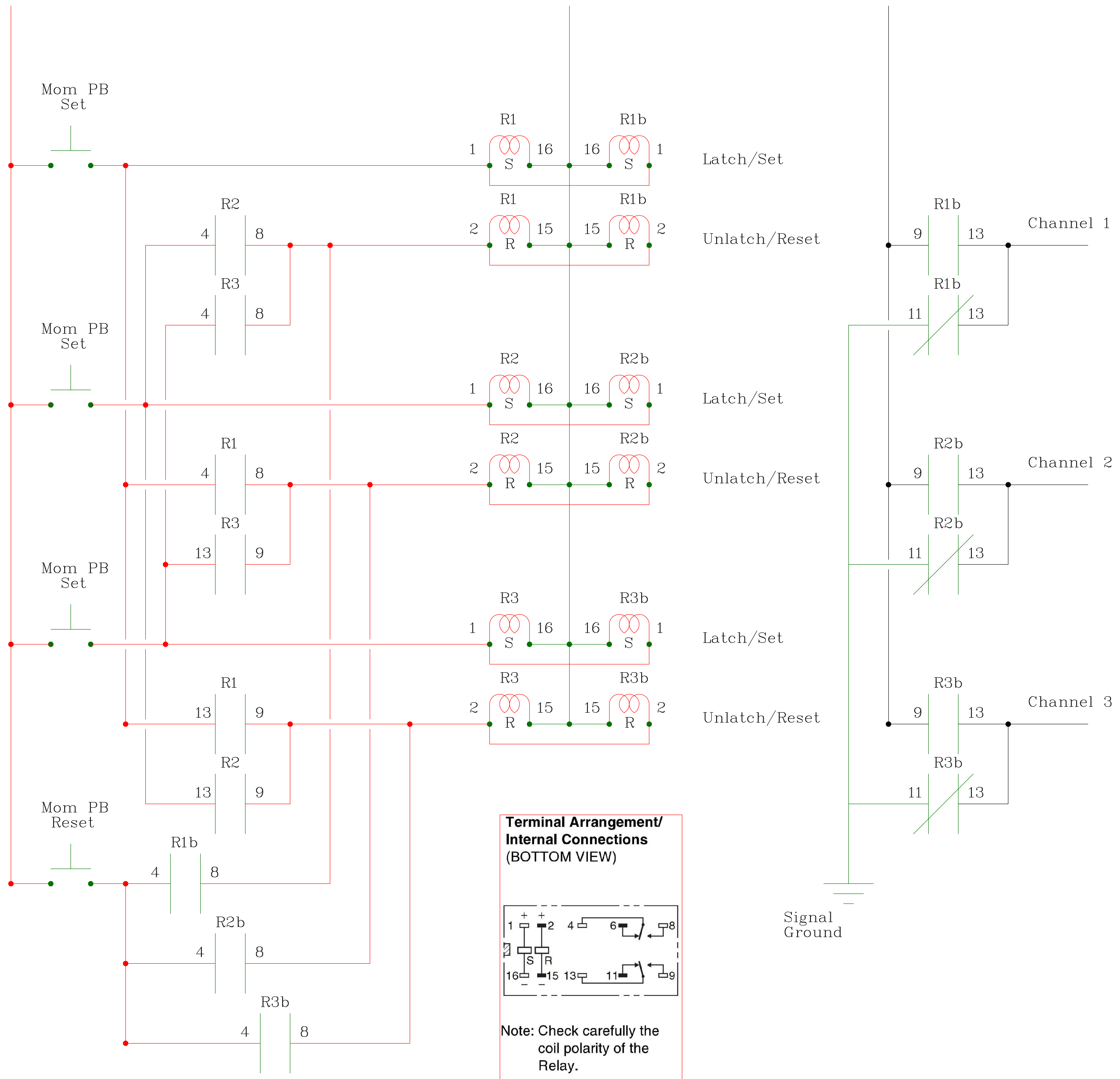
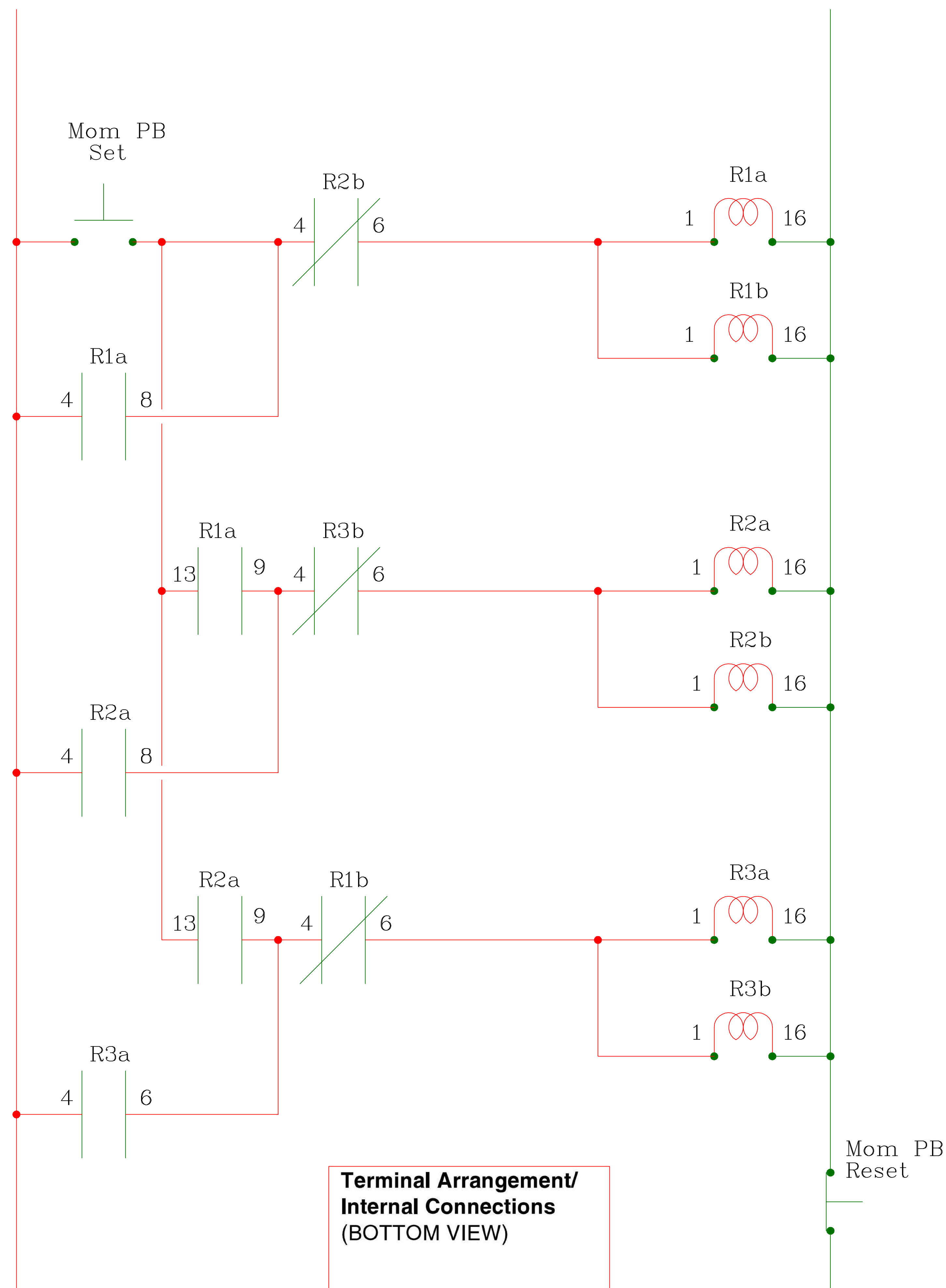


# Mechanically-Latched



# Self-Maintained



**Terminal Arrangement/  
Internal Connections  
(BOTTOM VIEW)**

Note: Check carefully the coil polarity of the Relay.

