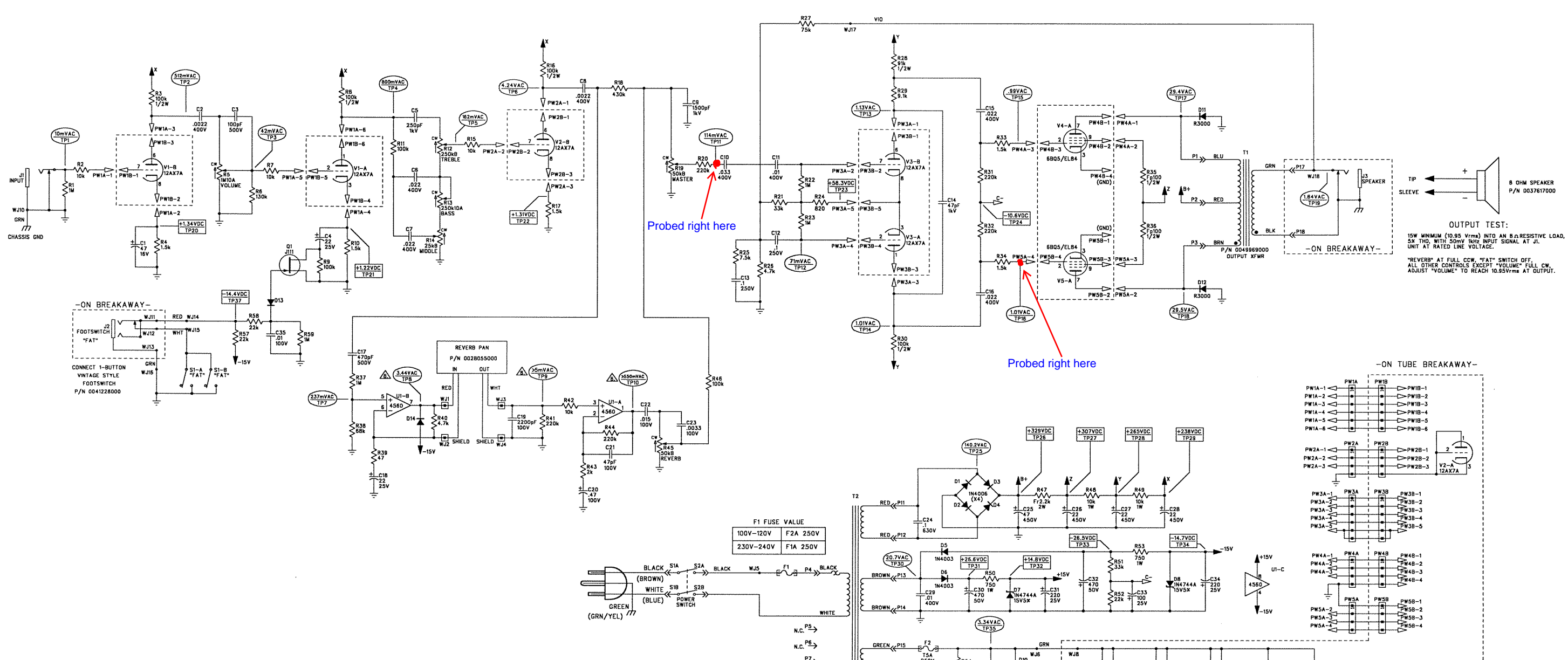
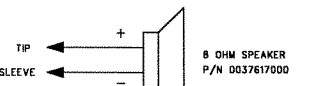


REVISIONS			
REV.	DESCRIPTION	DATE	APPROVED
A	EC 2630	21-MAR-01	dBL
B	EC 2767	09-APR-02	dBL
C	EC 2871	06-JAN-03	dBL



Probed right here

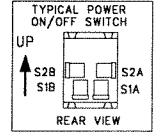
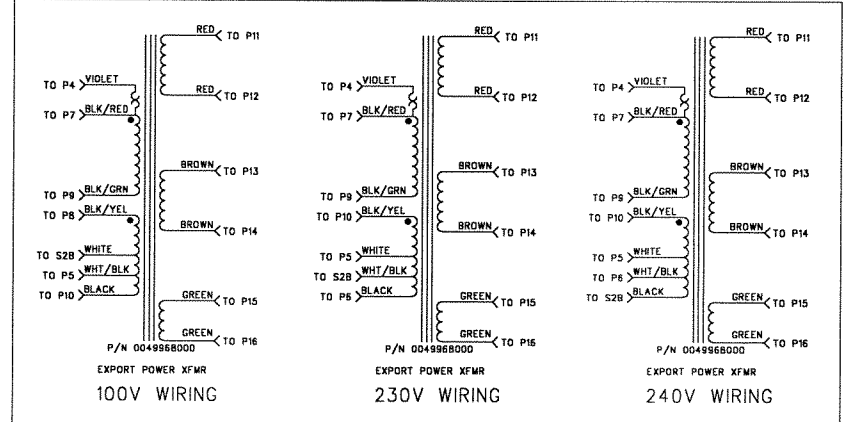
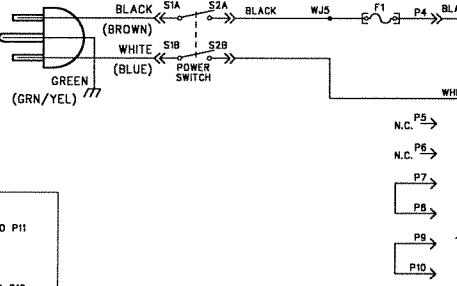
Probed right here



OUTPUT TEST:
 15W MINIMUM (10.95 Vrms) INTO AN 8Ω RESISTIVE LOAD, 5X THD WITH 50mV 1kHz INPUT SIGNAL AT J1. UNIT AT RATED LINE VOLTAGE.
 REVERB AT FULL CW. *FAT* SWITCH OFF. ALL OTHER CONTROLS EXCEPT *VOLUME* FULL CW. ADJUST *VOLUME* TO REACH 10.95Vrms AT OUTPUT.

F1 FUSE VALUE

100V-120V	F2A 250V
230V-240V	F1A 250V



- TP8 - TP10 VARY AND ARE DEPENDENT ON SPECIFIC EXCITATION FREQUENCY AND PARTICULAR REVERB PAN FREQUENCY RESPONSE.
7. AC AND DC VOLTAGES READ WITH RESPECT TO GROUND WITH A DVM UNDER THE FOLLOWING CONDITIONS:
 UNIT AT RATED LINE VOLTAGE
 NO INPUT SIGNAL (TP20-TP27 ONLY)
 VOLTAGES MAY VARY +/- 20%
- ADDITIONAL CONDITIONS FOR TP1-TP16:
 10mVrms, 1kHz SINEWAVE INPUT SIGNAL AT J1
 8Ω RESISTIVE LOAD CONNECTED AT J3
 REVERB PAN CONNECTED
 REVERB AT FULL CW, *FAT* SWITCH OUT (OFF)
 ALL OTHER CONTROLS AT 50% ROTATION.
6. LAST REFERENCE: C35, D14, F2, J3, P18, R59, S1, T2, TP37, U1, V5, WJ6.
5. THIS SCHEMATIC IS FOR PCB FABRICATION P/N 0057276000 AND PCB ASSEMBLY P/N 0057277000.
4. ALL DIODES ARE 1N4448.
3. ALL POLARIZED CAPACITORS IN μF, 20%; 50V MINIMUM.
2. ALL UNPOLARIZED CAPACITORS IN μF, 10% OR BETTER; 50V MINIMUM. (POWER SUPPLY BYPASS CAPACITORS ARE 20%).
1. ALL RESISTORS IN OHMS, 5%, 1/4W.
- NOTES: (UNLESS OTHERWISE NOTED)

THIS DOCUMENT CONTAINS INFORMATION OF A PROPRIETARY NATURE TO FENDER MUSICAL INSTRUMENTS AND IS SUBMITTED TO YOU IN CONFIDENCE AND SHALL NOT BE DISCLOSED OR TRANSMITTED TO OTHERS WITHOUT AUTHORIZATION FROM FENDER MUSICAL INSTRUMENTS.

Fender MUSICAL INSTRUMENTS
 Corona, CA U.S.A.

CHECKED BY: *[Signature]* DATE: 20-3-03
 APPROVED BY: *[Signature]* DATE: 1/10/03
 DRAWN: D. LEWIS ENGR: D. LEWIS DATABASE FILE: 2486S.SCH

TITLE: SERVICE DIAGRAM, COMBINED (schematic) BLUES JUNIOR
 SIZE: D DRAWING NUMBER: 0057275000 REV. C
 RELEASE DATE: 21-MAR-01 SHEET: 1 OF 2