

Original

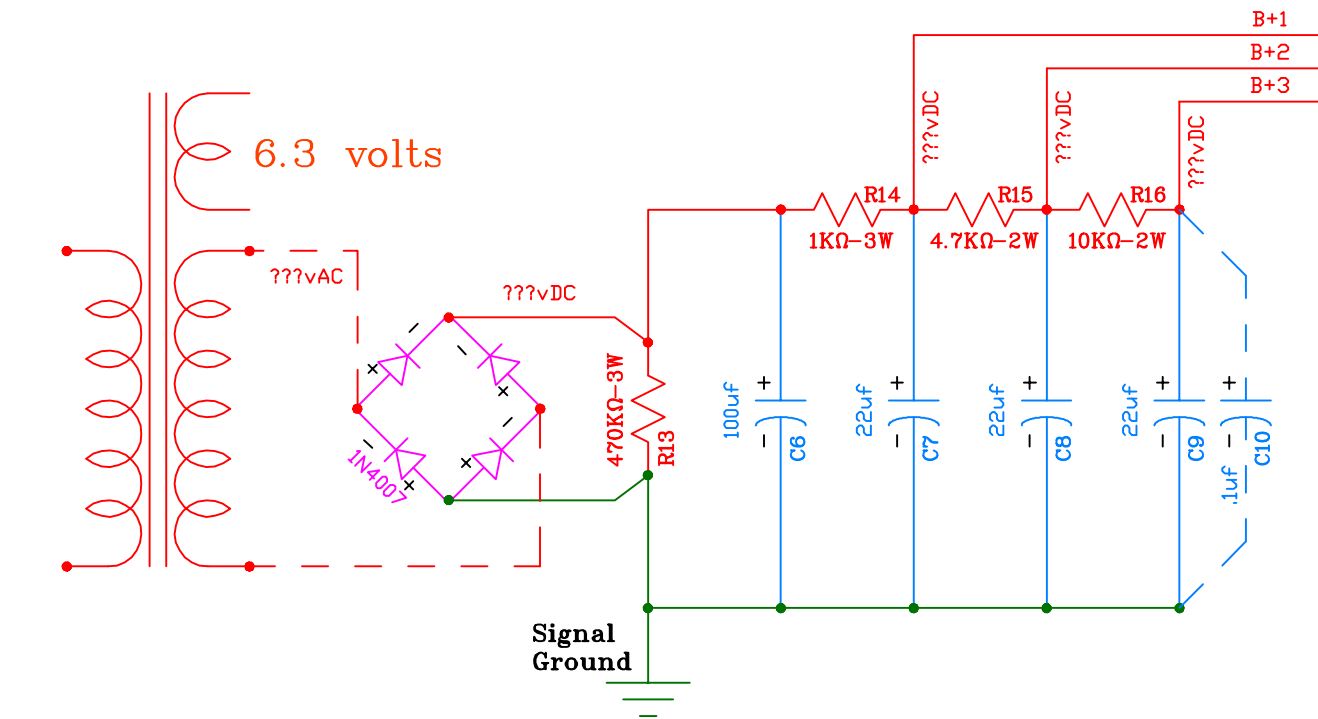
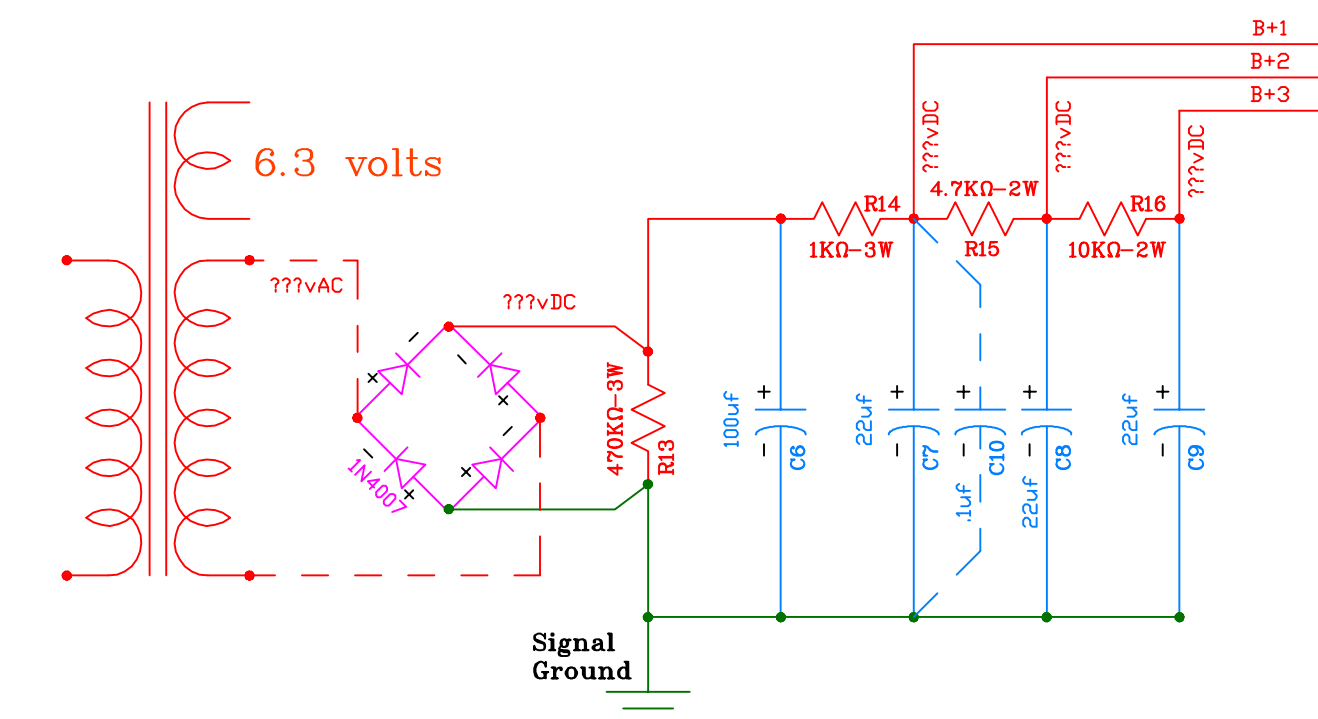
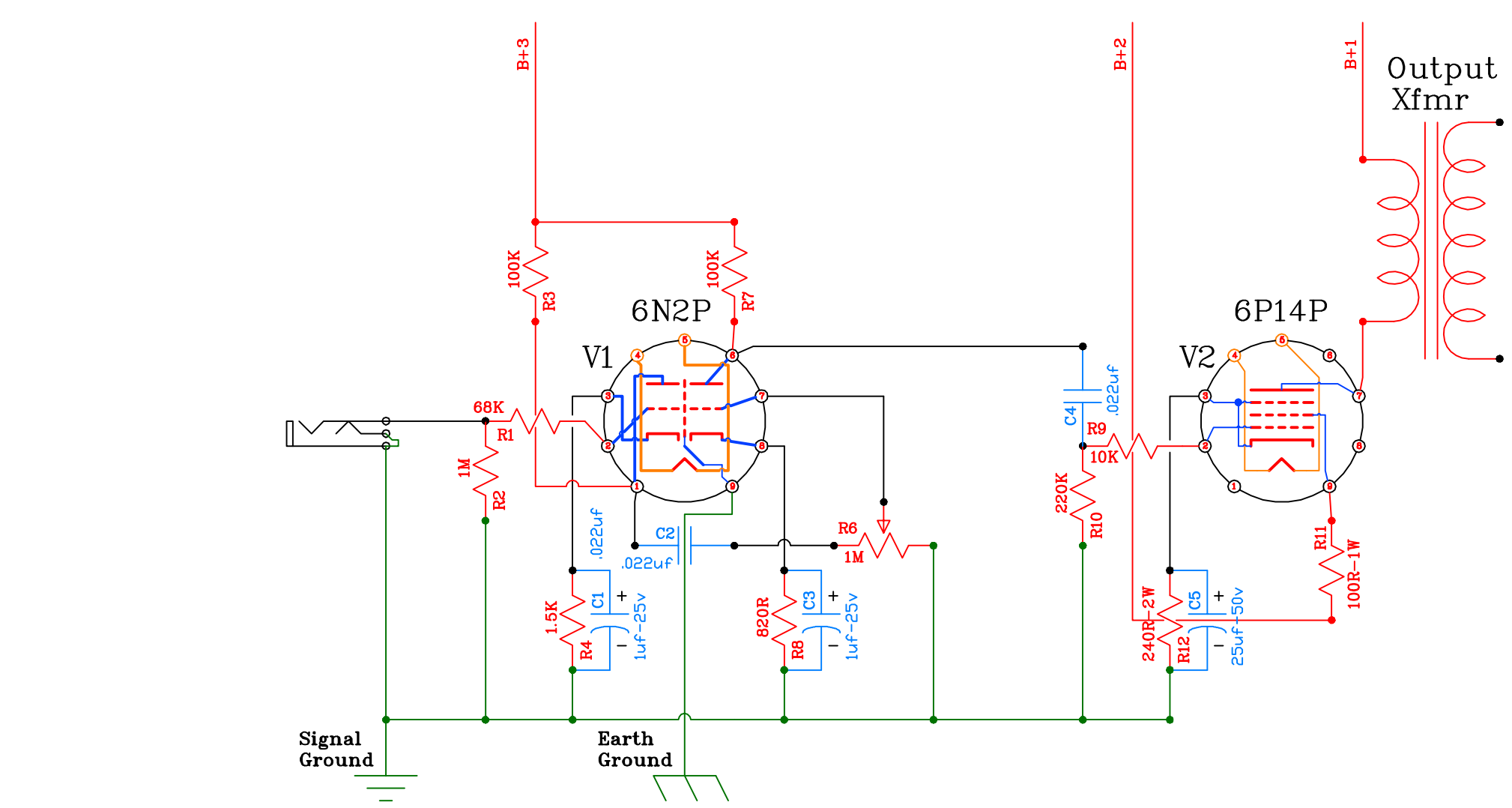
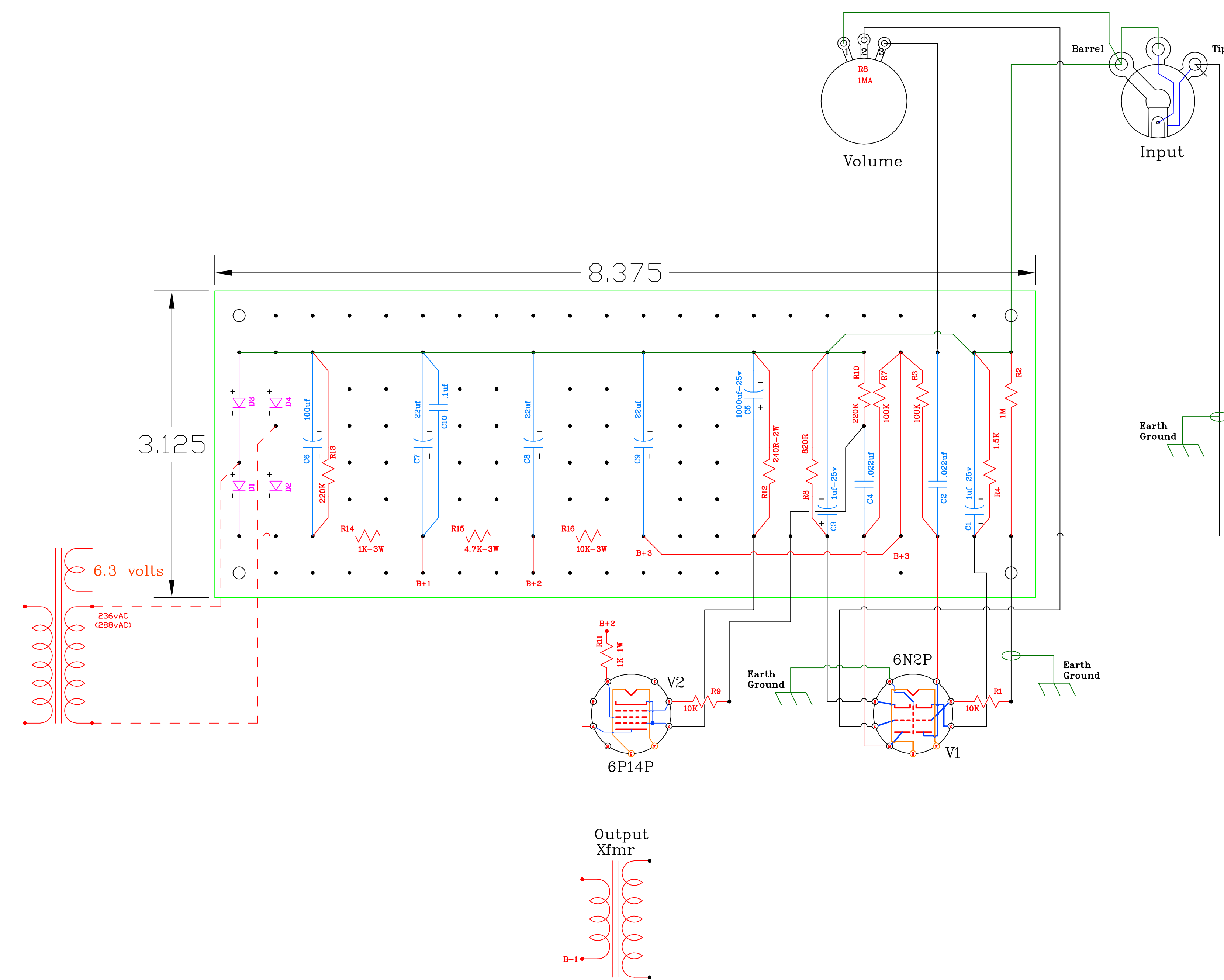
*

Jack Hester
Amplifier Drawings

REV	DATE	DRWN BY	CHKD BY	APPD BY	DESCRIPTION
D	08Jun14	AJH			Improve Layout
C	07Jun14	AJH			Layout 1rst Draft
B	06Apr14	AJH			Cleanup
A	30Mar14	AJH			Initial Dwg

PROJECT NUMBER	VENDOR/CLIENT DWG. NO.	REV.
001	SM-IV	D

Sonitus Minor IV (Small Sound)



HBP Mods

*

Jack Hester
Amplifier Drawings

REV	DATE	DRWN BY	CHKD BY	APPD BY	DESCRIPTION
E	08Jun14	AJH			HBP Layout
D	08Jun14	AJH			Improve Layout
C	07Jun14	AJH			Layout 1rst Draft
B	06Apr14	AJH			Cleanup
A	30Mar14	AJH			Initial Dwg

PROJECT NUMBER	VENDOR/CLIENT DWG. NO.	REV.
001	SM-IV	E

Sonitus Minor - BOM

<u>Value</u>	<u>Component</u>	<u>Part Number</u>	<u>Type</u>	<u>Source</u>
10K	R1	71-CCF60-10K-E3	Metal Film	"
1M	R2	594-5073NW1M000J	Metal Film	Mouser
100K	R3	594-5073NW100K0J	Metal Film	"
1.5K	R4	71-CCF60-1.5K-E3	Metal Film	"
91K	R5	594-5073NW91K00J	Metal Film	"
1M-A Pot	R6	652-PDB241GTR02105A2	Alpha / CTS	"
100K	R7	594-5073NW100K0J	Metal Film	"
820R	R8	594-5073NW820R0J	Metal Film	"
10K	R9	71-CCF60-10K-E3	Metal Film	"
220K	R10	594-5073NW220K0J	Metal Film	"
1K	R11	71-CCF60-1K-E3	Metal Film	"
240R-3W	R12	594-5093NW240R0J	Metal Film	"
220K	R13	594-5073NW220K0J	Metal Film	"
1K-3W	R14	594-5093NW1K000J	Metal Film	"
4.7K-3W	R15	594-5093NW4K700J	Metal Film	"
10K-3W	R16	71-CPF310K000FKE14	Metal Film	"

1uf-25v Elec	C1	598-NLW1-25	Cornell Dubilier	"
.022uf	C2	539-150223J630DB	Cornell Dubilier	"
1uf-25v Elec	C3	598-NLW1-25	Cornell Dubilier	"
.022uf	C4	539-150223J630DB	Cornell Dubilier	"
1000uf-25v Elec	C5	594-2222-138-16102	Vishay/Sprague	"
100uf-450v Elec	C6	75-TVA1718-E3	Vishay/Sprague	"
22uf-450v Elec	C7	594-2222-042-81229	Vishay/Sprague	"
22uf-450v Elec	C8	594-2222-042-81229	Vishay/Sprague	"
22uf-450v Elec	C9	594-2222-042-81229	Vishay/Sprague	"
.1uf	C10	539-150104J630FE	Cornell Dubilier	"

1N4007	D1	625-RGP10M-E3/73	Vishay Semiconductors	"
1N4007	D2	625-RGP10M-E3/73	Vishay Semiconductors	"
1N4007	D3	625-RGP10M-E3/73	Vishay Semiconductors	"
1N4007	D4	625-RGP10M-E3/73	Vishay Semiconductors	"