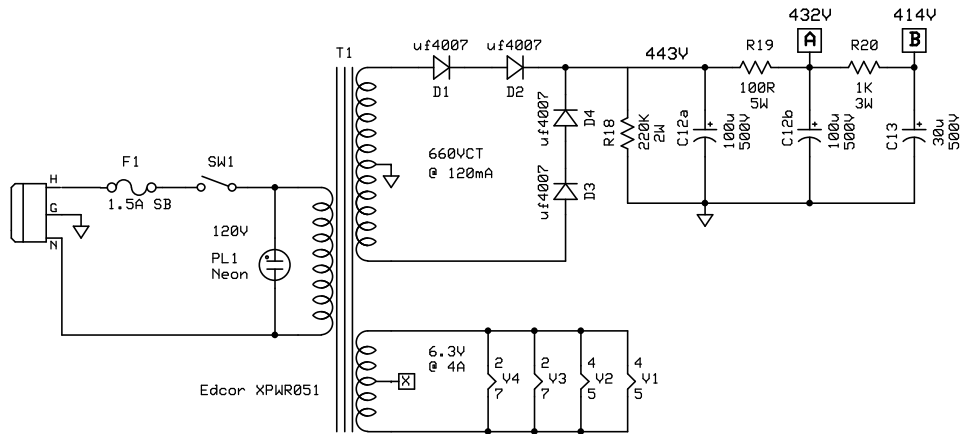


Tube Voltage Chart

	V1	V2	V3	V4
1	g1	g1	30	30
2	n/c	n/c	fil	fil
3	1.26	1.06	425	426
4	fil	fil	409	409
5	fil	fil	g1	g1
6	n/c	n/c	n/c	n/c
7	77	106	fil	fil
8	79	138	30	30
9	1.26	1.06	n/a	n/a



C12 is 100uF/100uF 500V dual section 1.375" can.
 All resistors 1W carbon film unless otherwise noted..
 All coupling caps are 600V.