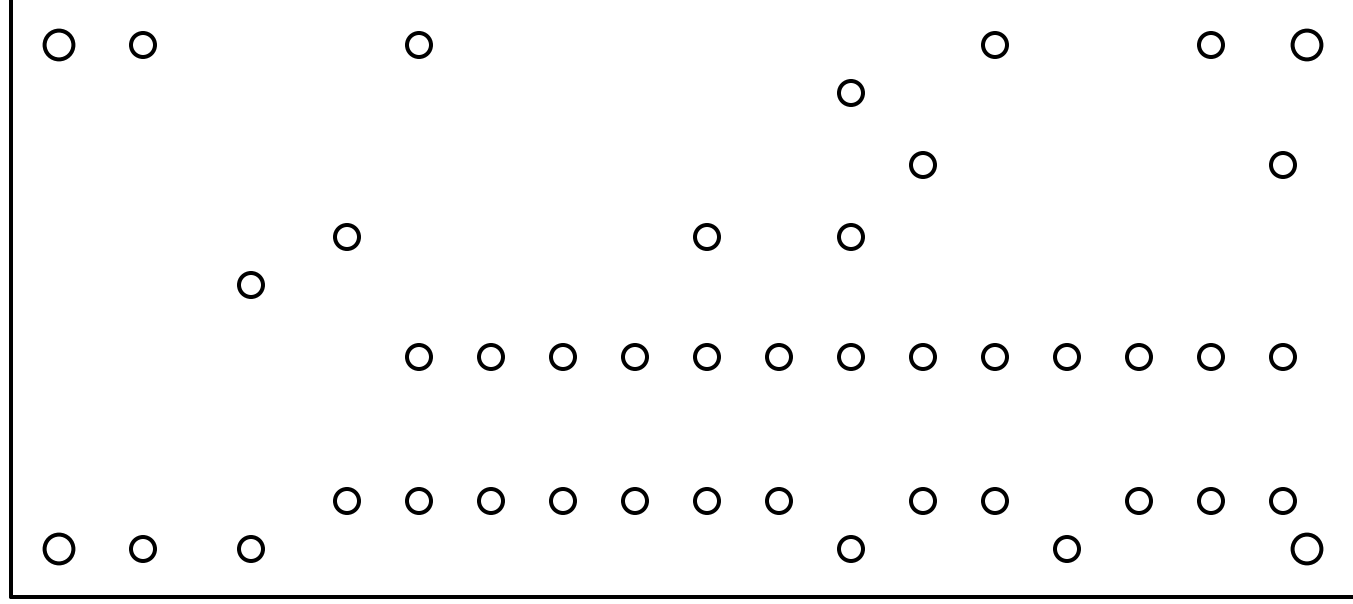
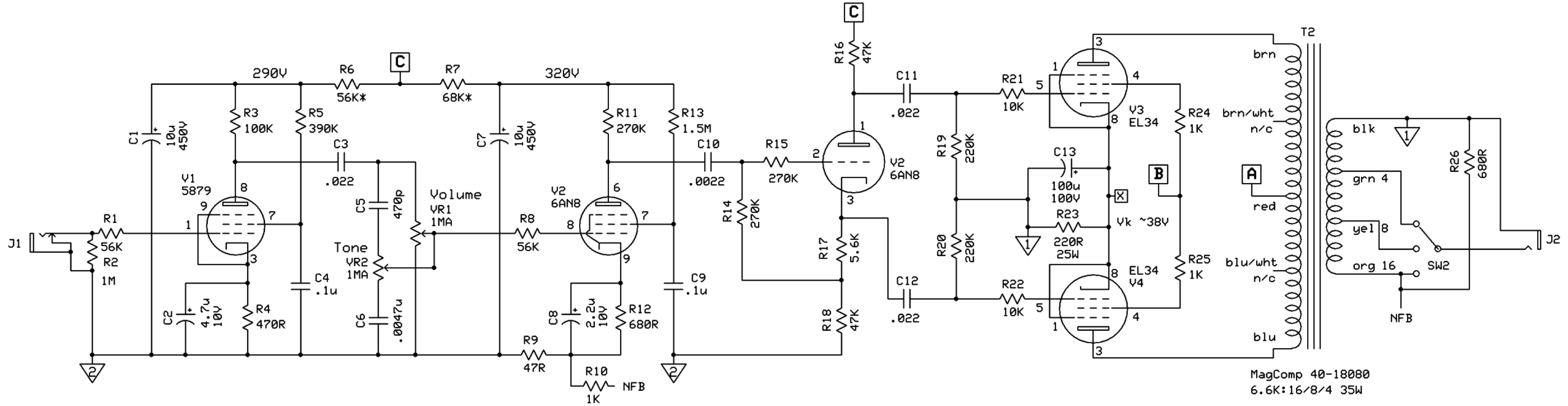


Tone Volume Input

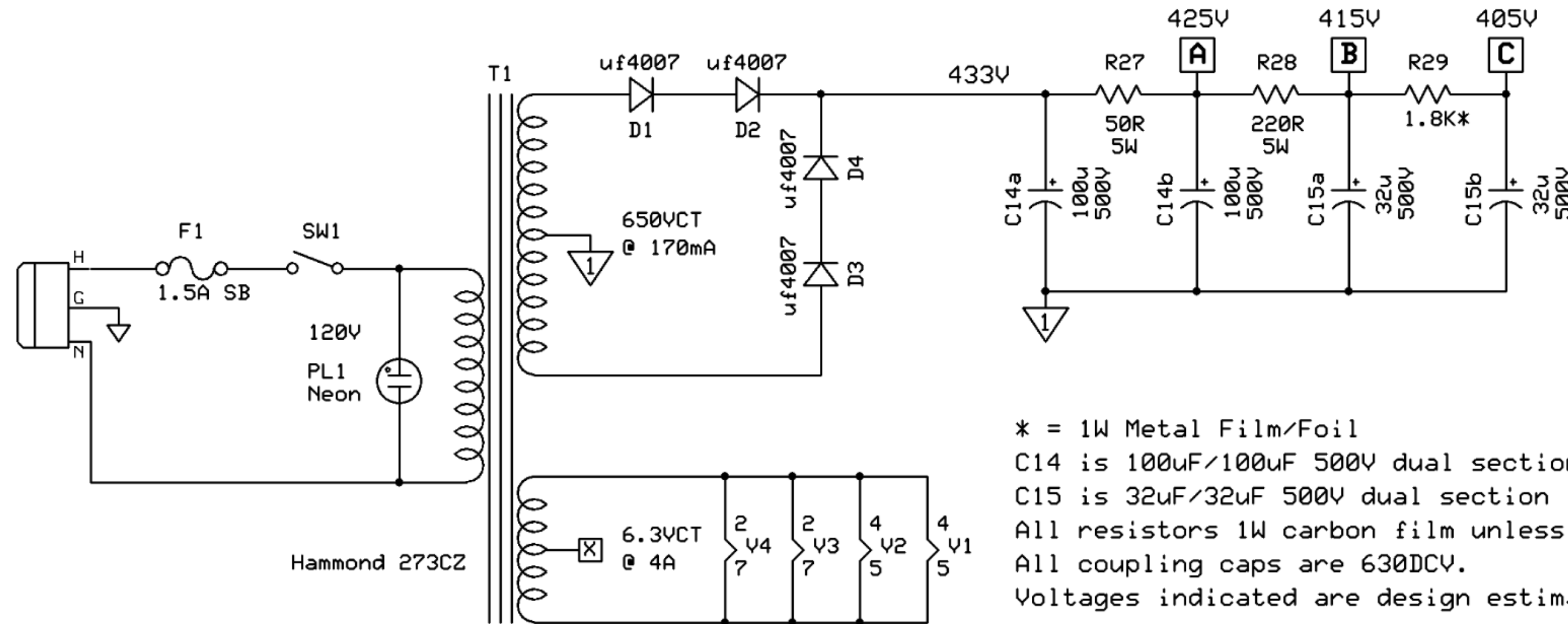
| | | | | |
|-------------------------------|--|-------------------------|--------------|-----------------|
| S.T.A.C. Austin, TX | | FSCM NO 20140918002 | | REV A |
| | | SIZE C | SCALE 1:1 | SHEET 2 OF 6 |
| Draft by: Pete Mitchellree | | Casino El Camino Wiring | | |



| | | | | | |
|----------------------------|--|-----------------------------------|---------|-----------------------|----------|
| | | S.T.A.C. | | Austin, TX | |
| | | <u>Casino El Camino Board Fab</u> | | | |
| Draft by: Pete Mitcheltree | | SIZE C | FSCM NO | DWG NO 20140918004 | REV A |
| | | SCALE 1 : 1 | SAE | SHEET 4 OF 6 | |



MagComp 40-18080
6.6K:16/8/4 35W



* = 1W Metal Film/Foil
C14 is 100uF/100uF 500V dual section 1.375" can.
C15 is 32uF/32uF 500V dual section 1.375" can.
All resistors 1W carbon film unless otherwise noted.
All coupling caps are 630DCV.
Voltages indicated are design estimates.

Tube Voltage Chart

| | V1 | V2 | V3 | V4 |
|---|------|-----|-----|-----|
| 1 | g1 | 0 | 0 | 0 |
| 2 | n/c | g1 | fil | fil |
| 3 | 1.15 | 0 | 0 | 0 |
| 4 | fil | fil | 0 | 0 |
| 5 | fil | fil | g1 | g1 |
| 6 | n/c | 0 | n/c | n/c |
| 7 | 90 | 0 | fil | fil |
| 8 | 91 | g1 | 0 | 0 |
| 9 | 1.15 | 0 | n/a | n/a |

